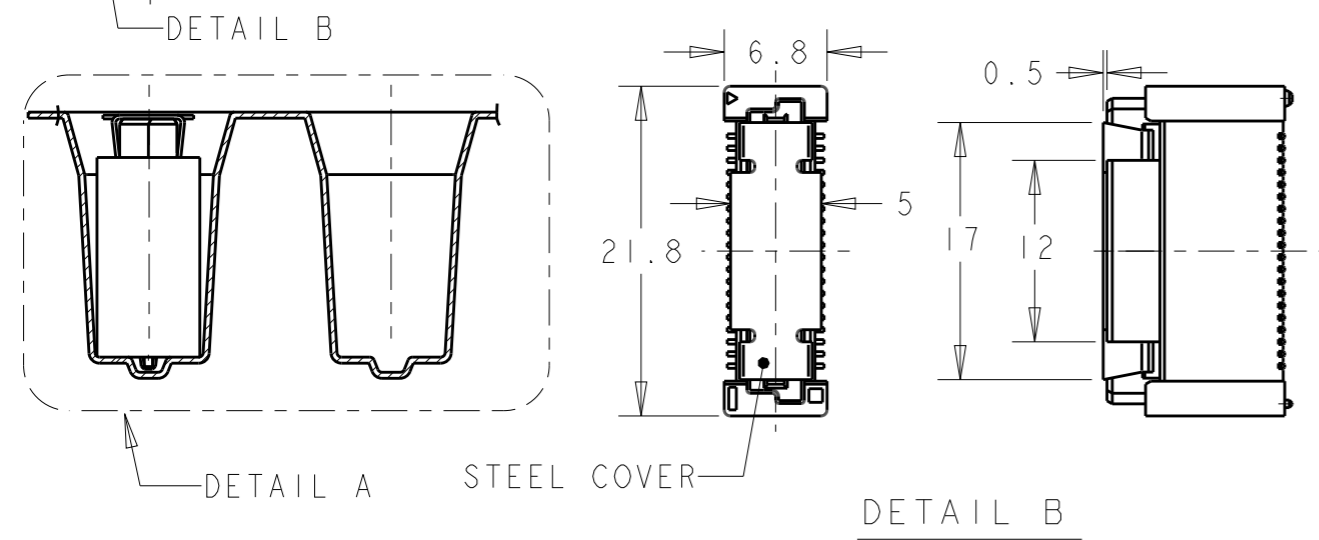
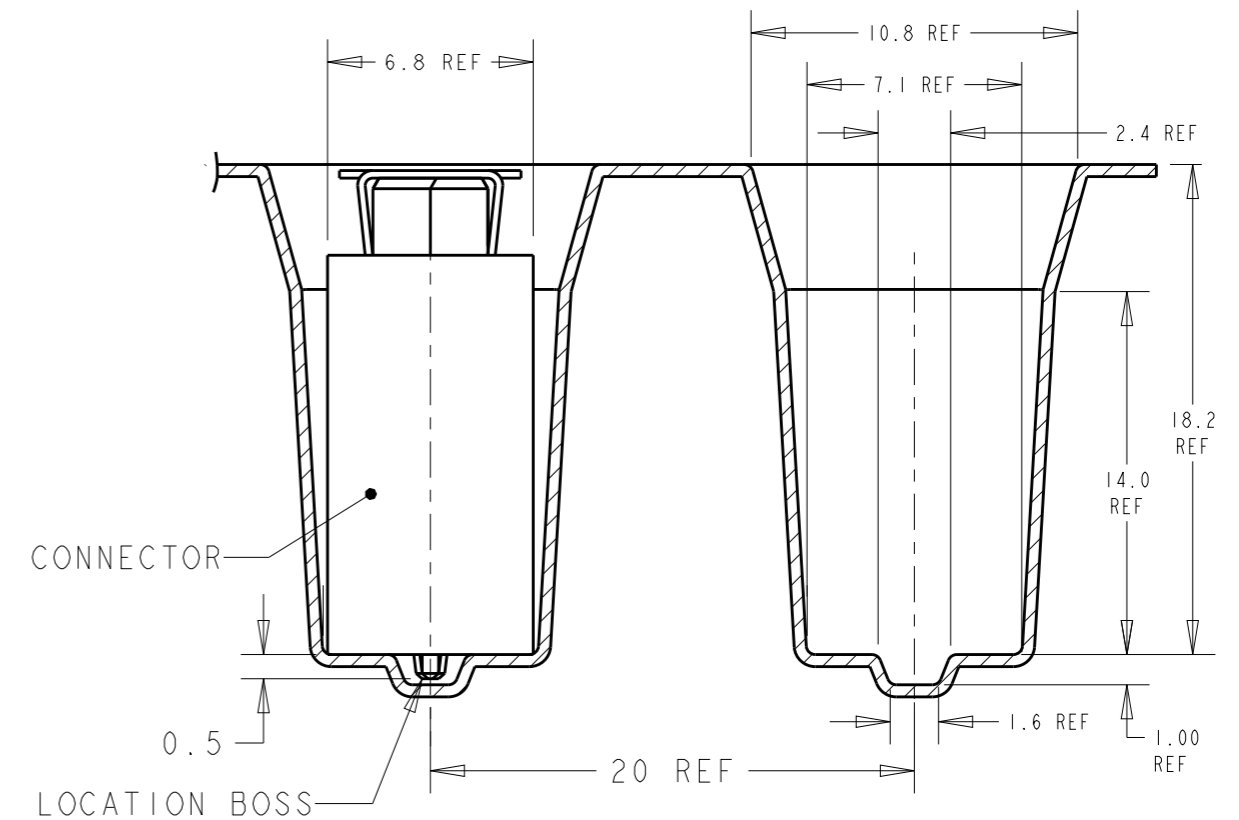
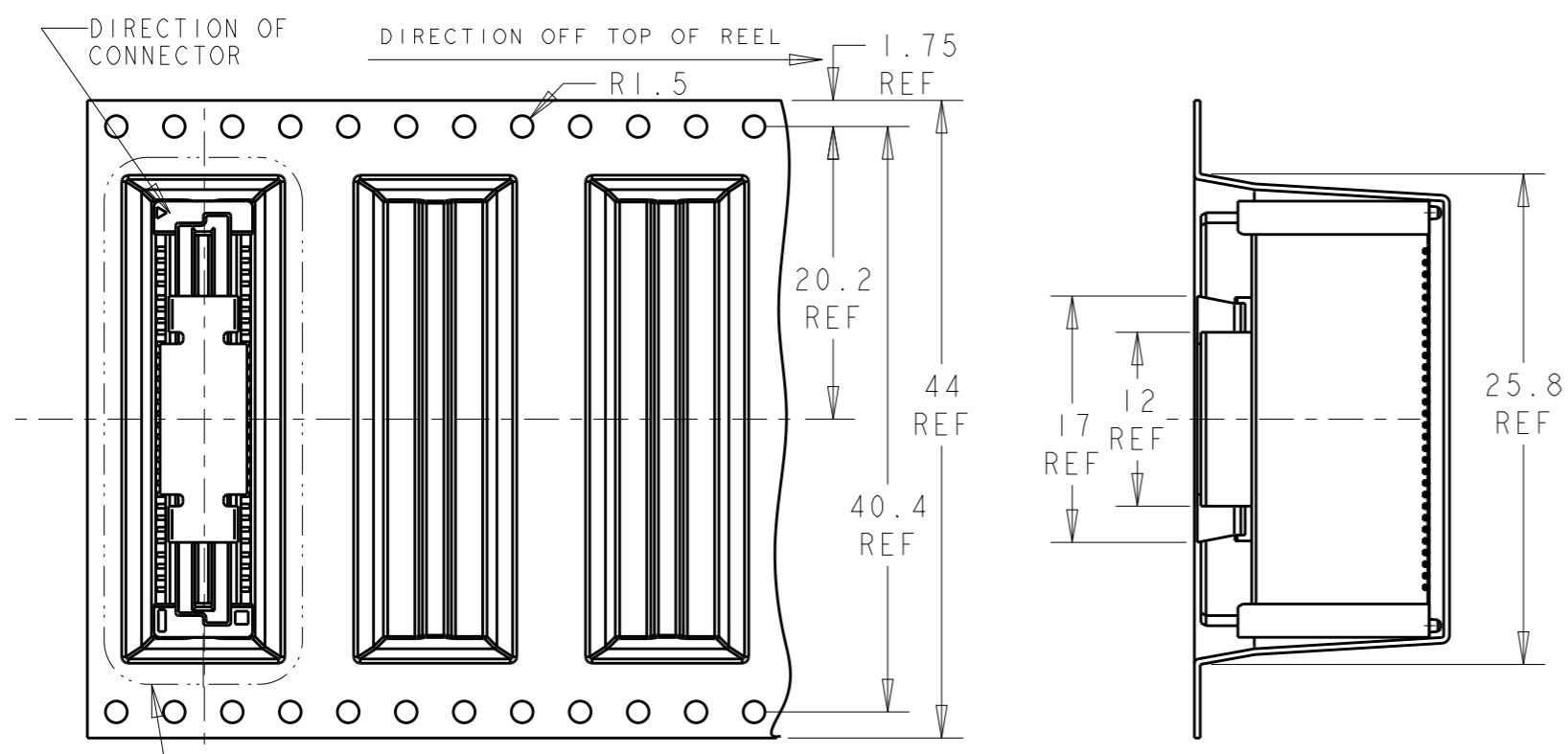


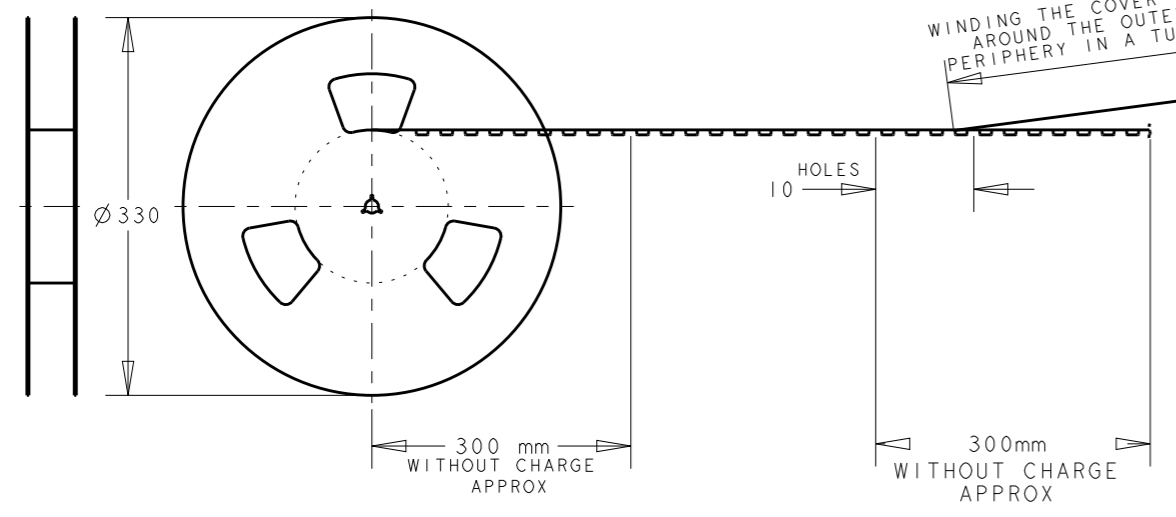
THIS DRAWING IS UNPUBLISHED. RELEASED FOR PUBLICATION 20
 © COPYRIGHT 20 BY - ALL RIGHTS RESERVED.

LOC	DIST	REVISIONS			
P	LTR	DESCRIPTION	DATE	DWN	APVD
DY	-	A REVISED PER	21FEB2012	I.T	S.Y



- NOTES:
- 1 MATERIALS:
 HOUSING: L.C.P (HIGH TEMP THERMO PLASTIC) UL 94V-0, NATURAL.
 CONTACT: COPPER ALLOY.
 - 2 FINISH:
 ENGAGEMENT AREA: 0.00076 MIN GOLD
 SOLDERING AREA: 0.002 MIN MATTE TIN
 UNDERCOAT: 0.0013 MIN NICKEL ALL OVER
 - 3. POSITION SERIES:
 SEE P/N TABLE ON SHEET 2.
 - 4. CONNECTOR MATED STACKED HEIGHT IS COMBINATION OF PLUG HEIGHT "Y" AND REC HEIGHT "X", LESS 5 mm.
 STACKED HEIGHT = Y + X - 5

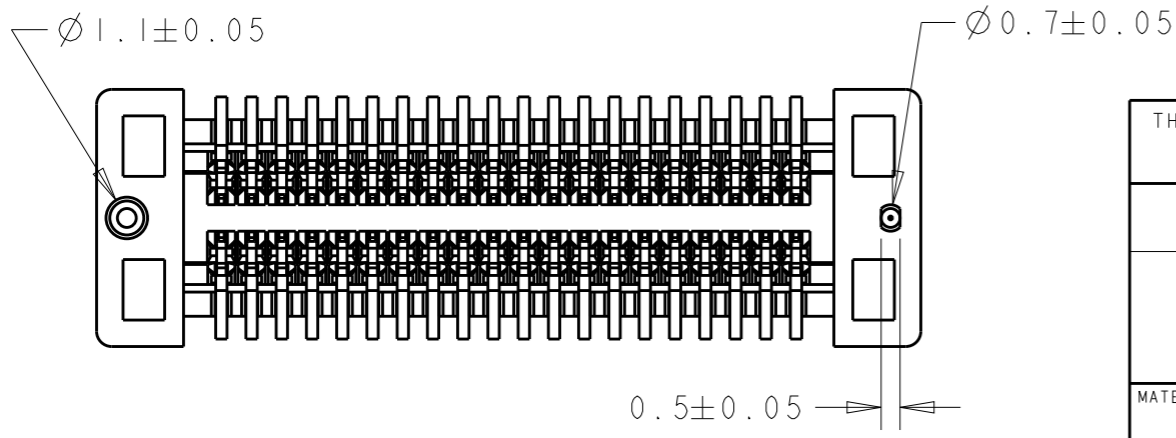
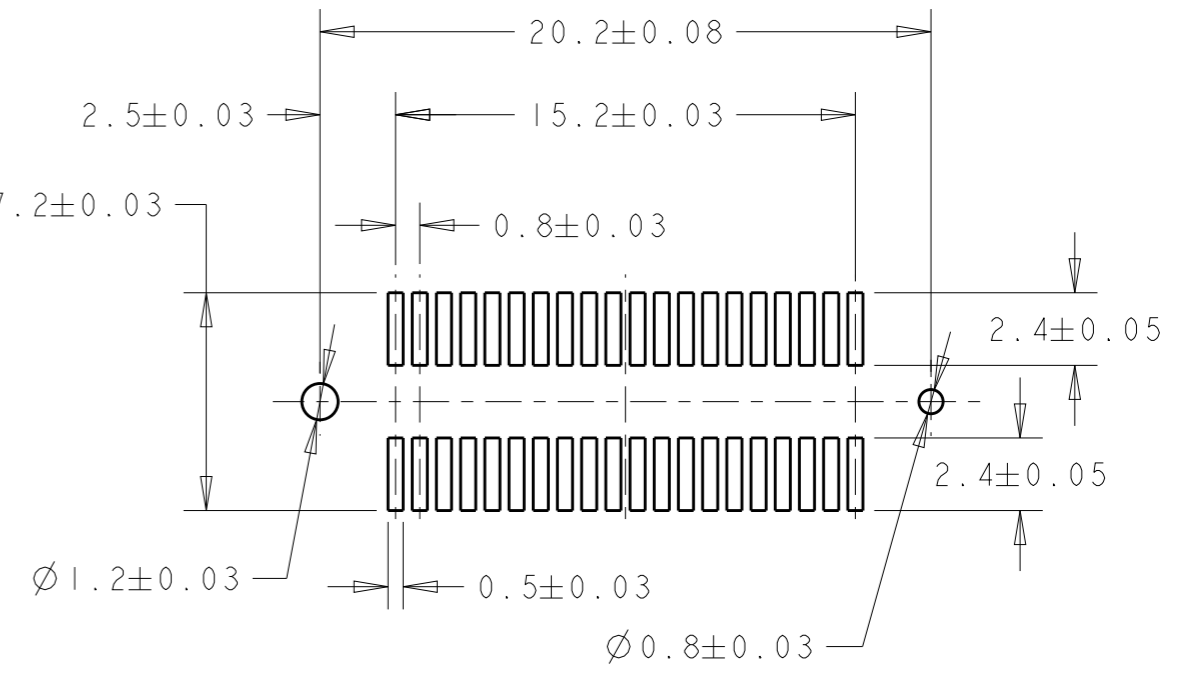
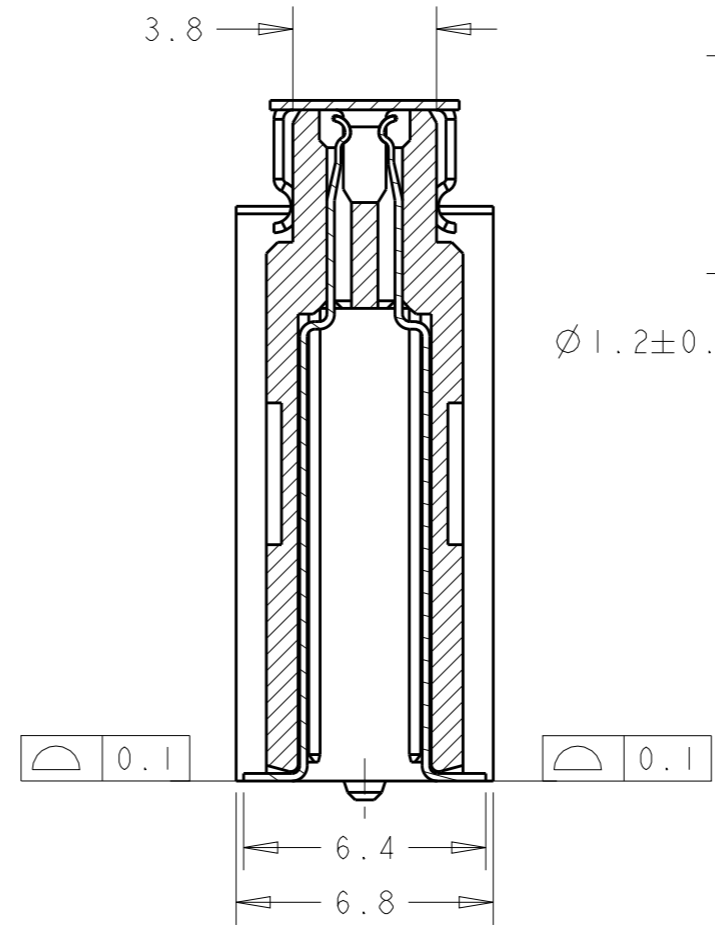
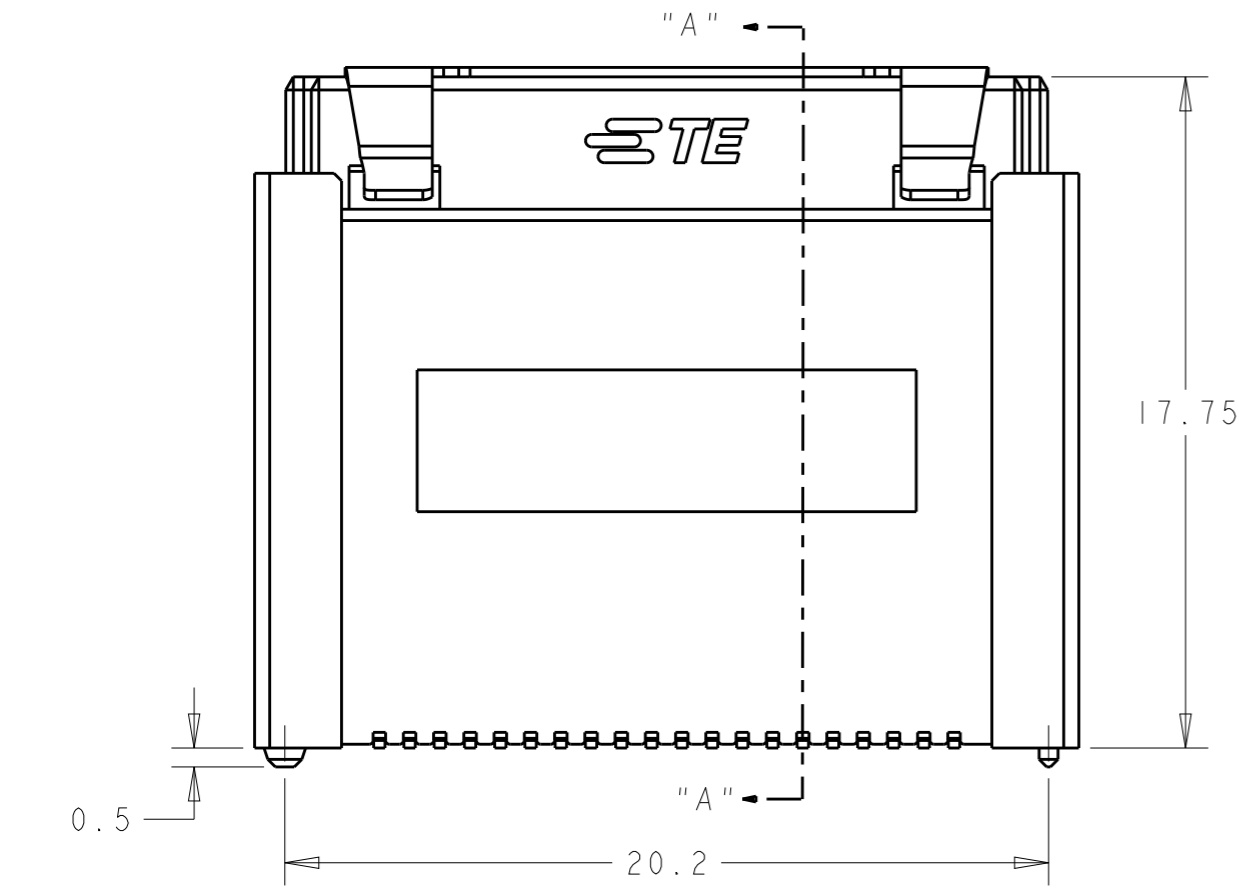
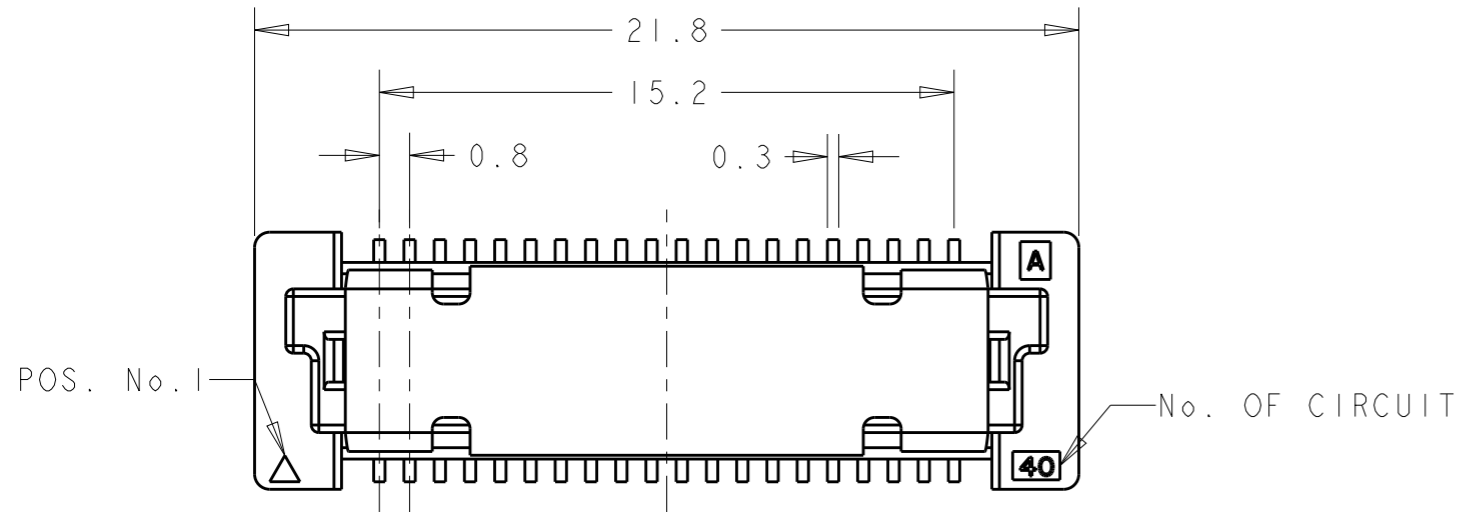
WINDING THE COVER TAPE AROUND THE OUTER PERIPHERY IN A TURN.



THIS DRAWING IS A CONTROLLED DOCUMENT.		DWN IVAN TIAN 21FEB2012	TE Connectivity	
DIMENSIONS: mm		CHK WENKE HE 29MAR2012		
TOLERANCES UNLESS OTHERWISE SPECIFIED:		APVD STEVEN YAO 29MAR2012	NAME FH 0.8mm BTB CONNECTOR RECEPTACLE 19mm HEIGHT WITH STEEL COVER, ON EMBOSS TAPE	
0 PLC ±-		PRODUCT SPEC 108-5390	SIZE A3	
1 PLC ±0.30		APPLICATION SPEC 114-5254	CAGE CODE 00779	DRAWING NO C-2199039
2 PLC ±0.25		WEIGHT -	RESTRICTED TO -	
3 PLC ±0.20		SCALE 1:1		
4 PLC ±-		SHEET 1 OF 2		
ANGLES ±3°		REV A		
MATERIAL		Customer Drawing		
FINISH SEE P/N TABLE				

THIS DRAWING IS UNPUBLISHED. RELEASED FOR PUBLICATION 20
 © COPYRIGHT 20 BY - ALL RIGHTS RESERVED.

LOC	DIST	REVISIONS			
P	LTR	DESCRIPTION	DATE	DWN	APVD
DY	-				



SECTION A - A

	100	40	4-2199039-0
FINISH	QTY	POS	P/N

THIS DRAWING IS A CONTROLLED DOCUMENT.		DWN	IVAN TIAN	21FEB2012	TE Connectivity NAME FH 0.8mm BTB CONNECTOR RECEPTACLE 19mm HEIGHT WITH STEEL COVER, ON EMBOSS TAPE	
DIMENSIONS: mm		CHK	WENKE HE	29MAR2012		
TOLERANCES UNLESS OTHERWISE SPECIFIED:		APVD	STEVEN YAO	29MAR2012		
0 PLC ±- 1 PLC ±0.30 2 PLC ±0.25 3 PLC ±0.20 4 PLC ±- ANGLES ±3°		PRODUCT SPEC	108-5390			
MATERIAL	FINISH	APPLICATION SPEC	114-5254	WEIGHT	-	
	SEE P/N TABLE	Customer Drawing	SCALE	1:1	SHEET 2 OF 2	
					RESTRICTED TO	-
					REV	A