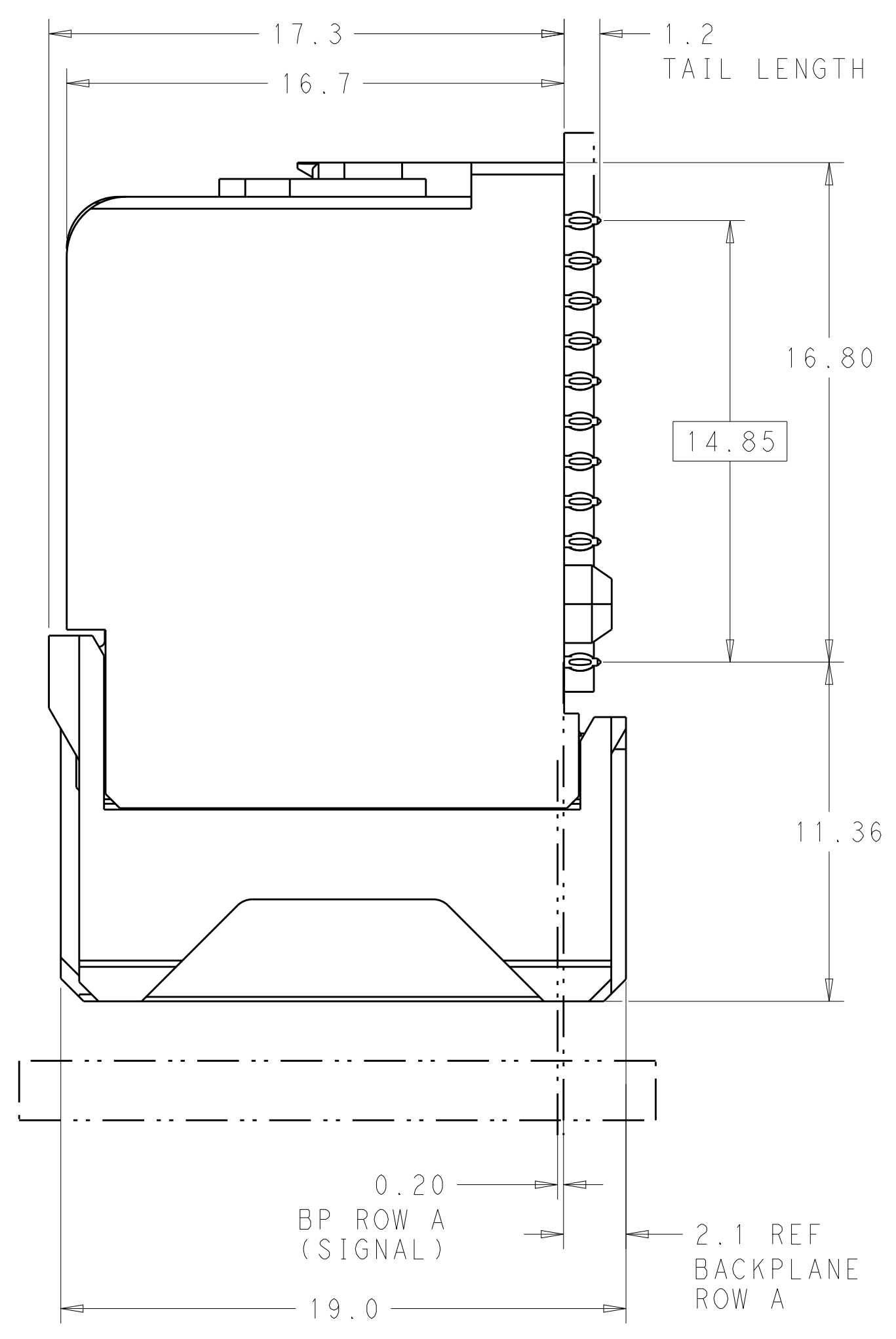
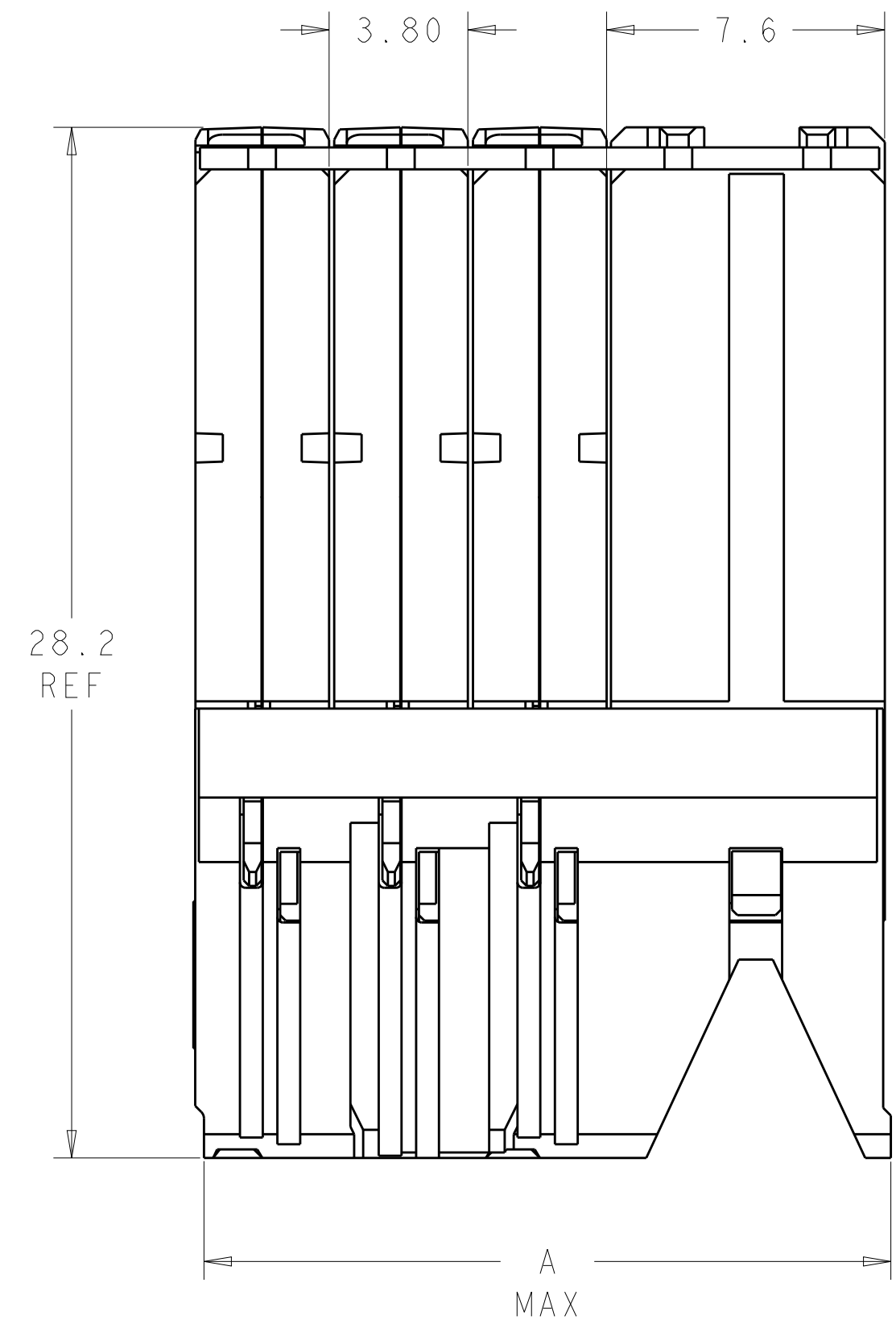
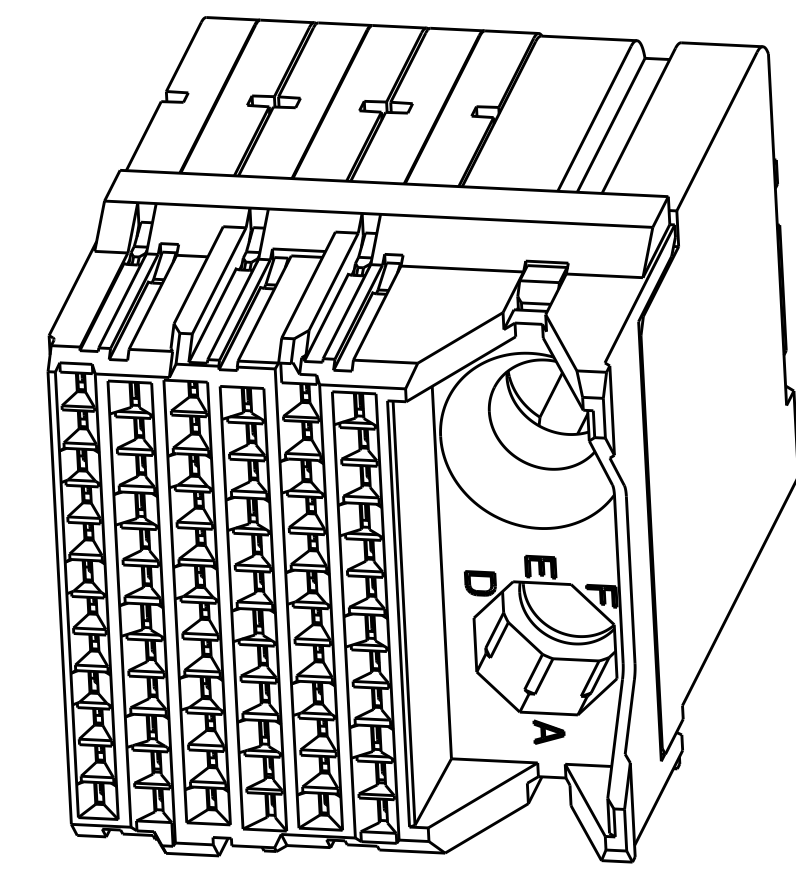


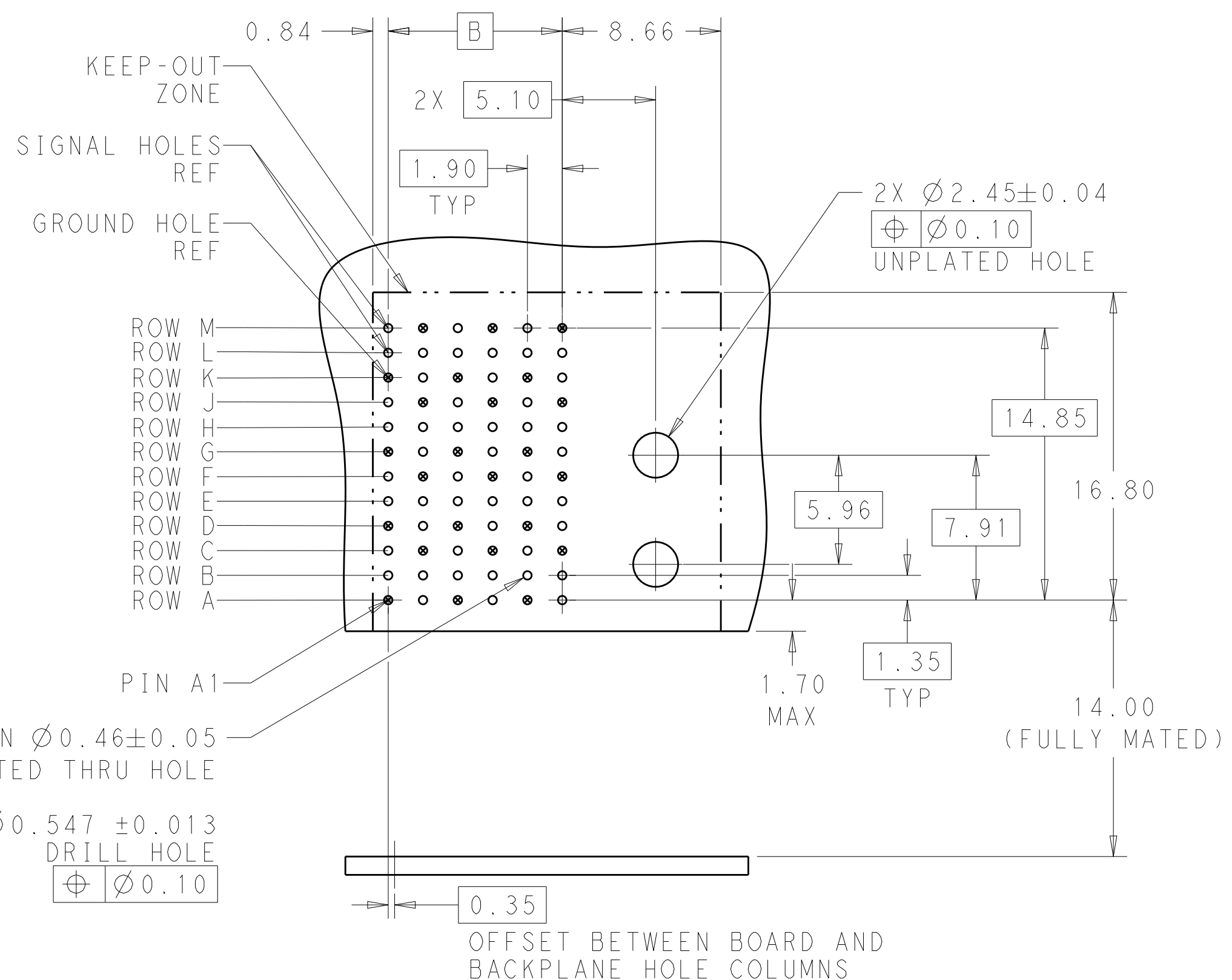
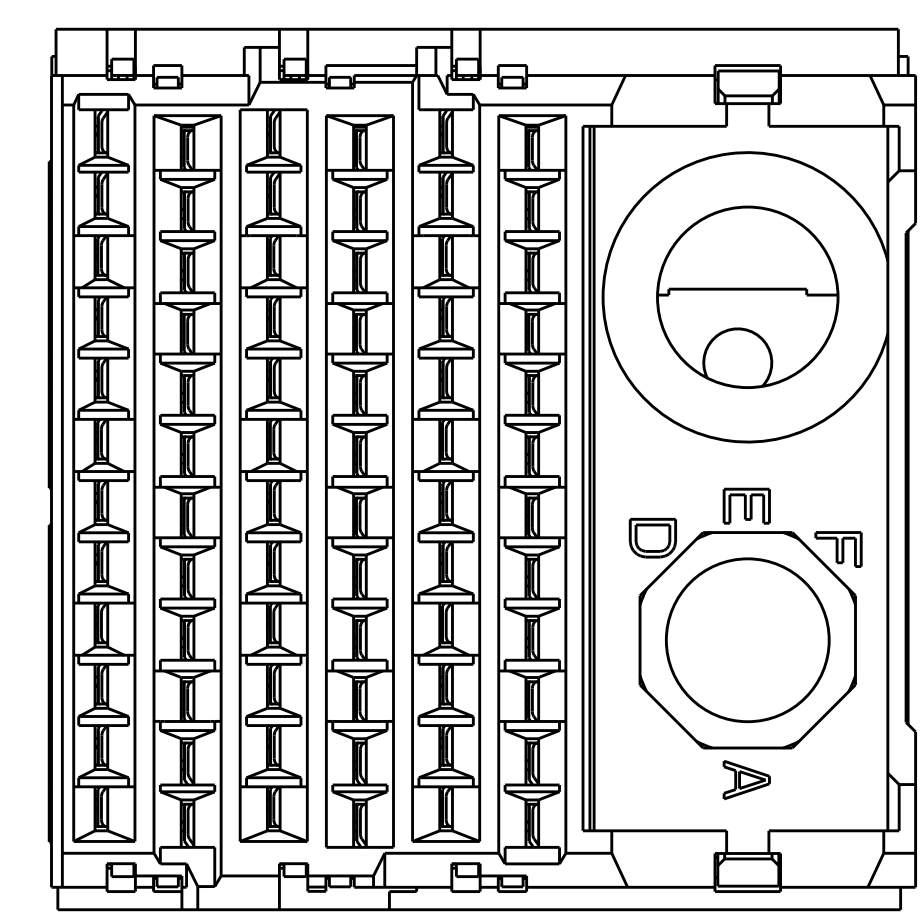
LOC	DIST	REVISIONS			
P	LTN	DESCRIPTION	DATE	DWN	APVD
A		REVISED PER ECO-15-003242	24MAR2015	AP	DD



1. MATERIAL:
HOUSING: LCP, GLASS FILLED, UL94V-0.
TERMINALS: HIGH PERFORMANCE COPPER ALLOY.
2. FINISH:
30μ" SELECTIVE GOLD IN CONTACT AREA. SELECTIVE TIN ON PCB TAILS, NICKEL OVERALL.
4. CONNECTORS SUPPLIED WITH MOUNTING SCREWS.



SCALE 4:1



12 HOLES PER COLUMN $\varnothing 0.46 \pm 0.05$ PLATED THRU HOLE
12 HOLES PER COLUMN $\varnothing 0.547 \pm 0.013$ DRILL HOLE
 $\varnothing 0.10$

RECOMMENDED PCB LAYOUT
MIN BOARD THICKNESS 1.0

KEY POSITION CHART	
	NONE

8-	H
7-	G
6-	F
5-	E
4-	D
3-	C
2-	B
1-	A
	NONE
X	KEY POSITION

KEYING TABLE

36.10	45.45	20	X-2198790-8
32.30	41.65	18	X-2198790-7
28.50	37.85	16	X-2198790-6
24.70	34.05	14	X-2198790-5
20.90	30.25	12	X-2198790-4
17.10	26.45	10	X-2198790-3
13.30	22.65	8	X-2198790-2
9.50	18.85	6	X-2198790-1
B	A	COLUMN SIZE	PART NUMBER (SEE KEYING TABLE FOR 'X')

REFER TO WWW.TE.COM FOR PRODUCT AVAILABILITY

THIS DRAWING IS A CONTROLLED DOCUMENT. DWG: R1RAN_H01_04DEC2012, CHK: D.DIXON_04DEC2012, APVD: D.DIXON_04DEC2012

TE Connectivity

IMPACT, 85 OHM, STANDARD, 4 PAIR PLUS, DAUGHTERCARD, RIGHT GUIDED, SIGNAL MODULE, 0.46 EYELET

SIZE: A1, CAGE CODE: 00779, DRAWING NO: 2198790, REV: A

Customer Drawing, SCALE: 6:1, SHEET: 1 OF 1