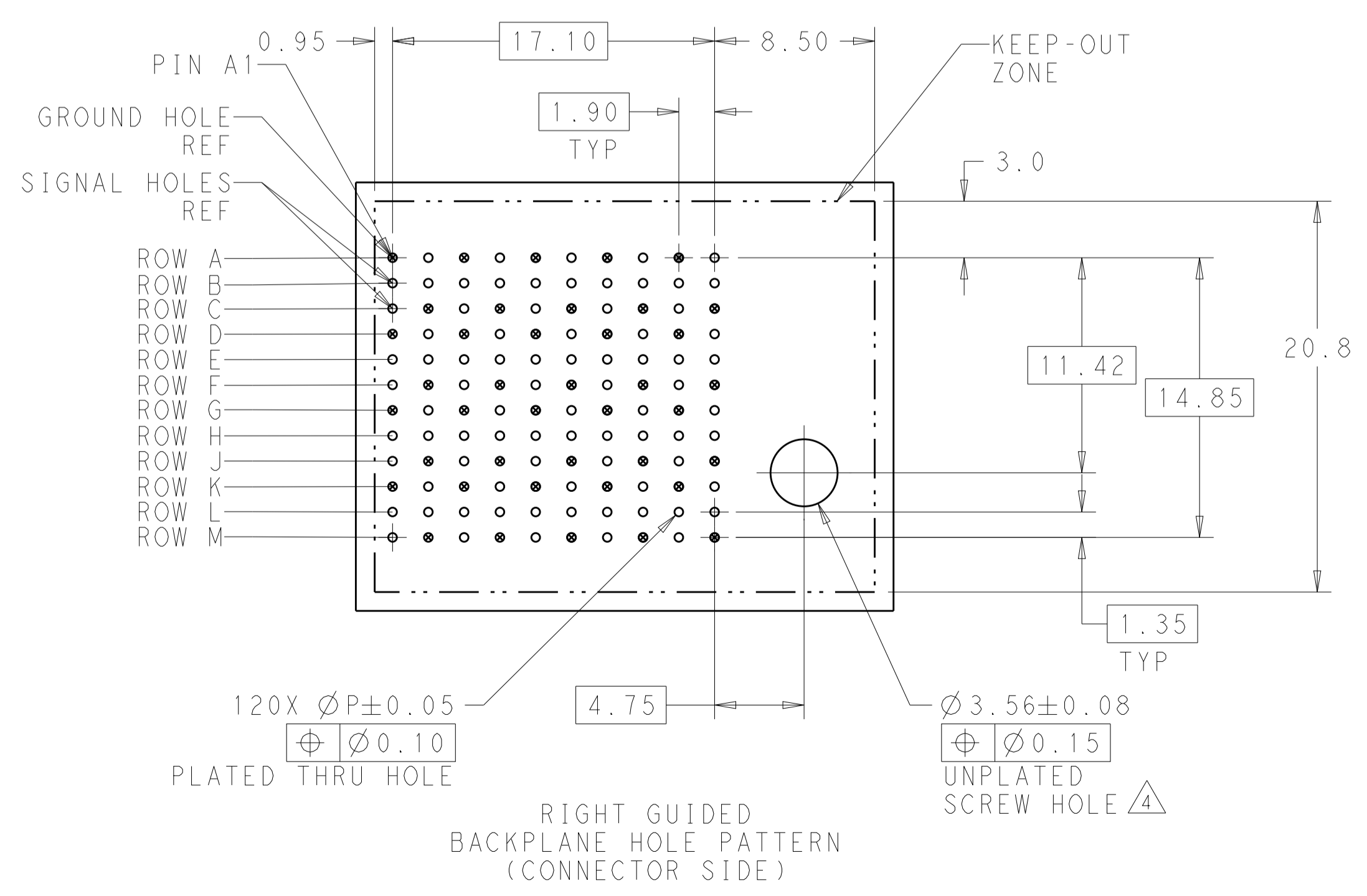
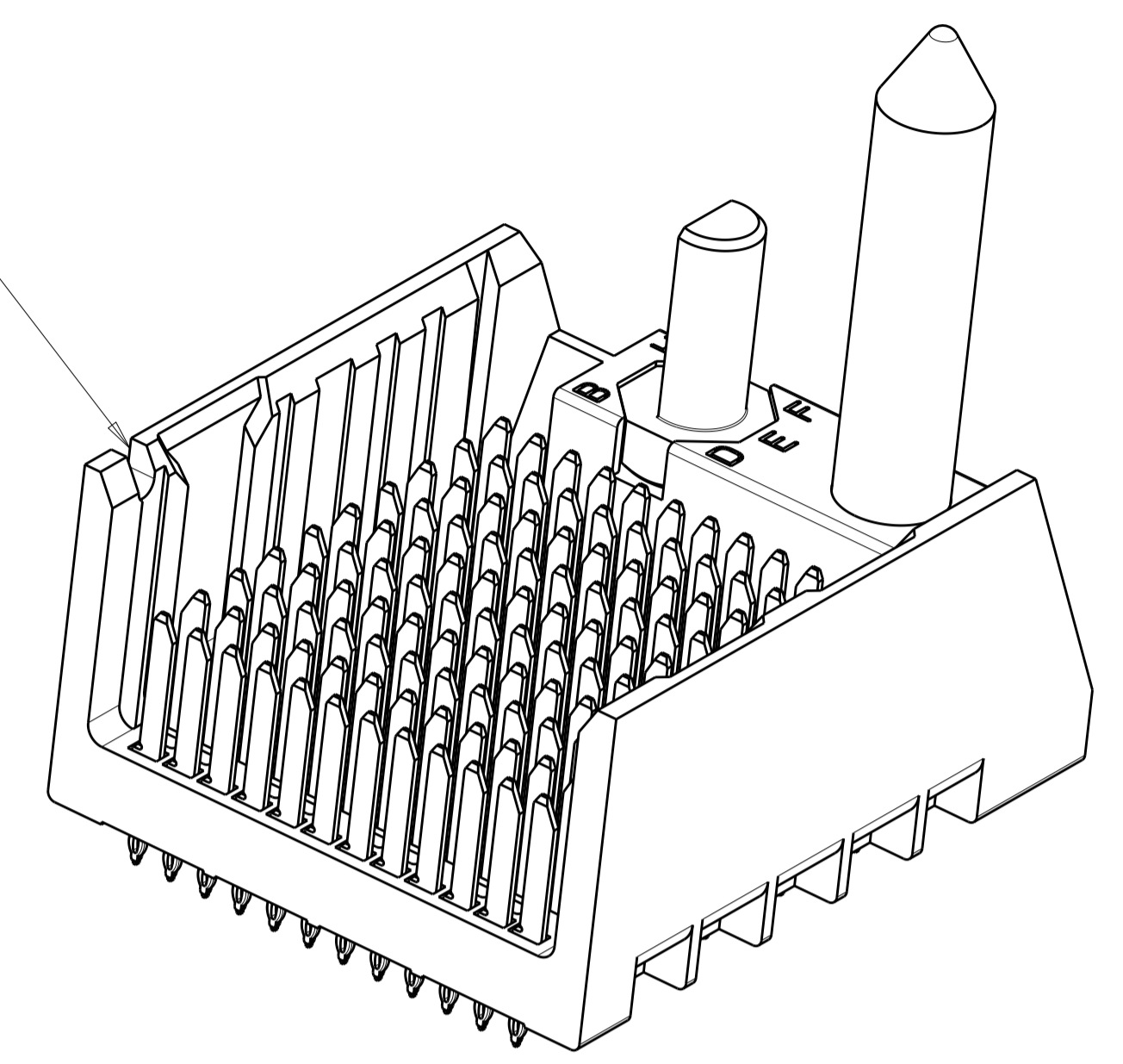
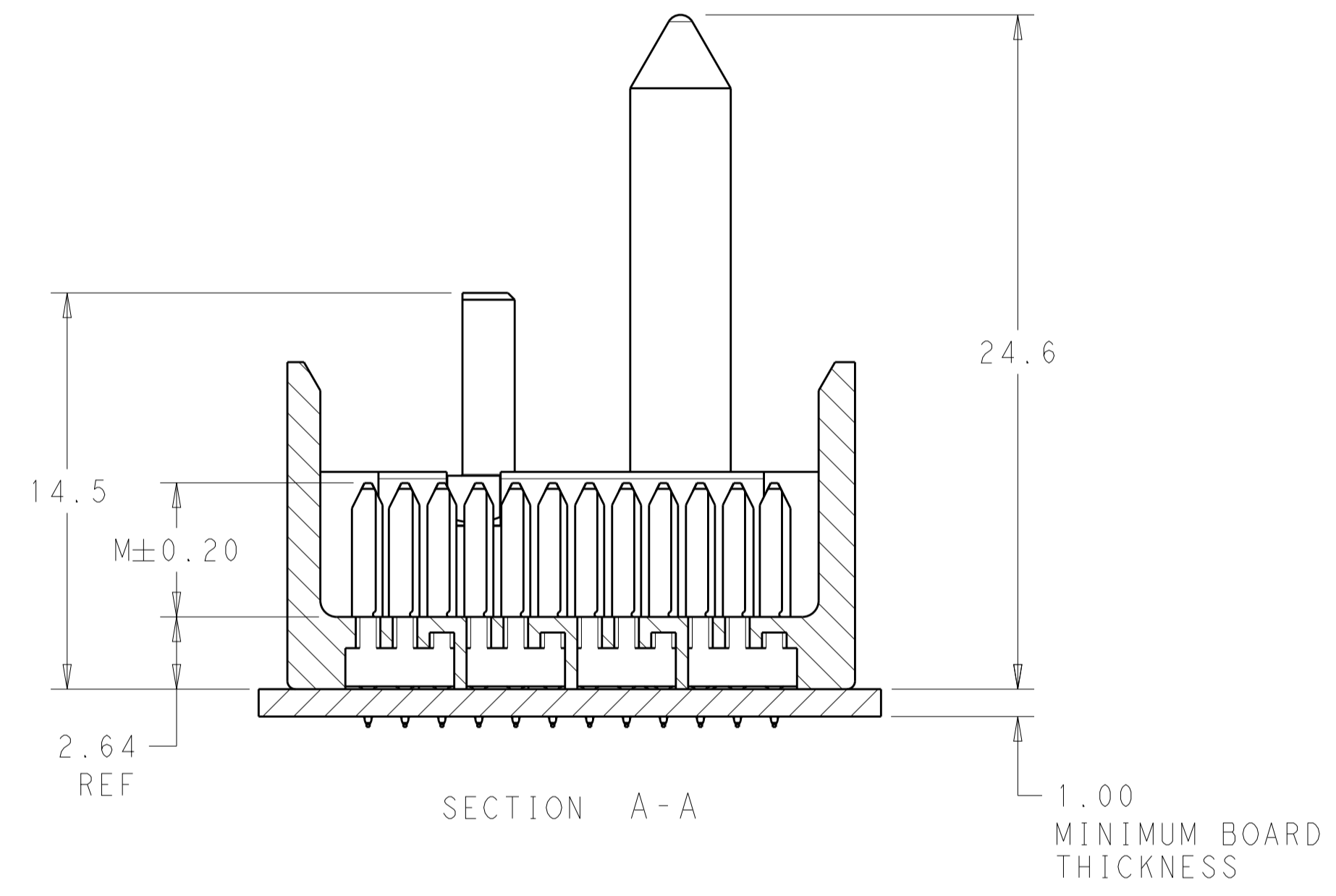
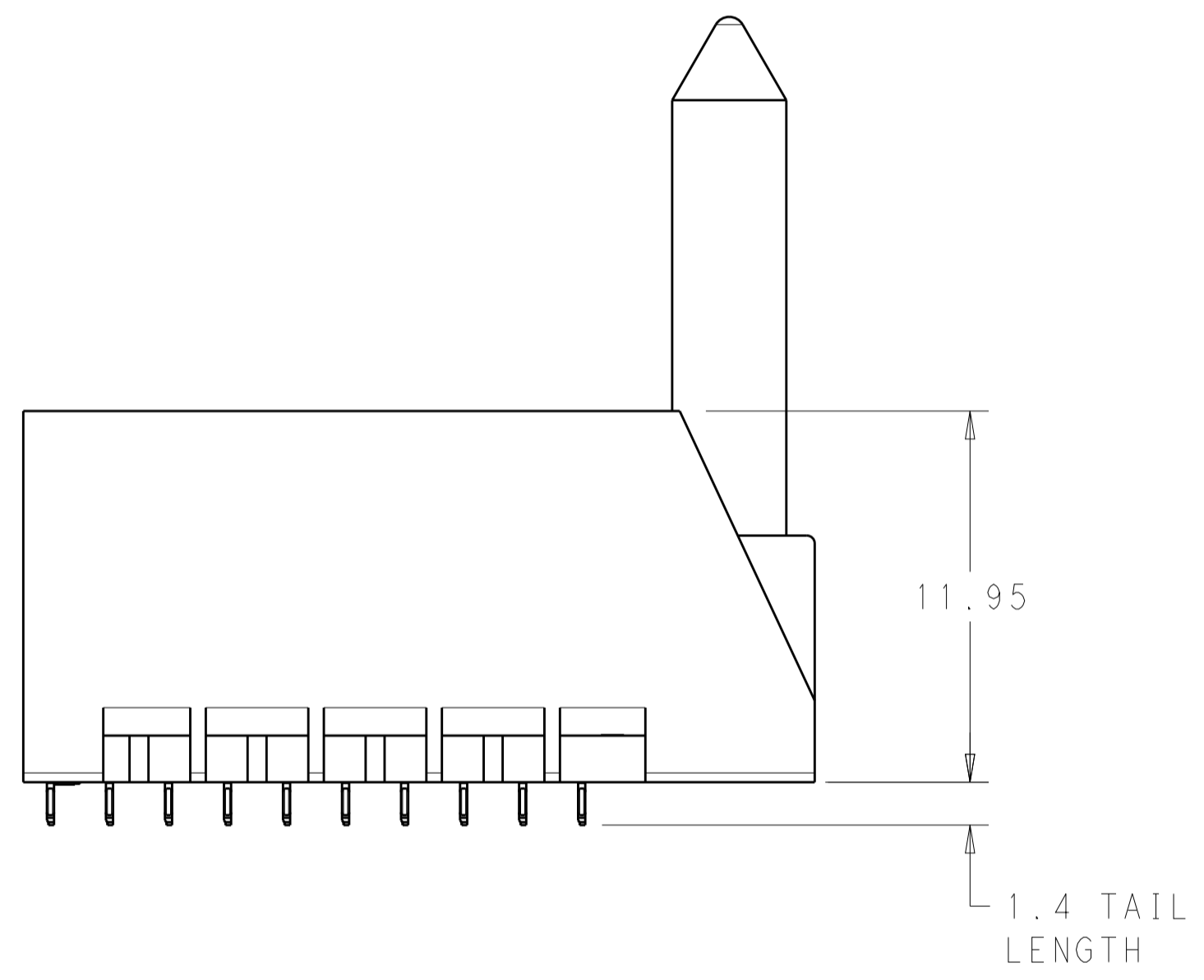
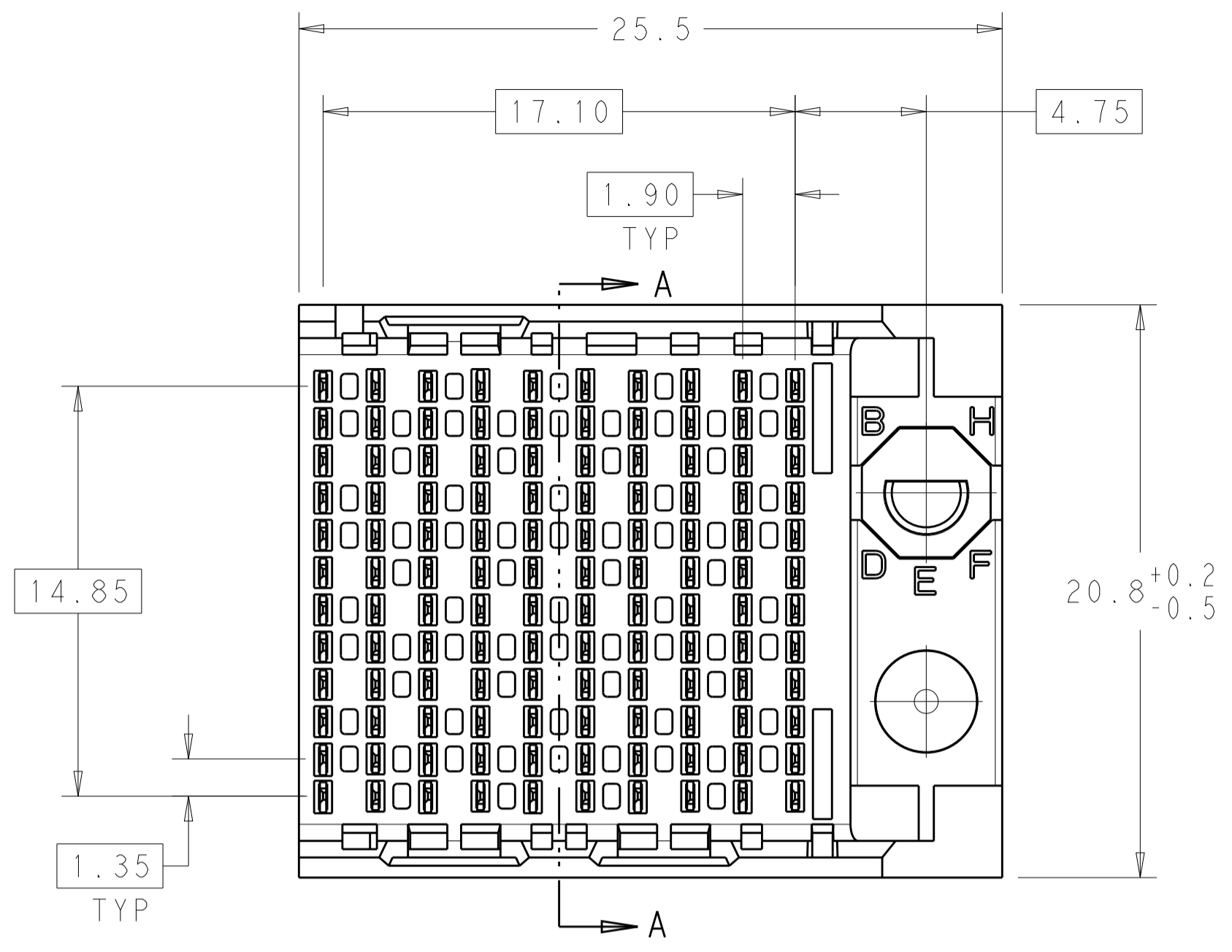


LOC		DIST		REVISIONS			
AD	00	P	LTH	DESCRIPTION	DATE	DWN	APVD
		A		REVISED PER ECO-15-003242	24MAR2015	AP	DD

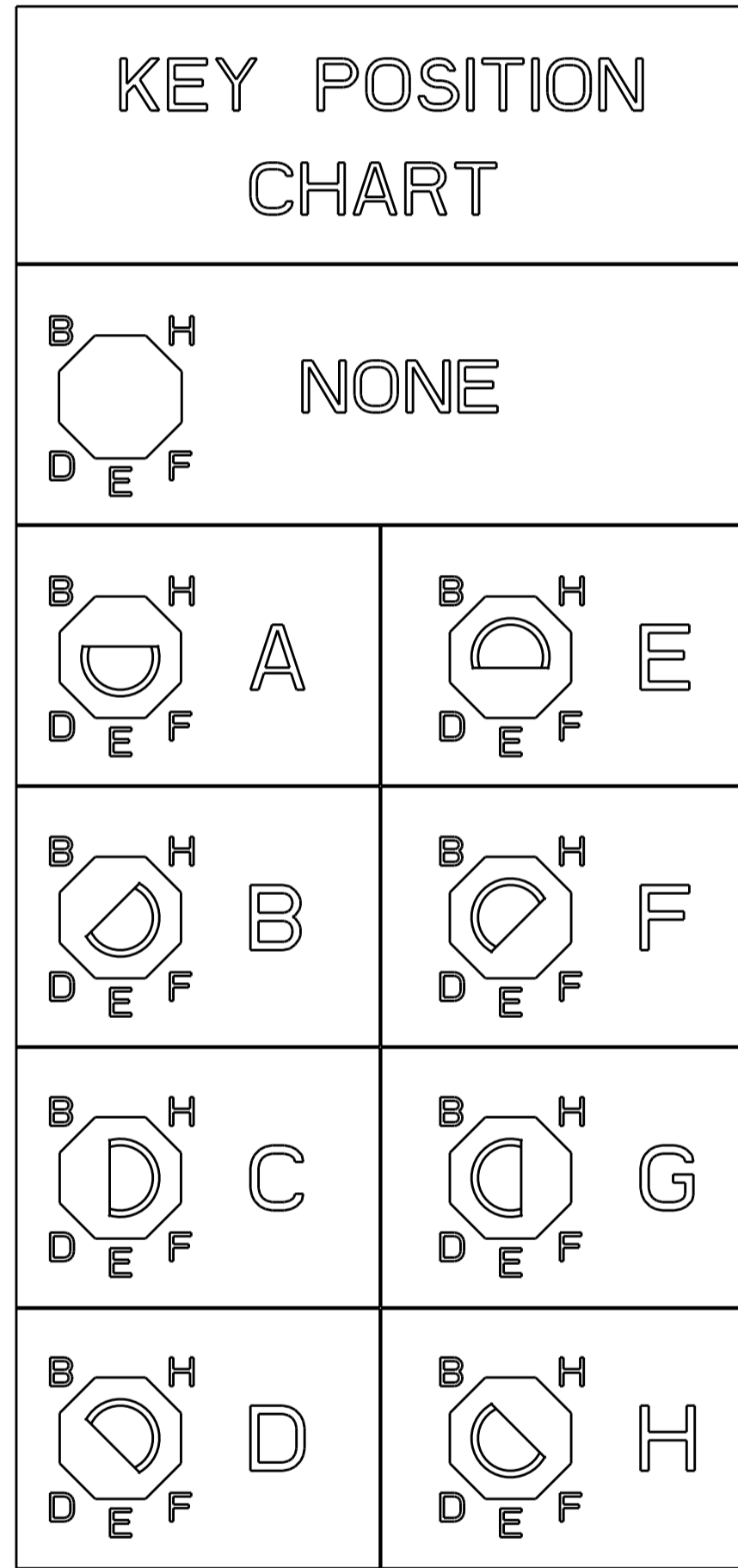


THIS DRAWING IS A CONTROLLED DOCUMENT.		DWN	B. CARBO	11DEC2012	 TE Connectivity	NAME		IMPACT 85 OHM, STANDARD, 4 PAIR PLUS,	
DIMENSIONS:		CHK	D. DIXON	11DEC2012		PRODUCT SPEC	SIZE		10 COLUMN HEADER, RIGHT GUIDED,
mm		APVD	D. DIXON	11DEC2012		APPLICATION SPEC	CAGE CODE		OPEN ENDWALL, SIGNAL MODULE
0 PLC ± 1 PLC ±0.25 2 PLC ±0.13 3 PLC ± 4 PLC ± ANGLES ±		FINISH		SEE TABLE		WEIGHT	DRAWING NO		A100779C=2198062
MATERIAL		SCALE		5:1	SHEET		1	OF	2
RESTRICTED TO		Customer Drawing		REV		A			

LOC		DIST		REVISIONS			
AD	00	P	LTN	DESCRIPTION	DATE	DMN	APVD
		-		SEE SHEET 1		-	-

H	0.46	5.5	8-2198062-6
H	0.46	4.9	8-2198062-5
H	0.46	4.5	8-2198062-4
H	0.39	5.5	8-2198062-3
H	0.39	4.9	8-2198062-2
H	0.39	4.5	8-2198062-1
G	0.46	5.5	7-2198062-6
G	0.46	4.9	7-2198062-5
G	0.46	4.5	7-2198062-4
G	0.39	5.5	7-2198062-3
G	0.39	4.9	7-2198062-2
G	0.39	4.5	7-2198062-1
F	0.46	5.5	6-2198062-6
F	0.46	4.9	6-2198062-5
F	0.46	4.5	6-2198062-4
F	0.39	5.5	6-2198062-3
F	0.39	4.9	6-2198062-2
F	0.39	4.5	6-2198062-1
E	0.46	5.5	5-2198062-6
E	0.46	4.9	5-2198062-5
E	0.46	4.5	5-2198062-4
E	0.39	5.5	5-2198062-3
E	0.39	4.9	5-2198062-2
E	0.39	4.5	5-2198062-1
D	0.46	5.5	4-2198062-6
D	0.46	4.9	4-2198062-5
D	0.46	4.5	4-2198062-4
D	0.39	5.5	4-2198062-3
D	0.39	4.9	4-2198062-2
D	0.39	4.5	4-2198062-1
C	0.46	5.5	3-2198062-6
C	0.46	4.9	3-2198062-5
C	0.46	4.5	3-2198062-4
C	0.39	5.5	3-2198062-3
C	0.39	4.9	3-2198062-2
C	0.39	4.5	3-2198062-1
B	0.46	5.5	2-2198062-6
B	0.46	4.9	2-2198062-5
B	0.46	4.5	2-2198062-4
B	0.39	5.5	2-2198062-3
B	0.39	4.9	2-2198062-2
B	0.39	4.5	2-2198062-1
A	0.46	5.5	1-2198062-6
A	0.46	4.9	1-2198062-5
A	0.46	4.5	1-2198062-4
A	0.39	5.5	1-2198062-3
A	0.39	4.9	1-2198062-2
A	0.39	4.5	1-2198062-1
-	0.46	5.5	2198062-6
-	0.46	4.9	2198062-5
-	0.46	4.5	2198062-4
-	0.39	5.5	2198062-3
-	0.39	4.9	2198062-2
-	0.39	4.5	2198062-1
KEY POSITION	P PLATED THROUGH HOLE SIZE	M POST LENGTH	PART NUMBER

- △ MATERIAL:
HOUSING: LCP, GLASS FILLED, UL94V-0.
TERMINALS: HIGH PERFORMANCE COPPER ALLOY.
- △ FINISH:
30μ" MIN GOLD IN CONTACT AREA. SELECTIVE TIN
ON PCB TAILS, NICKEL OVERALL.
- 3. SCREWS PACKAGED IN END OF PACKAGING TUBE.
- △ FOR GROUNDED GUIDE PIN USE Ø3.56±0.08 PTH,
Ø3.66 DRILL, AND Ø6.5 PAD.
- 5. KEYING PIN SHOWN IN POSITION A, SEE KEYING CHART
ON SHEET 2 FOR OTHER POSITIONS.



REFER TO WWW.TE.COM
FOR PRODUCT AVAILABILITY

THIS DRAWING IS A CONTROLLED DOCUMENT.		DMN B. CARBO 11DEC2012	STE TE Connectivity
DIMENSIONS:		CHK D. DIXON 11DEC2012	
TOLERANCES UNLESS OTHERWISE SPECIFIED:		APVD D. DIXON 11DEC2012	
mm	0 PLC ±0.25	PRODUCT SPEC	NAME IMPACT.85 OHM, STANDARD, 4 PAIR PLUS, 10 COLUMN HEADER, RIGHT GUIDED, OPEN ENDWALL, SIGNAL MODULE
	1 PLC ±0.13	APPLICATION SPEC	
	2 PLC ±0.13	WEIGHT	SIZE CAGE CODE DRAWING NO RESTRICTED TO
	3 PLC ±0.13	Customer Drawing	A100779C=2198062
	4 PLC ±0.13	SCALE 5:1	SHEET 2 OF 2
	ANGLES	REV A	
	FINISH SEE TABLE		