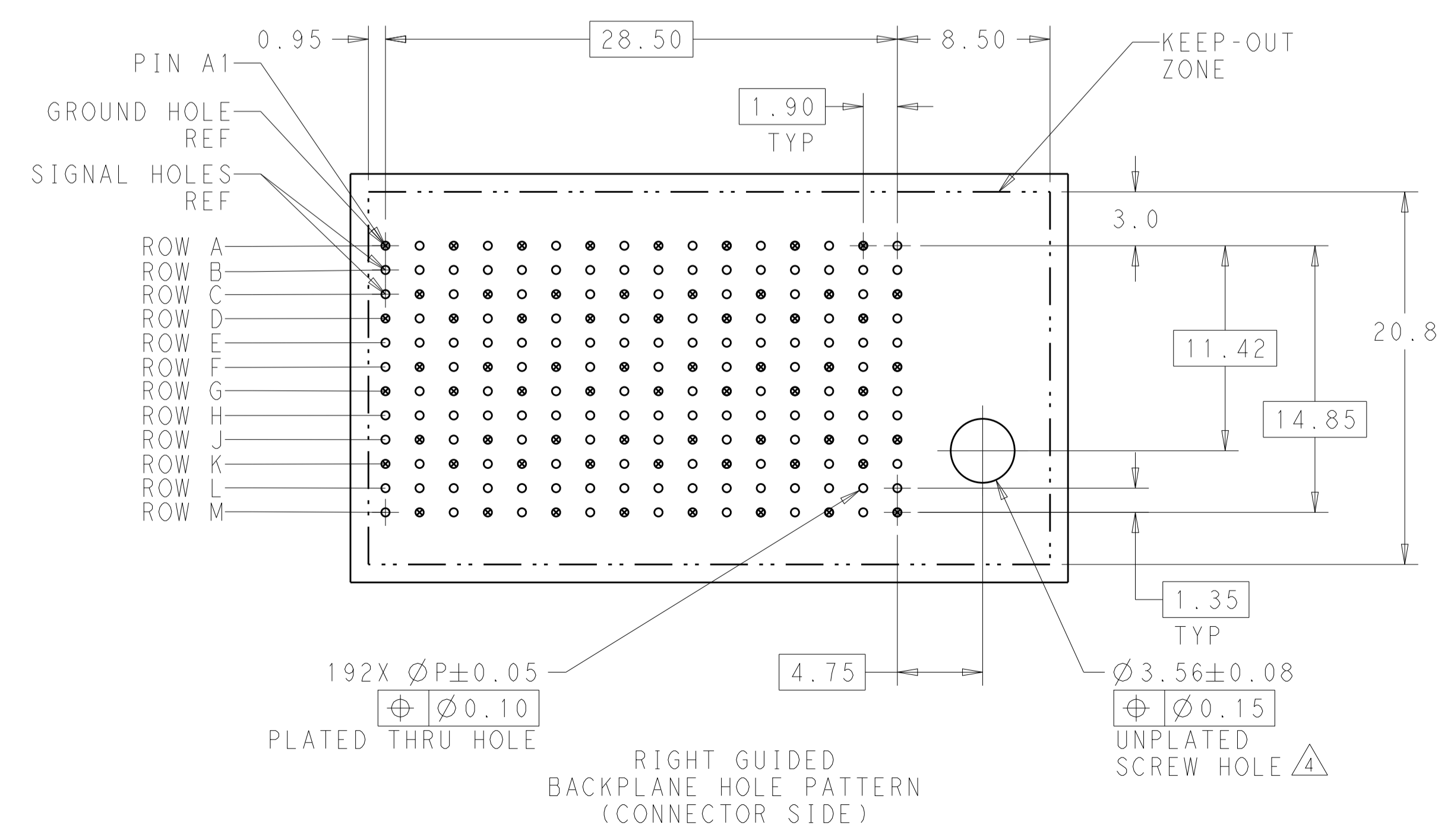
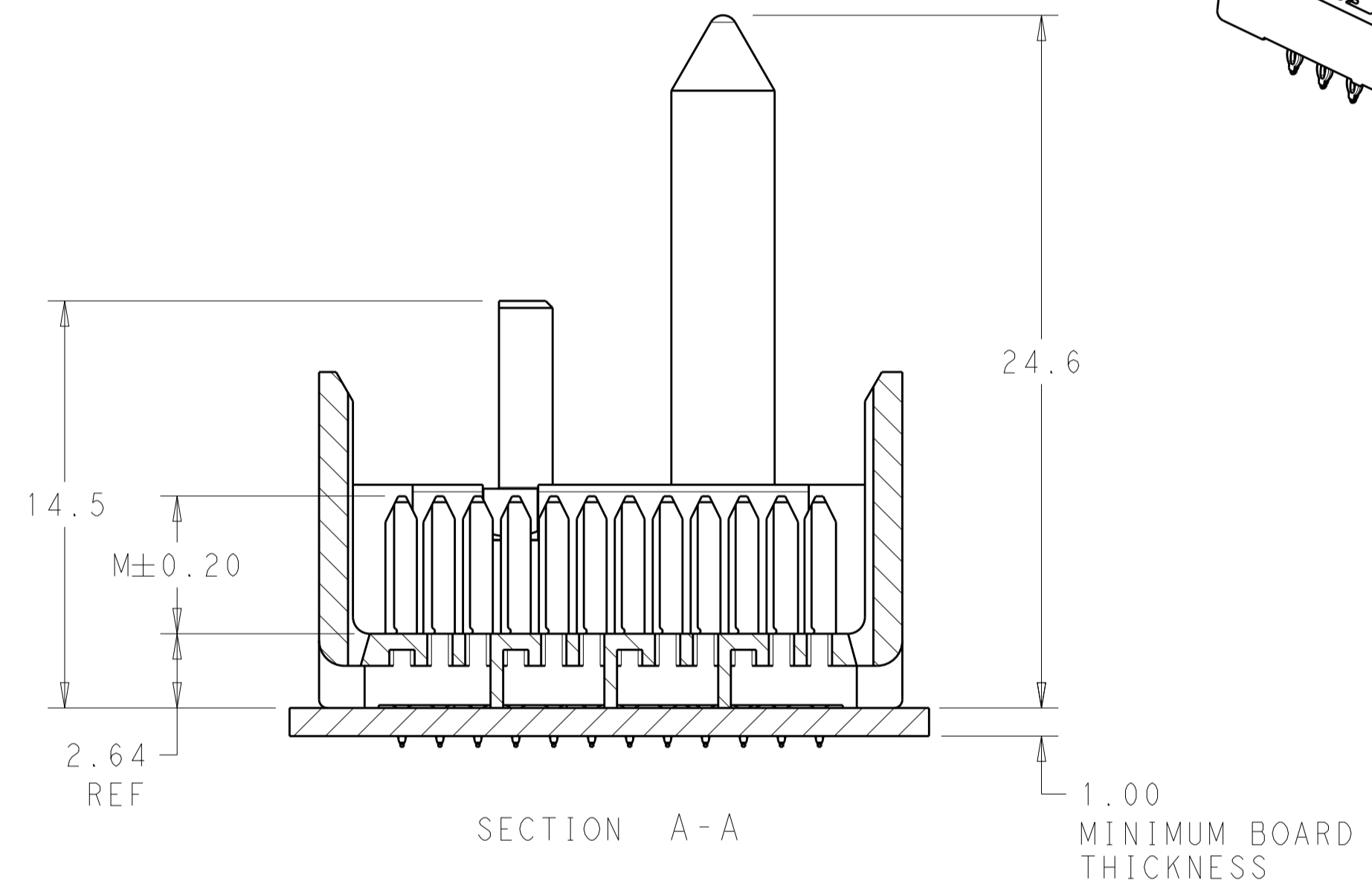
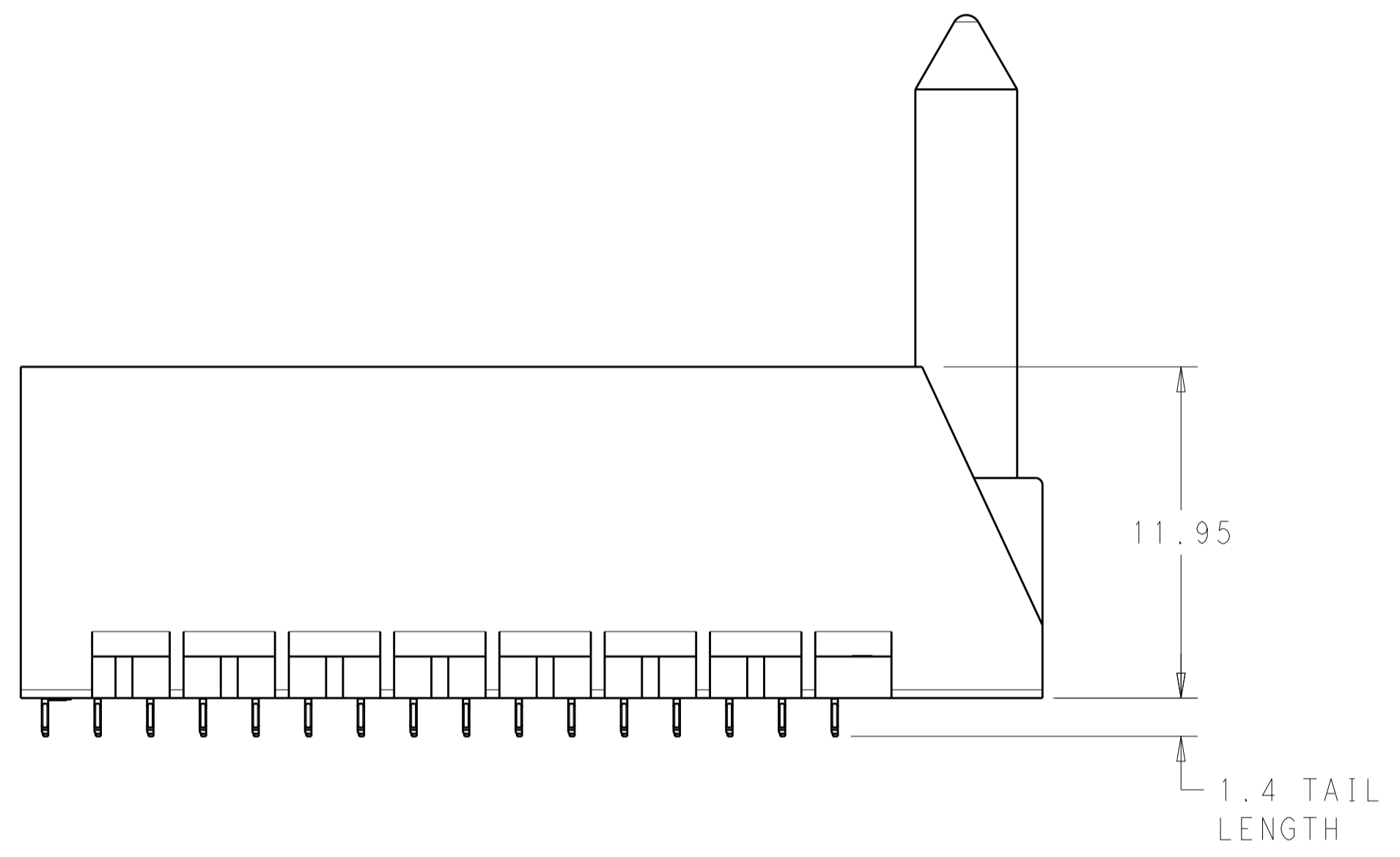
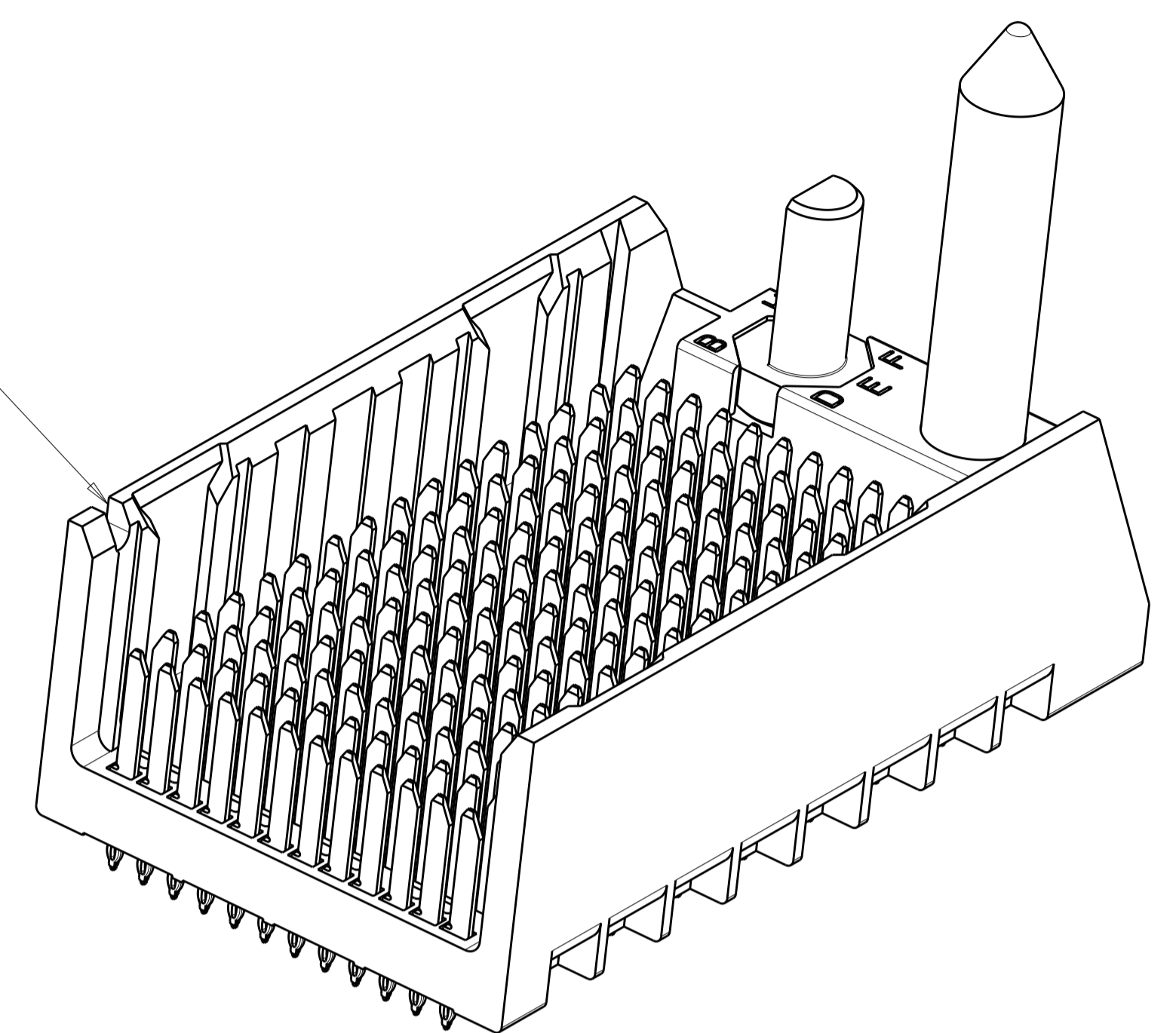
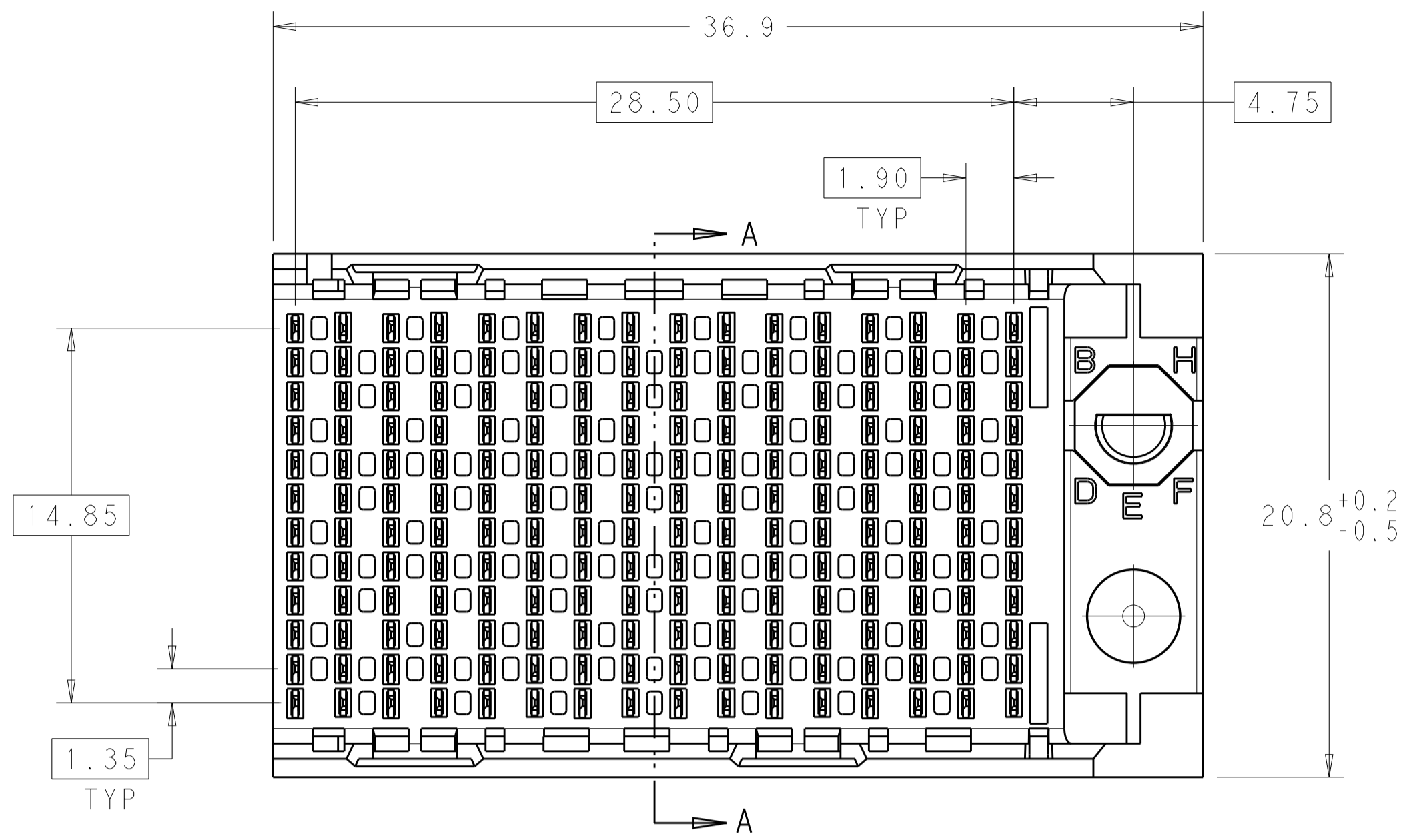


| LOC | | DIST | | REVISIONS | | | |
|-----|-----|---------------------------|-----------|-----------|------|--|--|
| P | LTN | DESCRIPTION | DATE | DWN | APVD | | |
| A | | REVISED PER ECO-15-003242 | 24MAR2015 | AP | DD | | |

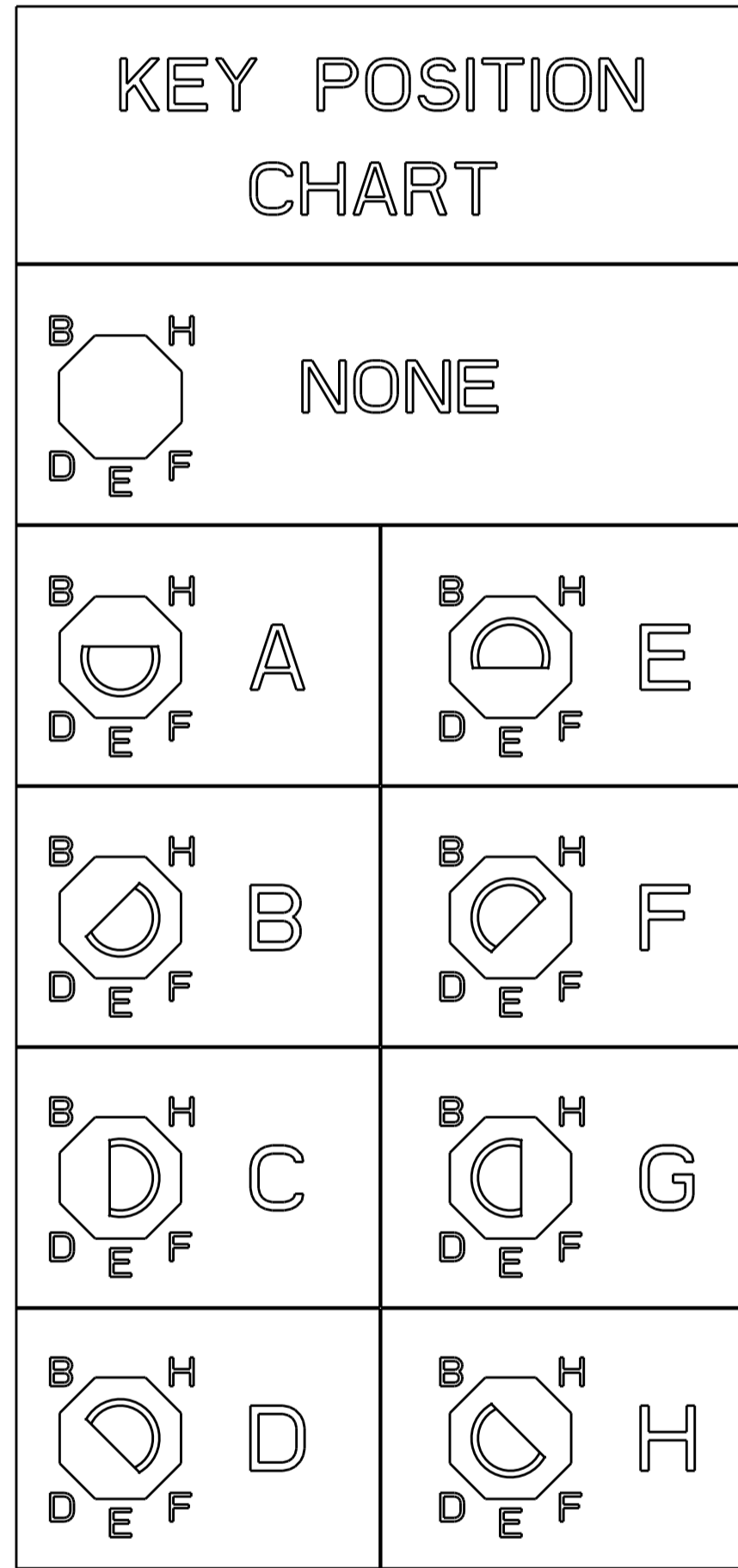


| | | | |
|---|--|-------------------------|--|
| THIS DRAWING IS A CONTROLLED DOCUMENT. | | DWN: B_CARBO 19DEC2012 | TE Connectivity |
| DIMENSIONS: mm | | CHK: D_DIXON 19DEC2012 | |
| TOLERANCES UNLESS OTHERWISE SPECIFIED: | | APVD: D_DIXON 19DEC2012 | NAME: IMPACT 85 OHM, STANDARD 4 PAIR PLUS, 16 COLUMN HEADER, RIGHT GUIDED, OPEN ENDWALL, SIGNAL MODULE |
| 0 PLC ± 1 PLC ±0.25 2 PLC ±0.13 3 PLC ± 4 PLC ± ANGLES ± | | PRODUCT SPEC | SIZE: CAGE CODE DRAWING NO. RESTRICTED TO |
| MATERIAL: SEE TABLE | | APPLICATION SPEC | WEIGHT: A100779C=2198046 |
| FINISH: SEE TABLE | | Customer Drawing | SCALE: 5:1 SHEET 1 OF 2 REV A |

| LOC | DIST | REV | DATE | BY | APPV |
|-----|------|-----|------|----|------|
| AD | 00 | | | | |
| | | | | | |
| | | | | | |

| | | | |
|--------------|----------------------------------|------------------|-------------|
| H | 0.46 | 5.5 | 8-2198046-6 |
| H | 0.46 | 4.9 | 8-2198046-5 |
| H | 0.46 | 4.5 | 8-2198046-4 |
| H | 0.39 | 5.5 | 8-2198046-3 |
| H | 0.39 | 4.9 | 8-2198046-2 |
| H | 0.39 | 4.5 | 8-2198046-1 |
| G | 0.46 | 5.5 | 7-2198046-6 |
| G | 0.46 | 4.9 | 7-2198046-5 |
| G | 0.46 | 4.5 | 7-2198046-4 |
| G | 0.39 | 5.5 | 7-2198046-3 |
| G | 0.39 | 4.9 | 7-2198046-2 |
| G | 0.39 | 4.5 | 7-2198046-1 |
| F | 0.46 | 5.5 | 6-2198046-6 |
| F | 0.46 | 4.9 | 6-2198046-5 |
| F | 0.46 | 4.5 | 6-2198046-4 |
| F | 0.39 | 5.5 | 6-2198046-3 |
| F | 0.39 | 4.9 | 6-2198046-2 |
| F | 0.39 | 4.5 | 6-2198046-1 |
| E | 0.46 | 5.5 | 5-2198046-6 |
| E | 0.46 | 4.9 | 5-2198046-5 |
| E | 0.46 | 4.5 | 5-2198046-4 |
| E | 0.39 | 5.5 | 5-2198046-3 |
| E | 0.39 | 4.9 | 5-2198046-2 |
| E | 0.39 | 4.5 | 5-2198046-1 |
| D | 0.46 | 5.5 | 4-2198046-6 |
| D | 0.46 | 4.9 | 4-2198046-5 |
| D | 0.46 | 4.5 | 4-2198046-4 |
| D | 0.39 | 5.5 | 4-2198046-3 |
| D | 0.39 | 4.9 | 4-2198046-2 |
| D | 0.39 | 4.5 | 4-2198046-1 |
| C | 0.46 | 5.5 | 3-2198046-6 |
| C | 0.46 | 4.9 | 3-2198046-5 |
| C | 0.46 | 4.5 | 3-2198046-4 |
| C | 0.39 | 5.5 | 3-2198046-3 |
| C | 0.39 | 4.9 | 3-2198046-2 |
| C | 0.39 | 4.5 | 3-2198046-1 |
| B | 0.46 | 5.5 | 2-2198046-6 |
| B | 0.46 | 4.9 | 2-2198046-5 |
| B | 0.46 | 4.5 | 2-2198046-4 |
| B | 0.39 | 5.5 | 2-2198046-3 |
| B | 0.39 | 4.9 | 2-2198046-2 |
| B | 0.39 | 4.5 | 2-2198046-1 |
| A | 0.46 | 5.5 | 1-2198046-6 |
| A | 0.46 | 4.9 | 1-2198046-5 |
| A | 0.46 | 4.5 | 1-2198046-4 |
| A | 0.39 | 5.5 | 1-2198046-3 |
| A | 0.39 | 4.9 | 1-2198046-2 |
| A | 0.39 | 4.5 | 1-2198046-1 |
| - | 0.46 | 5.5 | 2198046-6 |
| - | 0.46 | 4.9 | 2198046-5 |
| - | 0.46 | 4.5 | 2198046-4 |
| - | 0.39 | 5.5 | 2198046-3 |
| - | 0.39 | 4.9 | 2198046-2 |
| - | 0.39 | 4.5 | 2198046-1 |
| KEY POSITION | P PLATED THROUGH HOLE SIZE | M POST LENGTH | PART NUMBER |

- 1 MATERIAL:
HOUSING: LCP, GLASS FILLED, UL94V-0.
TERMINALS: HIGH PERFORMANCE COPPER ALLOY.
- 2 FINISH:
30μ" MIN GOLD IN CONTACT AREA. SELECTIVE TIN
ON PCB TAILS, NICKEL OVERALL.
- 3. SCREWS PACKAGED IN END OF PACKAGING TUBE.
- 4 FOR GROUNDED GUIDE PIN USE Ø3.56±0.08 PTH,
Ø3.66 DRILL, AND Ø6.5 PAD.
- 5. KEYING PIN SHOWN IN POSITION A, SEE KEYING CHART
ON SHEET 2 FOR OTHER POSITIONS.



REFER TO WWW.TE.COM
FOR PRODUCT AVAILABILITY

| | | | |
|--|-------------|--------------------------|---|
| THIS DRAWING IS A CONTROLLED DOCUMENT. | | OWN: B. CARBO 19DEC2012 | TE Connectivity |
| DIMENSIONS: mm | | CHK: D. DIXON 19DEC2012 | |
| TOLERANCES UNLESS OTHERWISE SPECIFIED: | | APPV: D. DIXON 19DEC2012 | |
| 0 PLC ±0.25 | 1 PLC ±0.13 | 2 PLC ±0.13 | NAME: IMPACT.85 OHM, STANDARD, 4 PAIR PLUS, 16 COLUMN HEADER, RIGHT GUIDED, OPEN ENDWALL, SIGNAL MODULE |
| 3 PLC ±0.13 | 4 PLC ±0.13 | 5 PLC ±0.13 | PRODUCT SPEC |
| ANGLES | FINISH | WEIGHT | APPLICATION SPEC |
| SEE TABLE | SEE TABLE | Customer Drawing | SIZE: A1 CAGE CODE: C=2198046 |
| MATERIAL: - | | RESTRICTED TO: - | SCALE: 5:1 SHEET 2 OF 2 REV A |