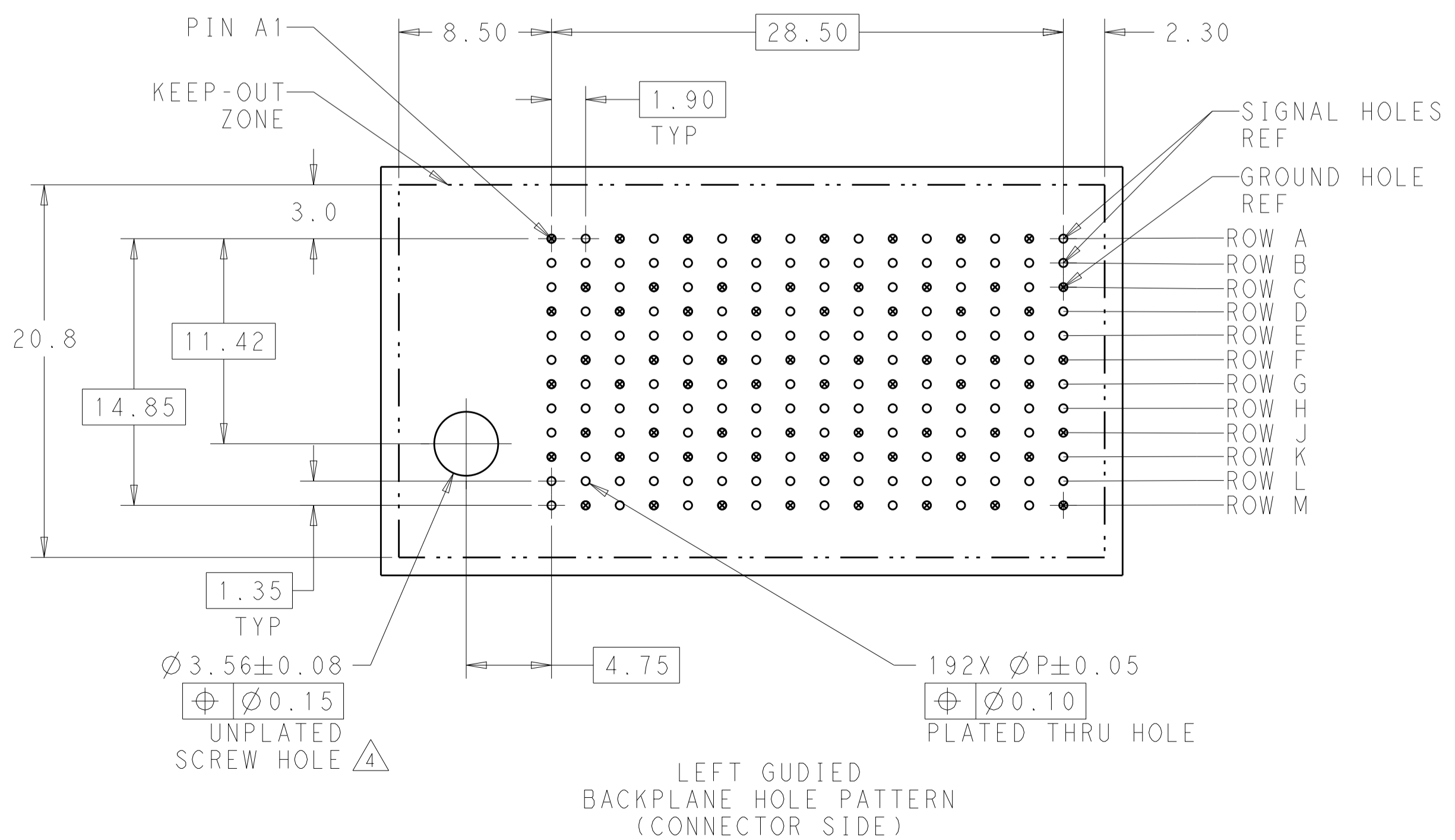
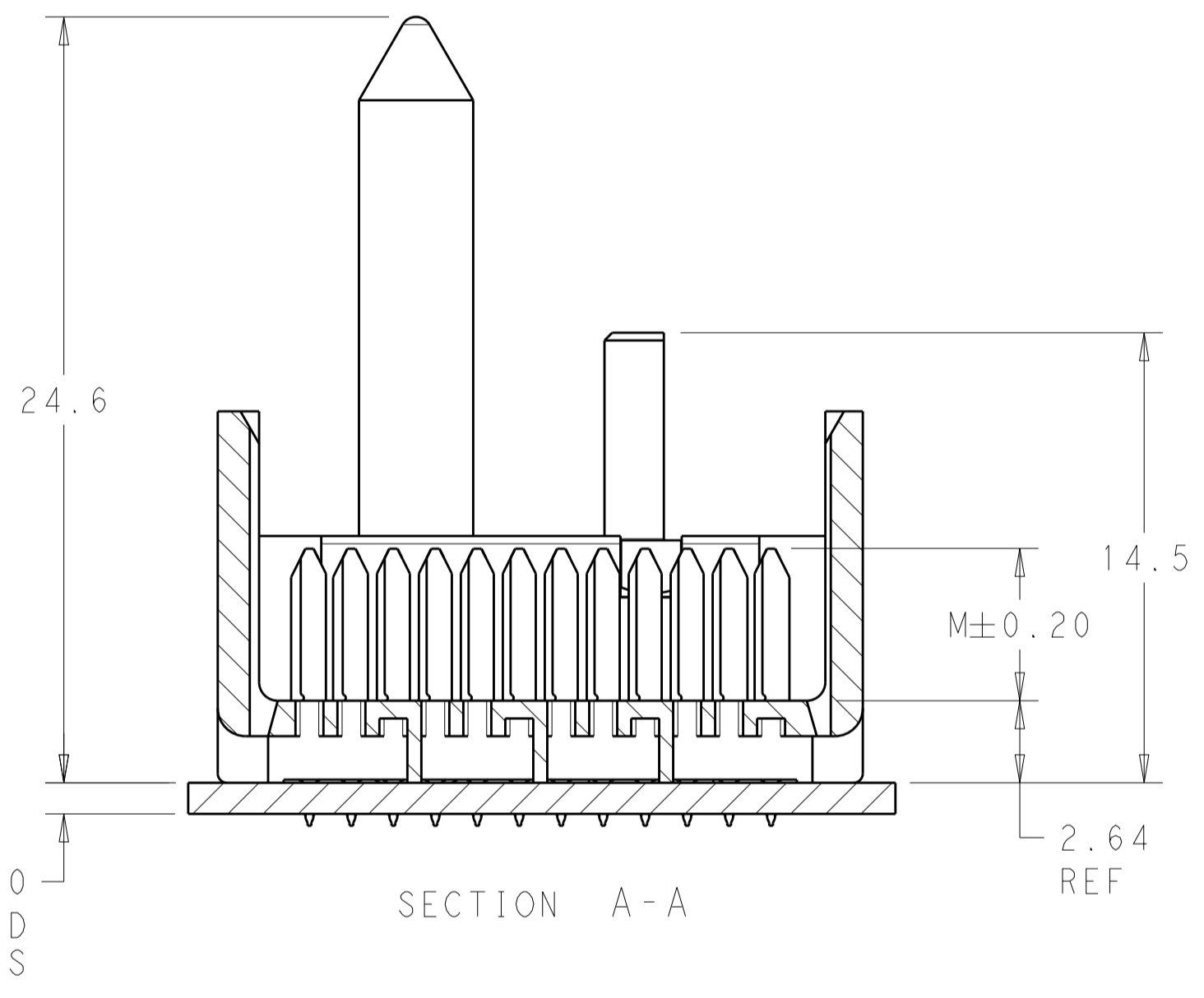
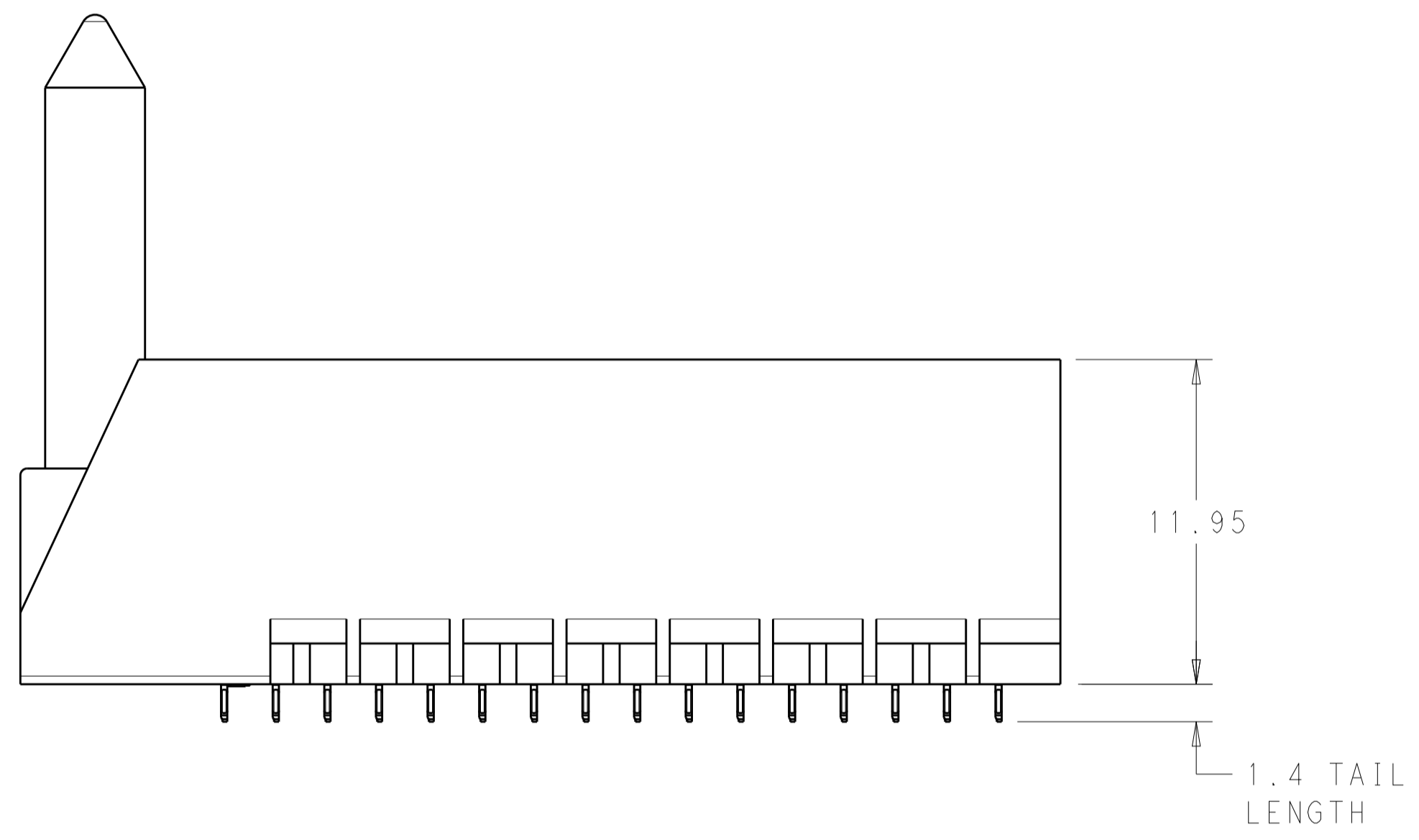
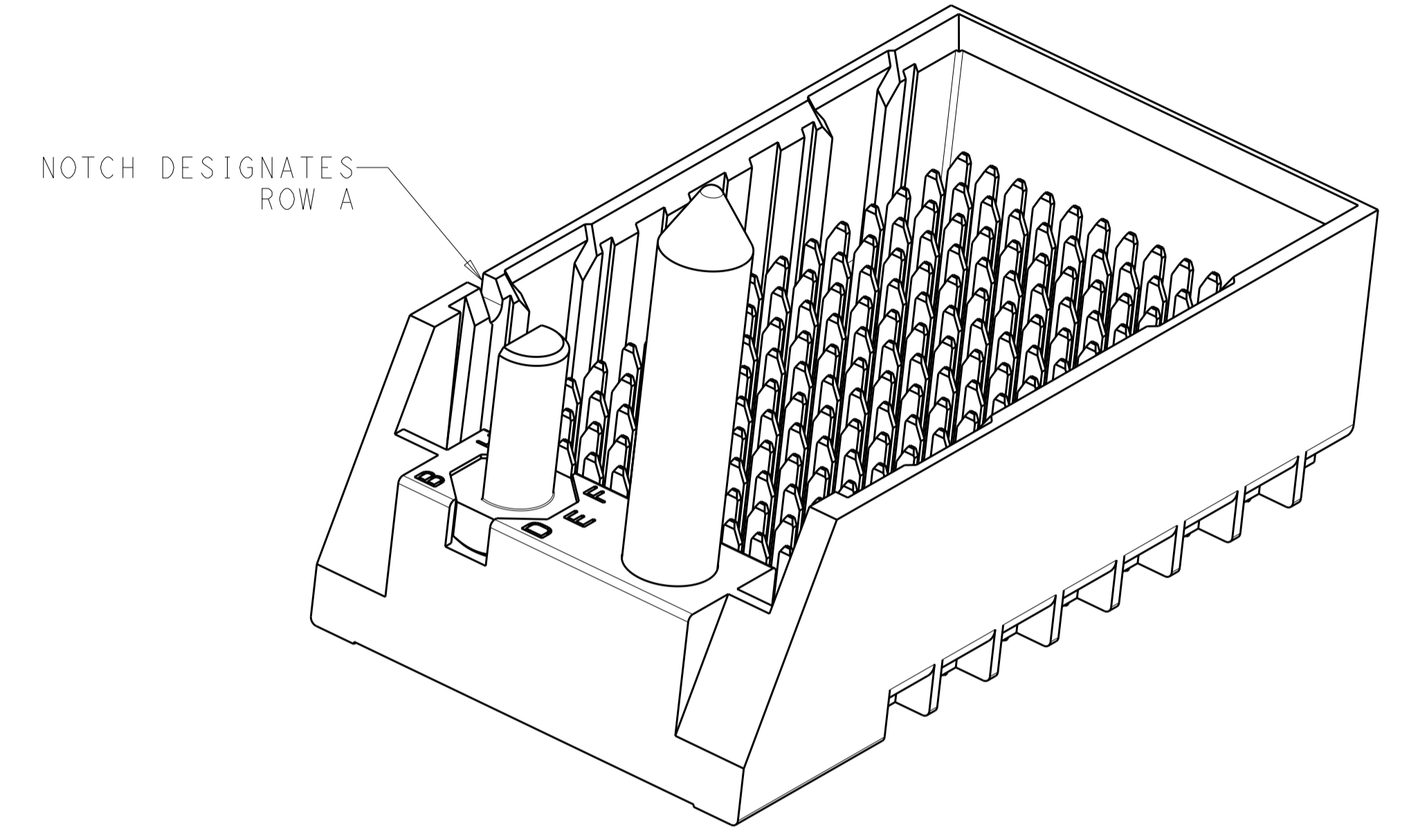
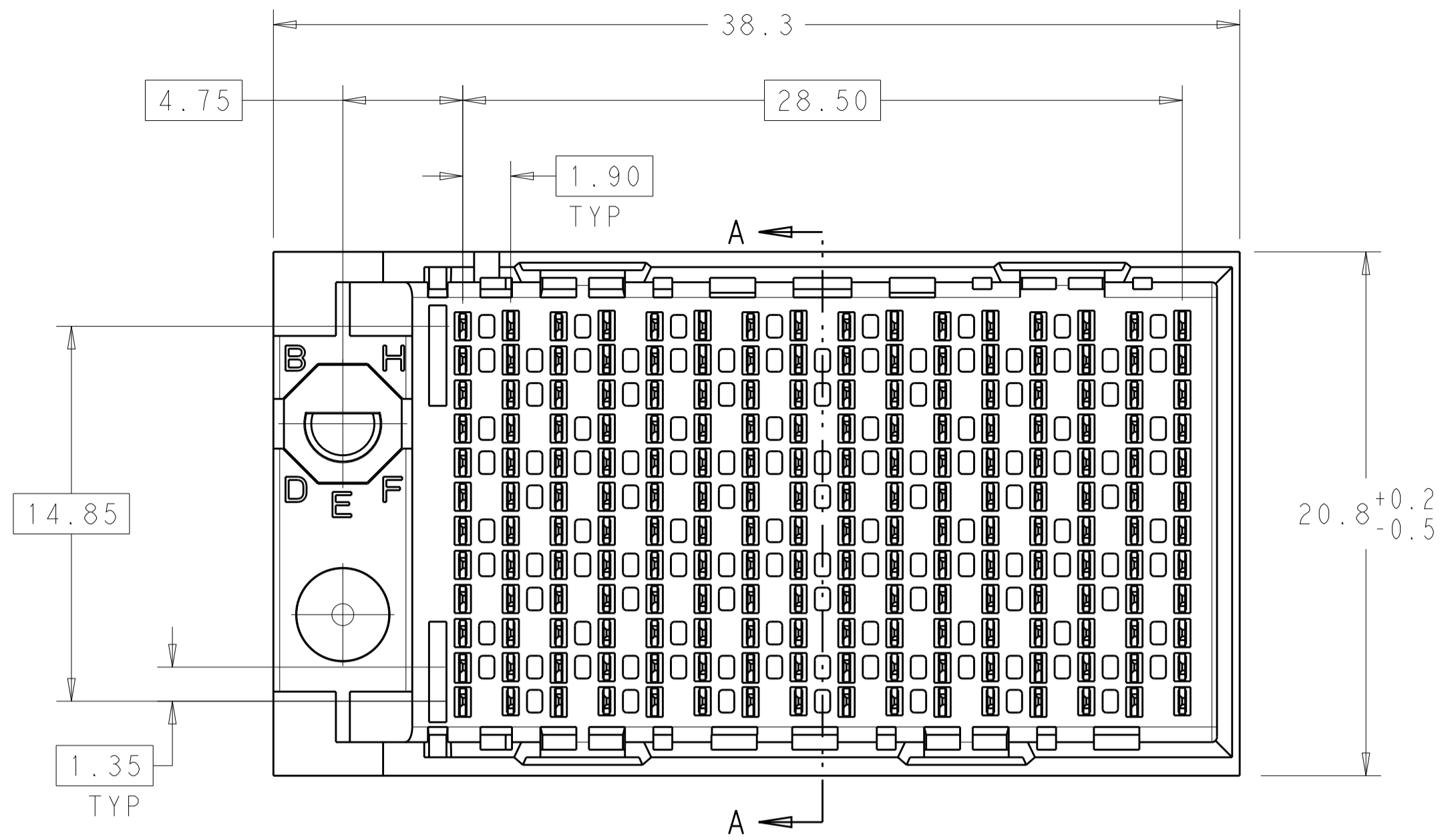


LOC		DIST		REVISIONS			
P	LTN	DESCRIPTION	DATE	DWN	APVD		
A		REVISED PER ECO-15-003242	24MAR2015	AP	DD		

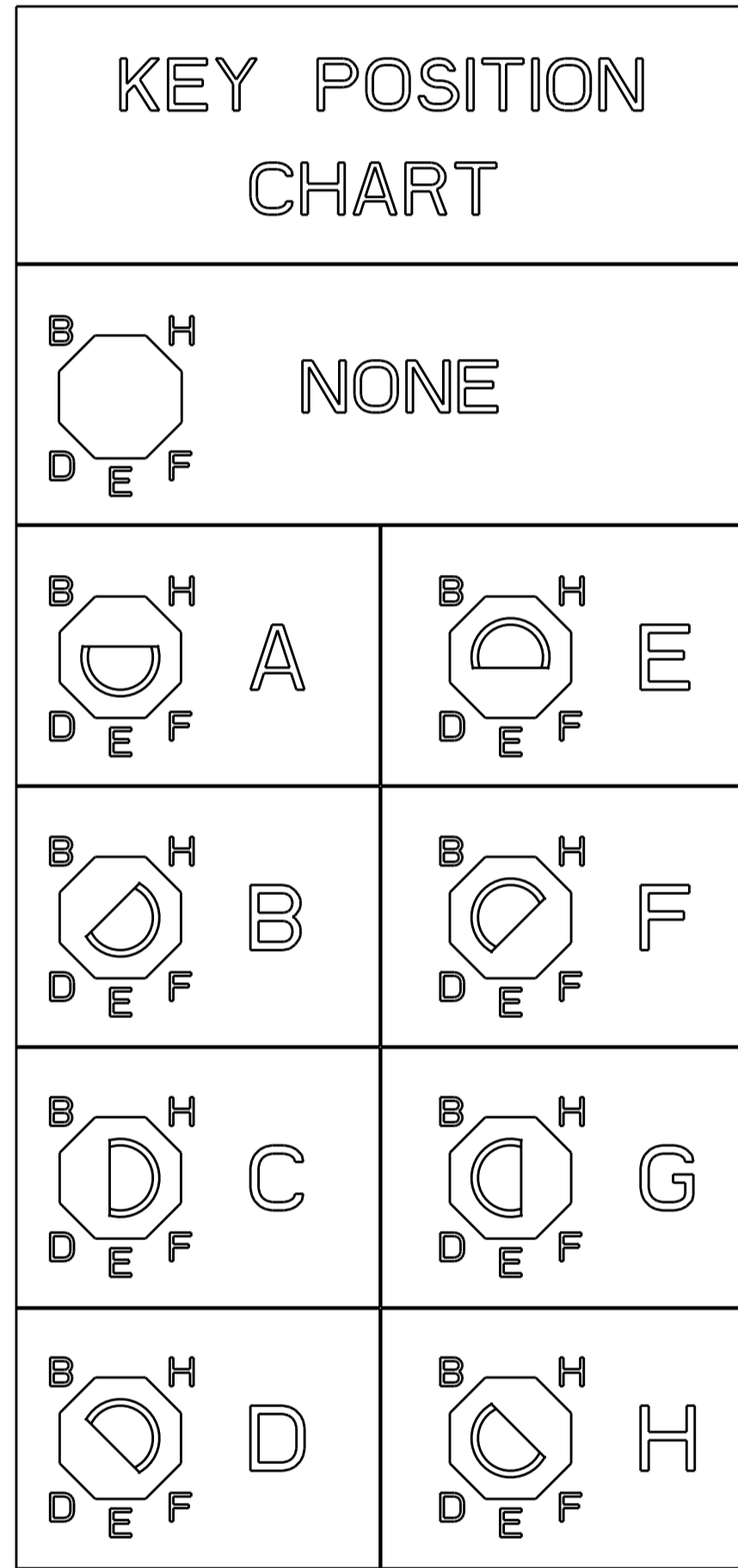


THIS DRAWING IS A CONTROLLED DOCUMENT.		DWN B. CARBO 19DEC2012	TE Connectivity
DIMENSIONS: mm		CHK D. DIXON 19DEC2012	
TOLERANCES UNLESS OTHERWISE SPECIFIED: 0 PLC ±0.25 1 PLC ±0.13 2 PLC ±0.10 3 PLC ±0.08 4 PLC ±0.05 ANGLES ±0.5°		APVD D. DIXON 19DEC2012 PRODUCT SPEC APPLICATION SPEC SIZE CAGE CODE DRAWING NO WEIGHT Customer Drawing	
MATERIAL FINISH SEE TABLE		NAME IMPACT.85 OHM, STANDARD, 4 PAIR PLUS, 16 COLUMN HEADER, LEFT GUIDED, RIGHT ENDWALL, SIGNAL MODULE A100779C=2198045 SCALE 5:1 SHEET 1 OF 2 REV A	

LOC	DIST	REV	DATE	BY	APPV
AD	00				

H	0.46	5.5	8-2198045-6
H	0.46	4.9	8-2198045-5
H	0.46	4.5	8-2198045-4
H	0.39	5.5	8-2198045-3
H	0.39	4.9	8-2198045-2
H	0.39	4.5	8-2198045-1
G	0.46	5.5	7-2198045-6
G	0.46	4.9	7-2198045-5
G	0.46	4.5	7-2198045-4
G	0.39	5.5	7-2198045-3
G	0.39	4.9	7-2198045-2
G	0.39	4.5	7-2198045-1
F	0.46	5.5	6-2198045-6
F	0.46	4.9	6-2198045-5
F	0.46	4.5	6-2198045-4
F	0.39	5.5	6-2198045-3
F	0.39	4.9	6-2198045-2
F	0.39	4.5	6-2198045-1
E	0.46	5.5	5-2198045-6
E	0.46	4.9	5-2198045-5
E	0.46	4.5	5-2198045-4
E	0.39	5.5	5-2198045-3
E	0.39	4.9	5-2198045-2
E	0.39	4.5	5-2198045-1
D	0.46	5.5	4-2198045-6
D	0.46	4.9	4-2198045-5
D	0.46	4.5	4-2198045-4
D	0.39	5.5	4-2198045-3
D	0.39	4.9	4-2198045-2
D	0.39	4.5	4-2198045-1
C	0.46	5.5	3-2198045-6
C	0.46	4.9	3-2198045-5
C	0.46	4.5	3-2198045-4
C	0.39	5.5	3-2198045-3
C	0.39	4.9	3-2198045-2
C	0.39	4.5	3-2198045-1
B	0.46	5.5	2-2198045-6
B	0.46	4.9	2-2198045-5
B	0.46	4.5	2-2198045-4
B	0.39	5.5	2-2198045-3
B	0.39	4.9	2-2198045-2
B	0.39	4.5	2-2198045-1
A	0.46	5.5	1-2198045-6
A	0.46	4.9	1-2198045-5
A	0.46	4.5	1-2198045-4
A	0.39	5.5	1-2198045-3
A	0.39	4.9	1-2198045-2
A	0.39	4.5	1-2198045-1
-	0.46	5.5	2198045-6
-	0.46	4.9	2198045-5
-	0.46	4.5	2198045-4
-	0.39	5.5	2198045-3
-	0.39	4.9	2198045-2
-	0.39	4.5	2198045-1
KEY POSITION	P PLATED THROUGH HOLE SIZE	M POST LENGTH	PART NUMBER

- 1 MATERIAL:
HOUSING: LCP, GLASS FILLED, UL94V-0.
TERMINALS: HIGH PERFORMANCE COPPER ALLOY.
- 2 FINISH:
30μ" MIN GOLD IN CONTACT AREA. SELECTIVE TIN
ON PCB TAILS, NICKEL OVERALL.
- 3. SCREWS PACKAGED IN END OF PACKAGING TUBE.
- 4 FOR GROUNDED GUIDE PIN USE Ø3.56±0.08 PTH,
Ø3.66 DRILL, AND Ø6.5 PAD.
- 5. KEYING PIN SHOWN IN POSITION A, SEE KEYING CHART
ON SHEET 2 FOR OTHER POSITIONS.



REFER TO WWW.TE.COM
FOR PRODUCT AVAILABILITY

THIS DRAWING IS A CONTROLLED DOCUMENT.		OWN: B. CARBO 19DEC2012	STE TE Connectivity
DIMENSIONS: mm		CHK: D. DIXON 19DEC2012	
TOLERANCES UNLESS OTHERWISE SPECIFIED:		APPV: D. DIXON 19DEC2012	
0 PLC ±0.25	1 PLC ±0.13	2 PLC ±0.13	NAME: IMPACT.85 OHM, STANDARD, 4 PAIR PLUS, 16 COLUMN HEADER, LEFT GUIDED, RIGHT ENDWALL, SIGNAL MODULE
3 PLC ±0.13	4 PLC ±0.13	ANGLES ±0.13	PRODUCT SPEC
MATERIAL: -	FINISH: SEE TABLE	WEIGHT: -	APPLICATION SPEC
Customer Drawing		SCALE: 5:1	RESTRICTED TO
A100779C=2198045		SHEET 2 OF 2	REV A