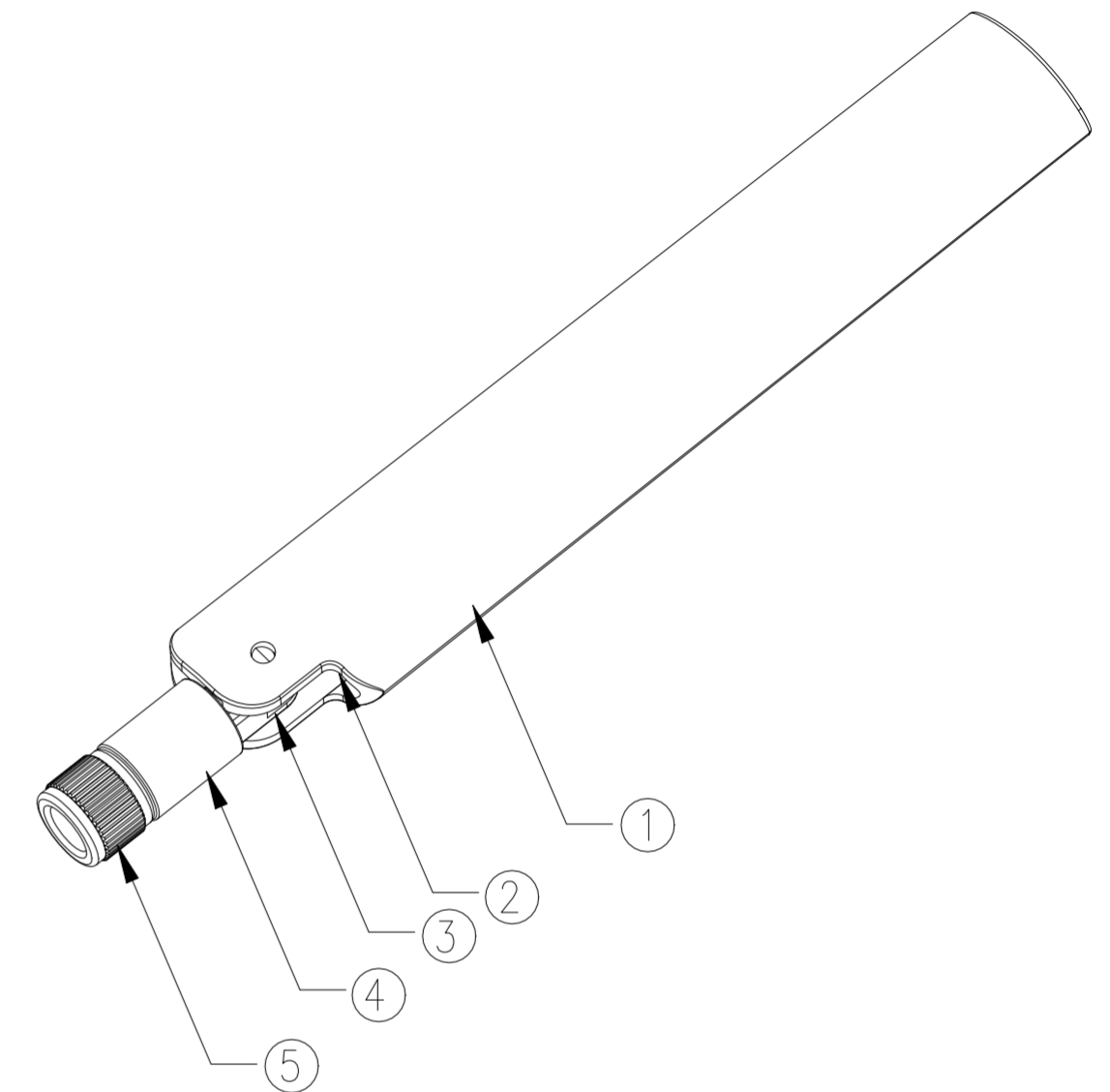
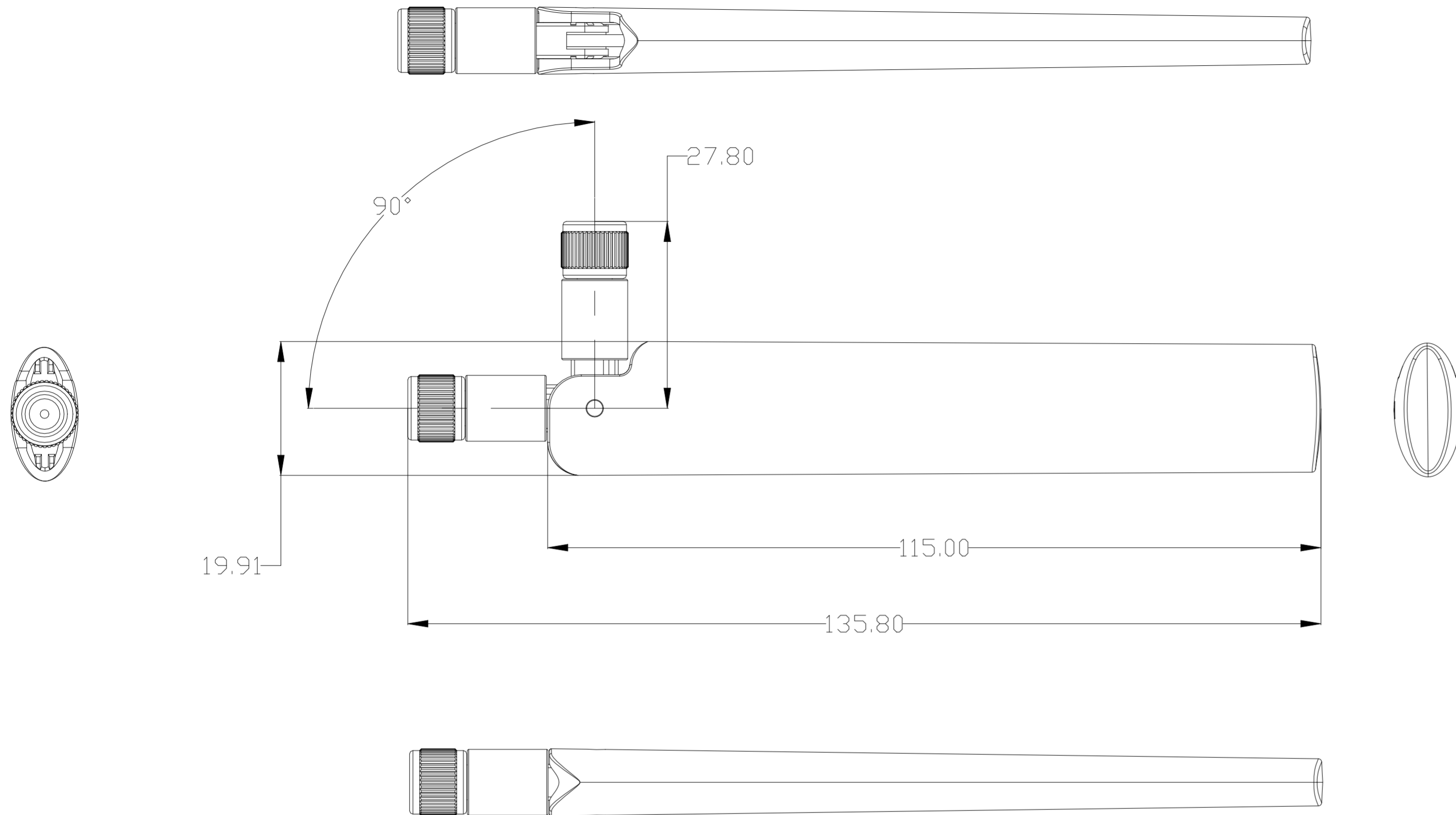


REVISIONS					
P	LTR	DESCRIPTION	DATE	DWN	APVD
A1		ECR-23-191529	02NOV2023	DC	JH



NOTES:

1. Electrical:
 - 1.1. FREQUENCY:600MHz-6000MHz Operation
 - 1.2. IMPEDANCE:50 ohm
 - 1.3. POLIARIZATION: LINEAR
 - 1.4. OPERATING/STORAGE TEMPERATURE -20°C to +65°C
 - 1.4. RETURN LOSS : <=-10dBi
 - 1.6. GAIN PEAK:1.6~4.5dBi
2. ENVIROMENTAL:
 - 2.1 SALT TEST :48 HRS
3. All MATERAL MEET RoHS REQUIREMENT
4. REFER TO DATASHEET 2195889
5. PACKAGE TO BE SECURELY BAGGED.

TE PN	2195889-1	2195889-2			
ENCLOSURE COLOR	BLACK	WHITE			
			TINWIRE	SODLER	⑤
	1	1	SMA	MALE SMA	④
	1	1	cablc	COAX CABLE	③
	1	1	PCB	HF4	②
	1	1	HOUSE	ABSB	①
Q'TY	Q'TY	ITEM	MATERIAL / FINISH		NO

THIS DRAWING IS A CONTROLLED DOCUMENT.		DWN DC HSIANG 13APR2021			
DIMENSIONS: mm		CHK SHIN_HOO 13APR2021			
TOLERANCES UNLESS OTHERWISE SPECIFIED:		APVD AMOS_CHEAH 13APR2021	NAME External Ant, SMA, 600-6000MHz		
0 PLC ± -		PRODUCT SPEC	-		
1 PLC ± -		APPLICATION SPEC	-		
2 PLC ± -		WEIGHT	0	SIZE A2	CAGE CODE 00779
3 PLC ± -		FINISH	-	DRAWING NO C=2195889	RESTRICTED TO -
4 PLC ± -		MATERIAL	-	SCALE 1:1	SHEET 1 of 1
ANGLES ± -		CUSTOMER DRAWING	REV A1		