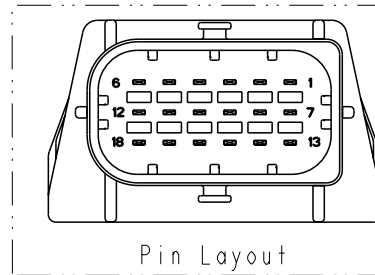
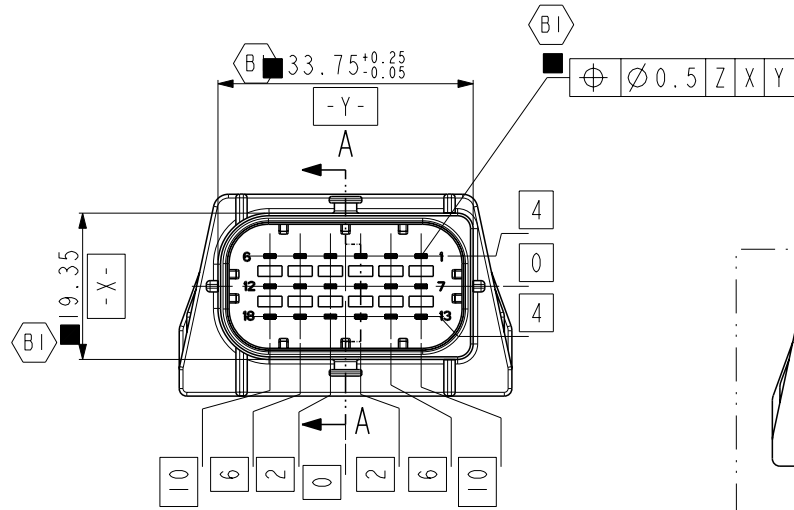
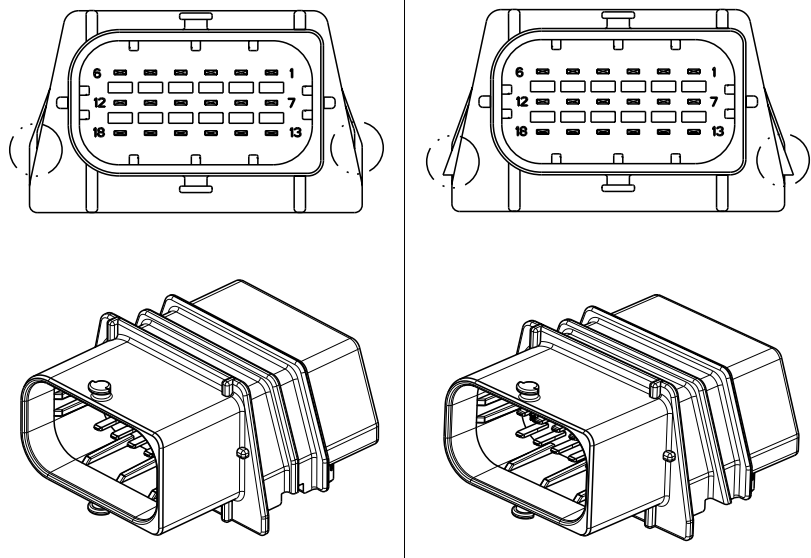


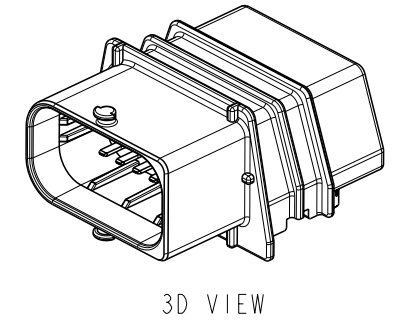
© 2021 TE Connectivity. All Rights Reserved.

2188336-2 / 1-2188336-2 (B2)

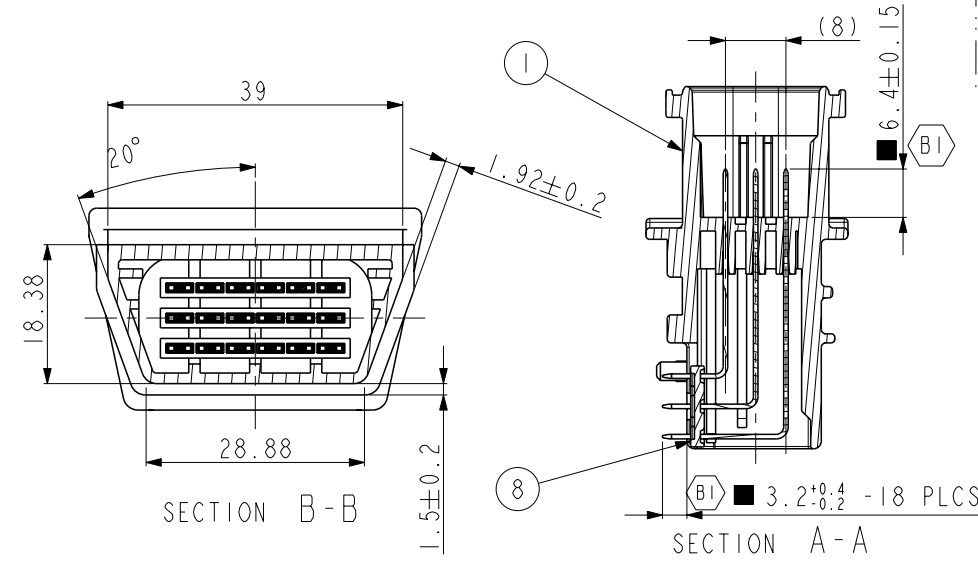
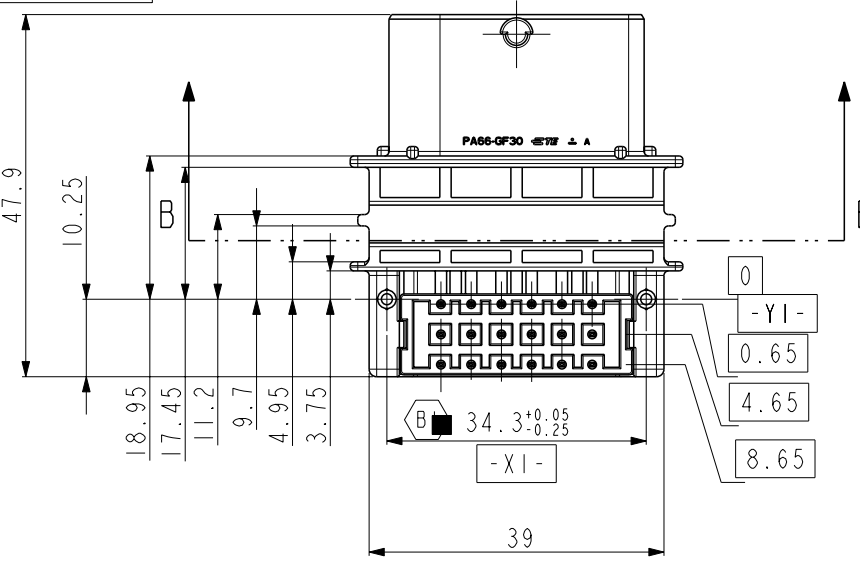
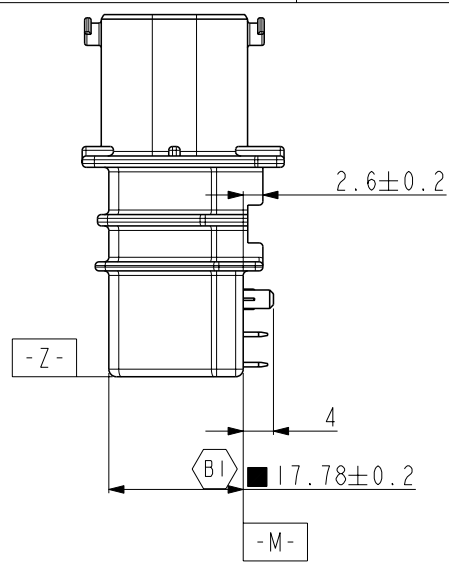
(B1) 1-2188336-4



| Terminal P/N | Circuit Number |
|-----------------|----------------|
| 2188339-6(TIN) | 4-6 (B) |
| 2188339-9(GOLD) | 1-3 (B) |
| 2188339-4(TIN) | 9-12 (B) |
| 2188339-8(GOLD) | 7,8 (B) |
| 2188339-2(TIN) | 13-18 (B) |



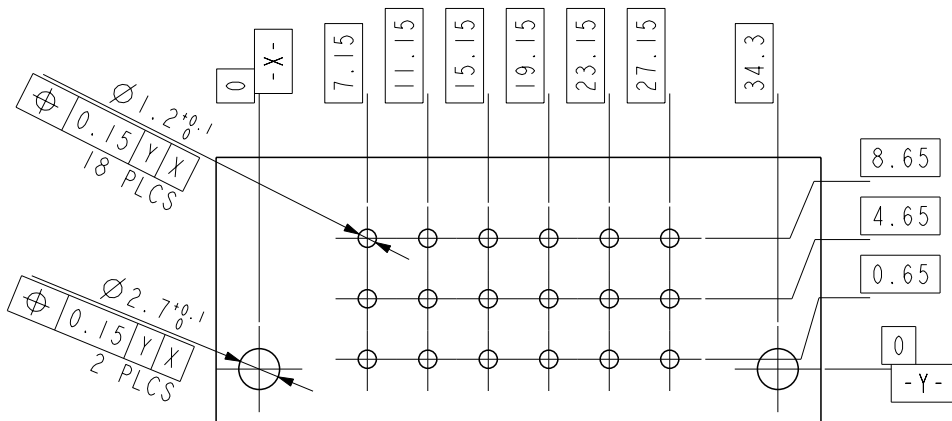
| REVISIONS | | | | | |
|-----------|-----|-------------------------|-----------|-----|------|
| P | LTR | DESCRIPTION | DATE | DWN | APVD |
| B1 | | REVISED (ECR-21-116114) | 14OCT2021 | JS | YJ |
| B2 | | REVISED (ECR-23-163814) | 16JAN2023 | SY | KT |



- NOTE
1. GENERAL TOLERANCE : ±0.3 , ±3°
 2. APPLICABLE COUNTER PART (PLUG) P/N : 1897688-X
 3. MAX WARPAGE : 0.3mm
 4. 1-2188336-4 COLOR RAL CODE : RAL 1011
 5. TAB TIN PLATING : TYPE A Sn (MATTE), (MS915-01)

| NO | P/N | DESCRIPTION | MATERIAL | COLOR | Q'TY | ASS'Y P/N | DESCRIPTION |
|----|-------------|--------------|-----------|---------|-------|-------------|-------------------------|
| 9 | 2188338-1 | JOINT HSG | PA66-GF15 | NATURAL | 1 | 1-2188336-2 | HEADER HSG ASS'Y-EXPORT |
| 8 | 2188339-9 | 1.5MM TAB(L) | BRASS | GOLD | 3 (B) | 2188336-2 | HEADER HSG ASS'Y |
| 7 | 2188339-6 | 1.5MM TAB(L) | BRASS | TIN | 3 (B) | 1-2188336-4 | HEADER HSG ASS'Y |
| 6 | 2188339-8 | 1.5MM TAB(M) | BRASS | GOLD | 2 (B) | | |
| 5 | 2188339-4 | 1.5MM TAB(M) | BRASS | TIN | 4 (B) | | |
| 4 | 2188339-7 | 1.5MM TAB(S) | BRASS | GOLD | - (B) | | |
| 3 | 2188339-2 | 1.5MM TAB(S) | BRASS | TIN | 6 (B) | | |
| 2 | 1-2188337-4 | HEADER HSG | PA66-GF30 | BROWN | - | | |
| 1 | 2188337-2 | HEADER HSG | PA66-GF30 | BLACK | 1 | | |

FIG 1. PRINTED PCB LAYOUT



1. GENERAL TOLERANCE : ±0.1
2. APPLICABLE P.C.B THICKNESS : 1.6 mm

THIS DRAWING IS A CONTROLLED DOCUMENT.

| | |
|-------------|--|
| DIMENSIONS: | TOLERANCES UNLESS OTHERWISE SPECIFIED: |
| mm | 0 PLC ± |
| | 1 PLC ± |
| | 2 PLC ± |
| | 3 PLC ± |
| | 4 PLC ± |
| | ANGLES ± |
| MATERIAL | FINISH |

| | |
|------------------|----------|
| DWN | DG JEONG |
| CHK | KT LIM |
| APVD | HG CHO |
| PRODUCT SPEC | |
| APPLICATION SPEC | |
| WEIGHT | |

TE TE Connectivity

NAME: 060 18P HEADER ASS'Y FOR OPU

| | | | |
|------|-----------|------------|---------------|
| SIZE | CAGE CODE | DRAWING NO | RESTRICTED TO |
| A3 | 00779 | C-2188336 | |

CUSTOMER DRAWING SCALE 1:1 SHEET 1 OF 1 REV B2

Printed on 16 Jan 2023 16:17 (???? ??) from FC001887