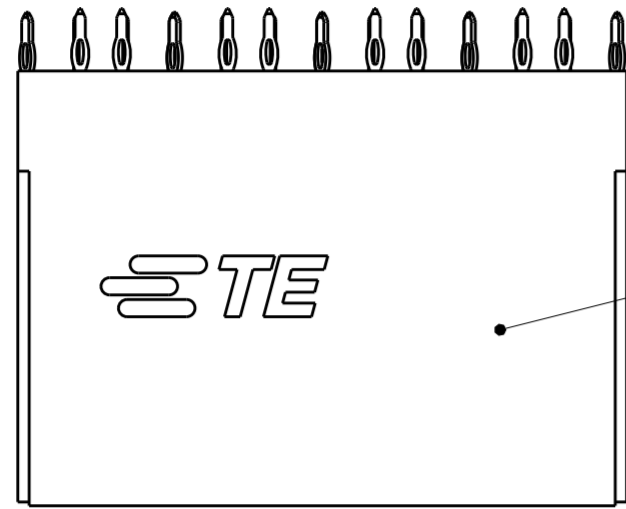


THIS DRAWING IS UNPUBLISHED. RELEASED FOR PUBLICATION 2017  
 © COPYRIGHT 2017 BY TE CONNECTIVITY ALL RIGHTS RESERVED.

REVISIONS				
P	LTR	DESCRIPTION	DATE	APVD
	A	INITIAL RELEASE	26FEB2019	AP RP



1 MATERIAL:  
 HOUSING: THERMOPLASTIC, UL 94V-0, BLACK  
 CONTACTS AND SHIELDS: COPPER ALLOY

2 FINISH:  
 - CONFORMS TO THE REQUIREMENTS OF TE PRODUCT SPECIFICATION 108-32021 BASED ON TELCORDIA GR-1217-CORE FOR SYSTEM QUALITY LEVEL III, APPLICATIONS IN CONTROLLED ENVIRONMENTS (CENTRAL OFFICE).  
 - COMPLIANT PIN AREA: 0.5µm MIN MATTE TIN.

3 SIGNAL PLATED THRU HOLE REQUIREMENTS:  
 FINISHED HOLE =  $\varnothing 0.34 \pm 0.05$   
 HOLE SIZE PRIOR TO PLATING =  $\varnothing 0.420 \pm 0.025$   
 COPPER THICKNESS = 0.025 MIN  
 IMMERSION TIN IF APPLICABLE = (0.00095)

4 GROUND PLATED THRU HOLE REQUIREMENTS:  
 FINISHED HOLE:  $0.37 \pm 0.05$   
 HOLE SIZE PRIOR TO PLATING:  $0.45 \pm 0.025$   
 COPPER THICKNESS: 0.025 MIN  
 IMMERSION TIN IF APPLICABLE: (0.00095)

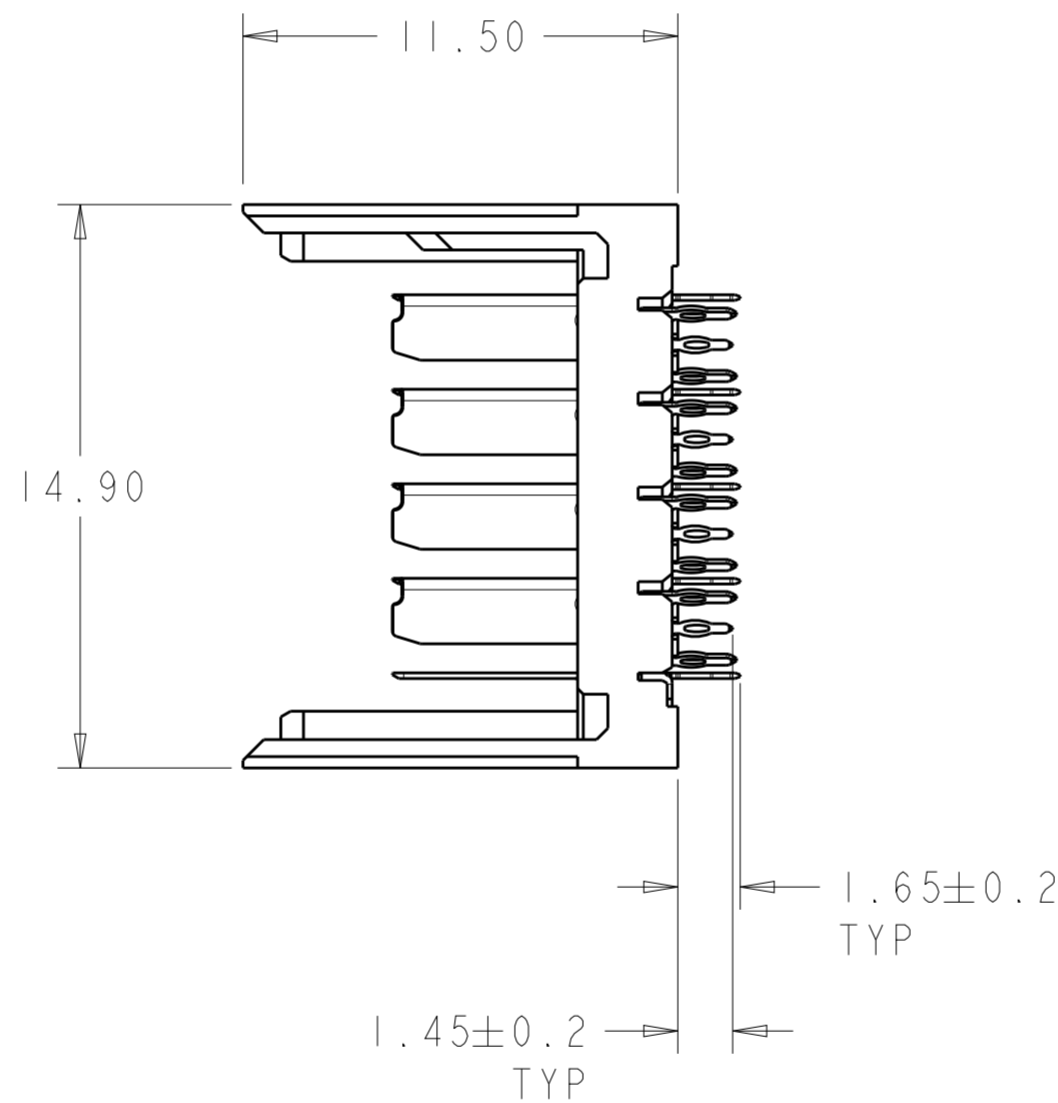
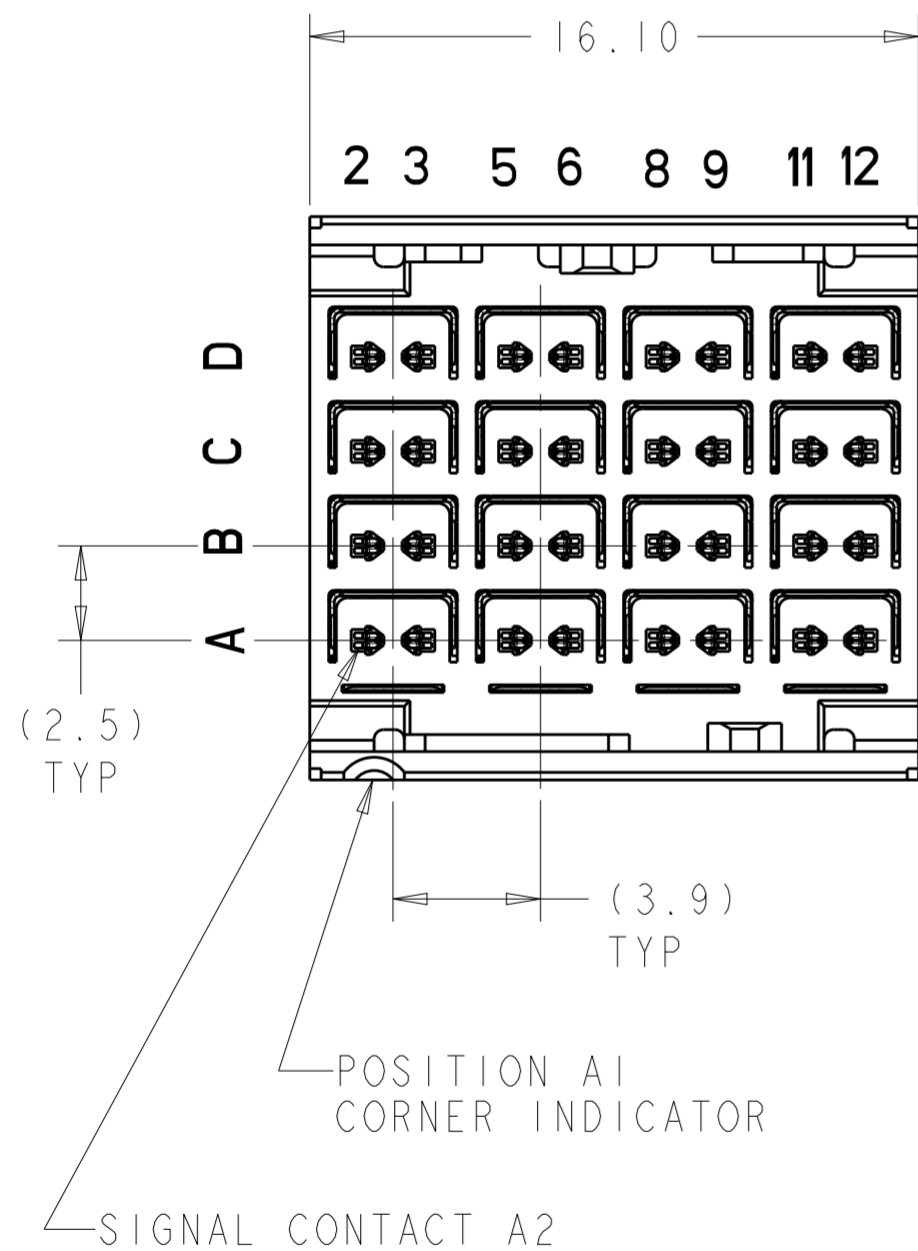
5 SI VIA PLATED THRU HOLE REQUIREMENTS:  
 HOLE SIZE PRIOR TO PLATING =  $0.450 \pm 0.025$   
 COPPER THICKNESS = MIN REQUIRED TO MEET REQUIRED ELECTRICAL PERFORMANCE

6 PTH DIMENSIONS APPLY TO THE TOP 1.00mm OF THE PCB THICKNESS FROM THE CONNECTOR MOUNTING SIDE.

7 CONNECTOR MARKED WITH PART NUMBER, DATE CODE, AND "92 OHM" IN APPROXIMATE AREA SHOWN.

8 DATUMS AND BASIC DIMENSIONS ESTABLISHED BY CUSTOMER.

9 APPLIES TO FINISHED HOLE DIAMETER.

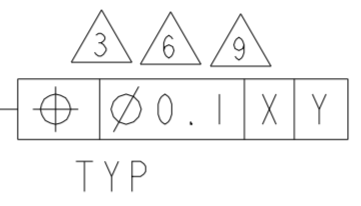
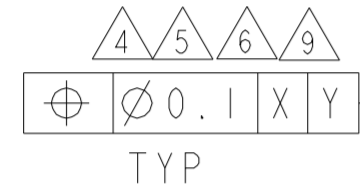
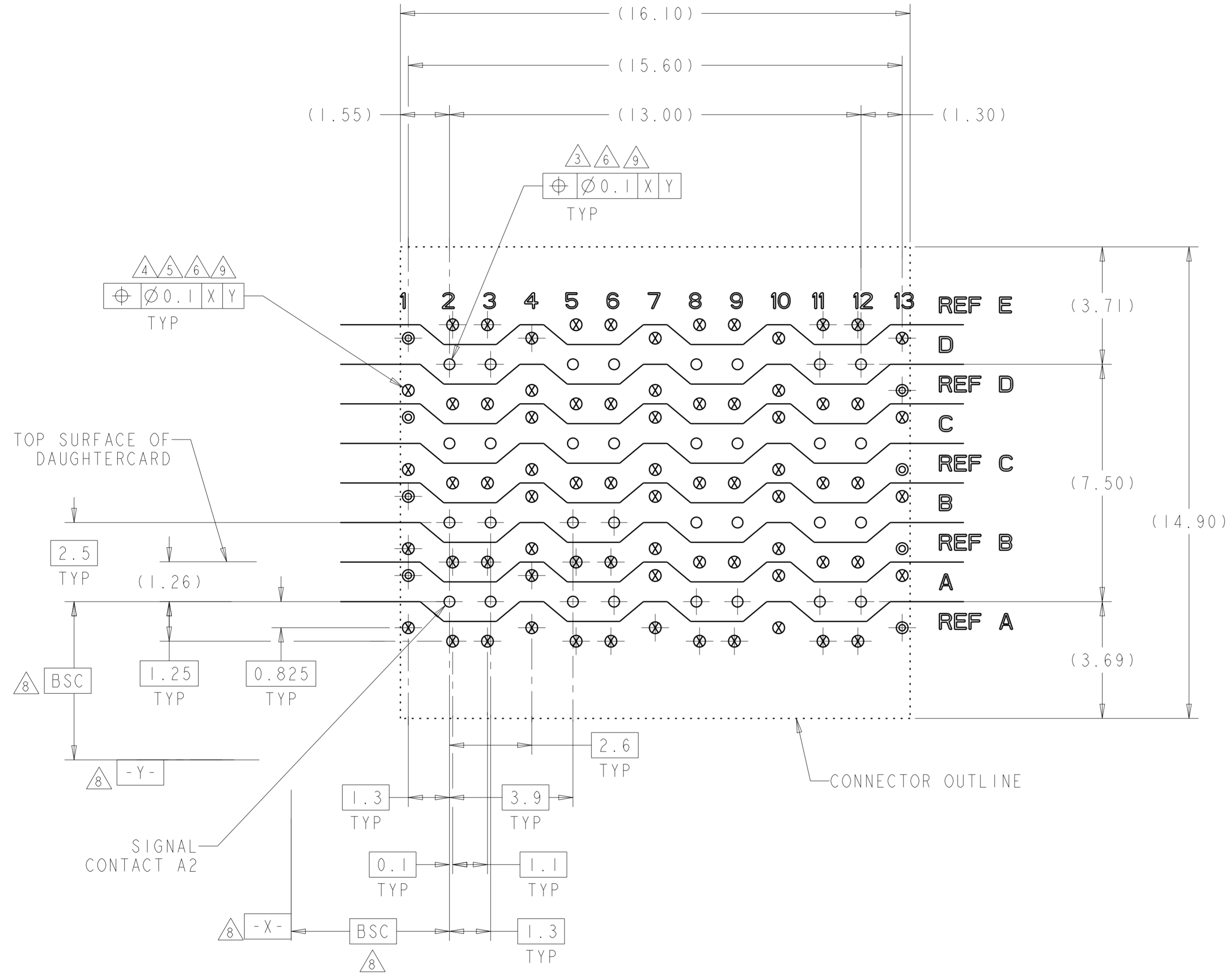


2187724-1  
 PART NO

THIS DRAWING IS A CONTROLLED DOCUMENT.		DWN 26FEB2019 AJITH PAI	TE Connectivity	
DIMENSIONS: mm		CHK 26FEB2019 R. PATTERSON		
TOLERANCES UNLESS OTHERWISE SPECIFIED:		APVD 26FEB2019 R. PATTERSON	NAME	
0 PLC ±	1 PLC ±	PRODUCT SPEC	HEADER ASSEMBLY, 4 PAIR 4 COLUMN, OPEN END WALL, BACKPLANE, 92 OHM PAIR-IN-ROW, STRADA WHISPER	
2 PLC ±0.13	3 PLC ±	APPLICATION SPEC	SIZE	RESTRICTED TO
4 PLC ±	ANGLES ±	114-32029	A2	
MATERIAL	FINISH	WEIGHT	CAGE CODE	DRAWING NO
material_2	finish_spec_2	-	A200779	C-2187724
CUSTOMER DRAWING			SCALE	SHEET
			5:1	1 OF 2
			REV	A

THIS DRAWING IS UNPUBLISHED. RELEASED FOR PUBLICATION 2017  
 © COPYRIGHT 2017 BY TE CONNECTIVITY ALL RIGHTS RESERVED.

REVISIONS				
P	LTR	DESCRIPTION	DATE	APVD
-	-	SEE SHEET 1	-	-



TOP SURFACE OF DAUGHTERCARD

CONNECTOR OUTLINE

SIGNAL CONTACT A2

- = SIGNAL
- ⊗ = GROUND
- ⊙ = SIGNAL INTEGRITY VIA TO GROUND

RECOMMENDED PCB LAYOUT,  
 COMPONENT SIDE SHOWN  
 SCALE 10:1

THIS DRAWING IS A CONTROLLED DOCUMENT.		DWN 26FEB2019 AJITH PAI	 TE Connectivity	NAME		
DIMENSIONS:		CHK 26FEB2019 R. PATTERSON		HEADER ASSEMBLY, 4 PAIR 4 COLUMN, OPEN END WALL, BACKPLANE, 92 OHM PAIR-IN-ROW, STRADA WHISPER		
TOLERANCES UNLESS OTHERWISE SPECIFIED:		APVD 26FEB2019 R. PATTERSON		SIZE	CAGE CODE	DRAWING NO
mm	0 PLC ± 1 PLC ± 2 PLC ±0.13 3 PLC ± 4 PLC ±	PRODUCT SPEC 108-32021		A2	00779	C-2187724
MATERIAL	FINISH	APPLICATION SPEC 114-32029	WEIGHT	RESTRICTED TO		
material_2	finish_spec_2	CUSTOMER DRAWING	SCALE 3:1	SHEET 2 OF 2	REV A	