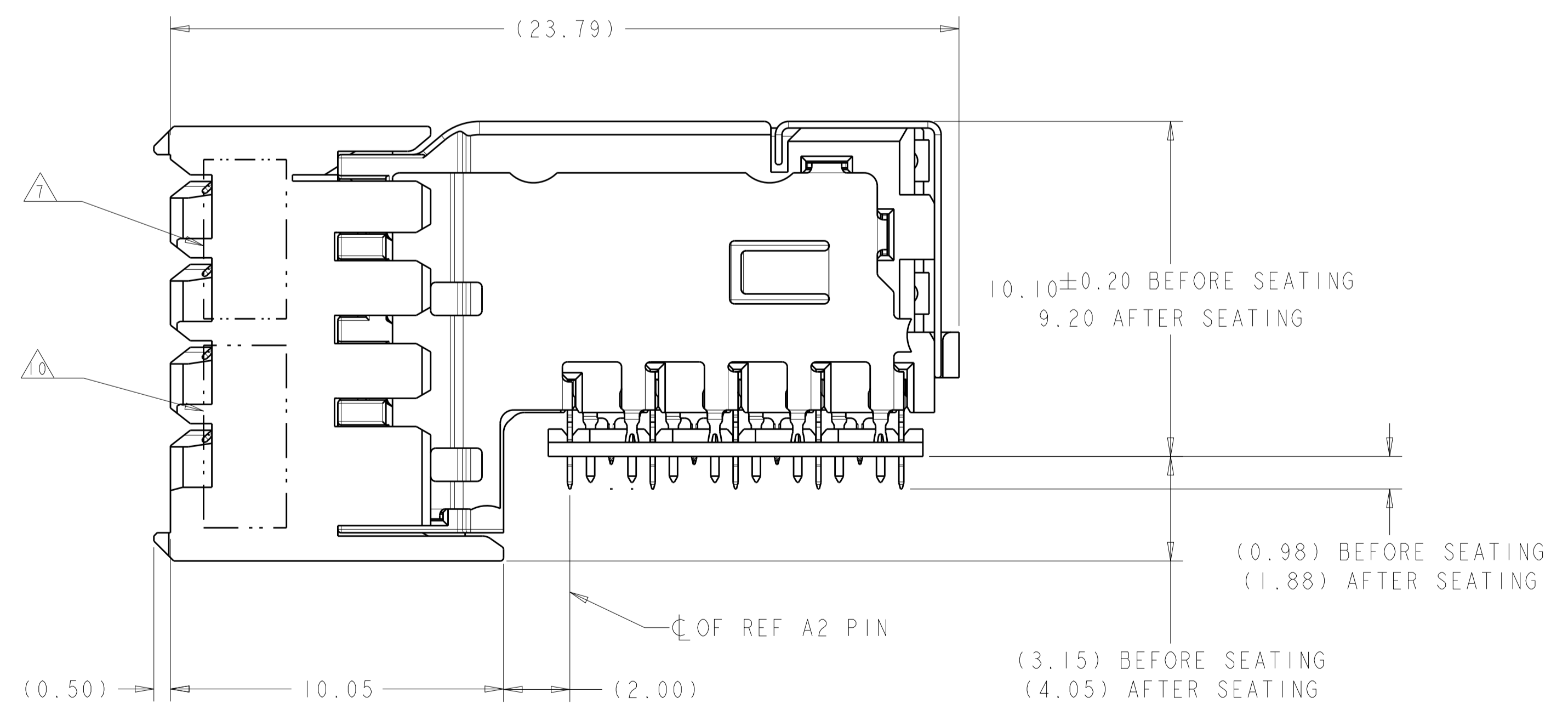
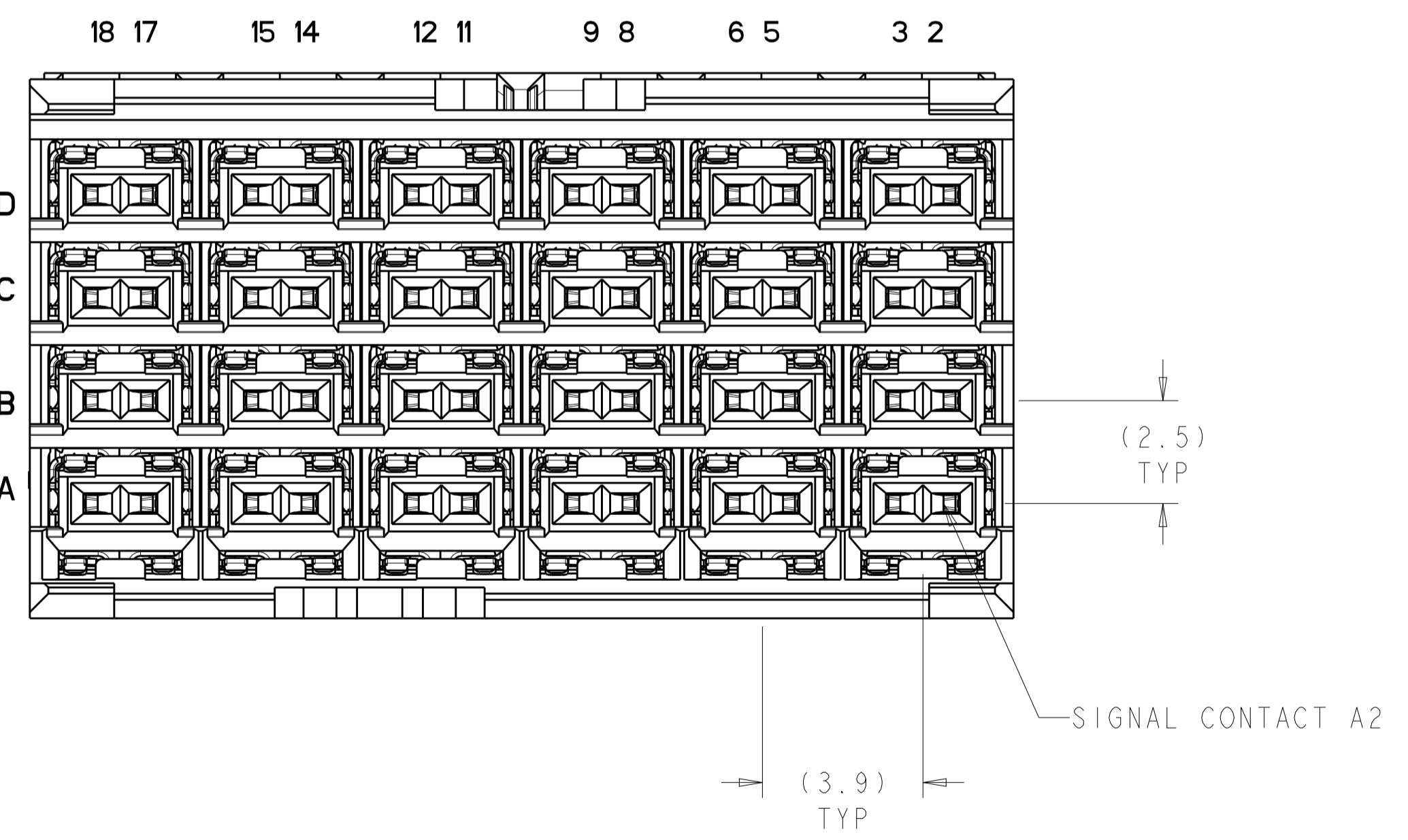
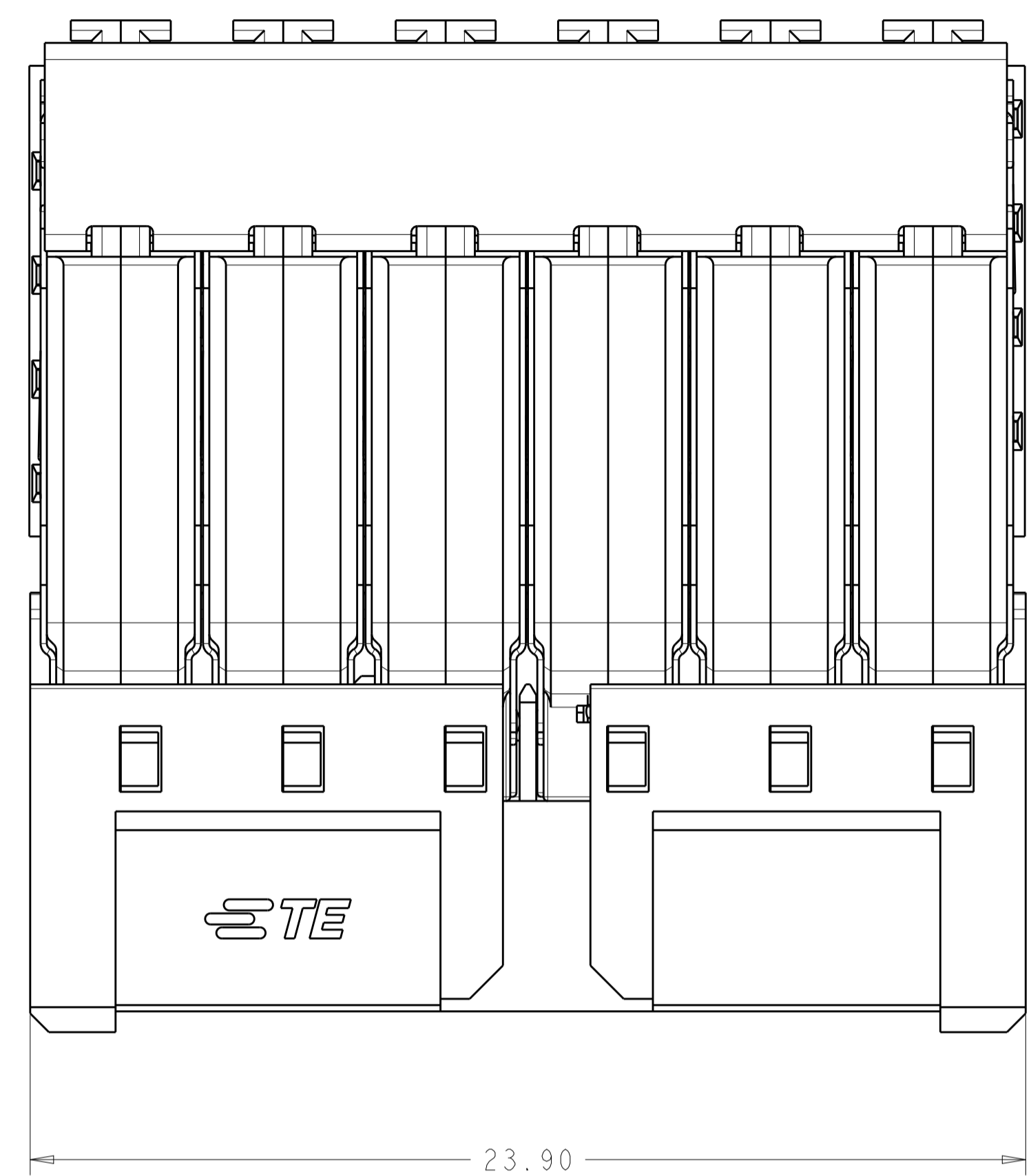


REVISONS		DATE	OWN	APVD
LOC	DIST			
A		02FEB2016	AP	RP
B		13MAY2016	AP	RP
C		14MAR2017	AP	RP
D		27AUG2018	AP	RP

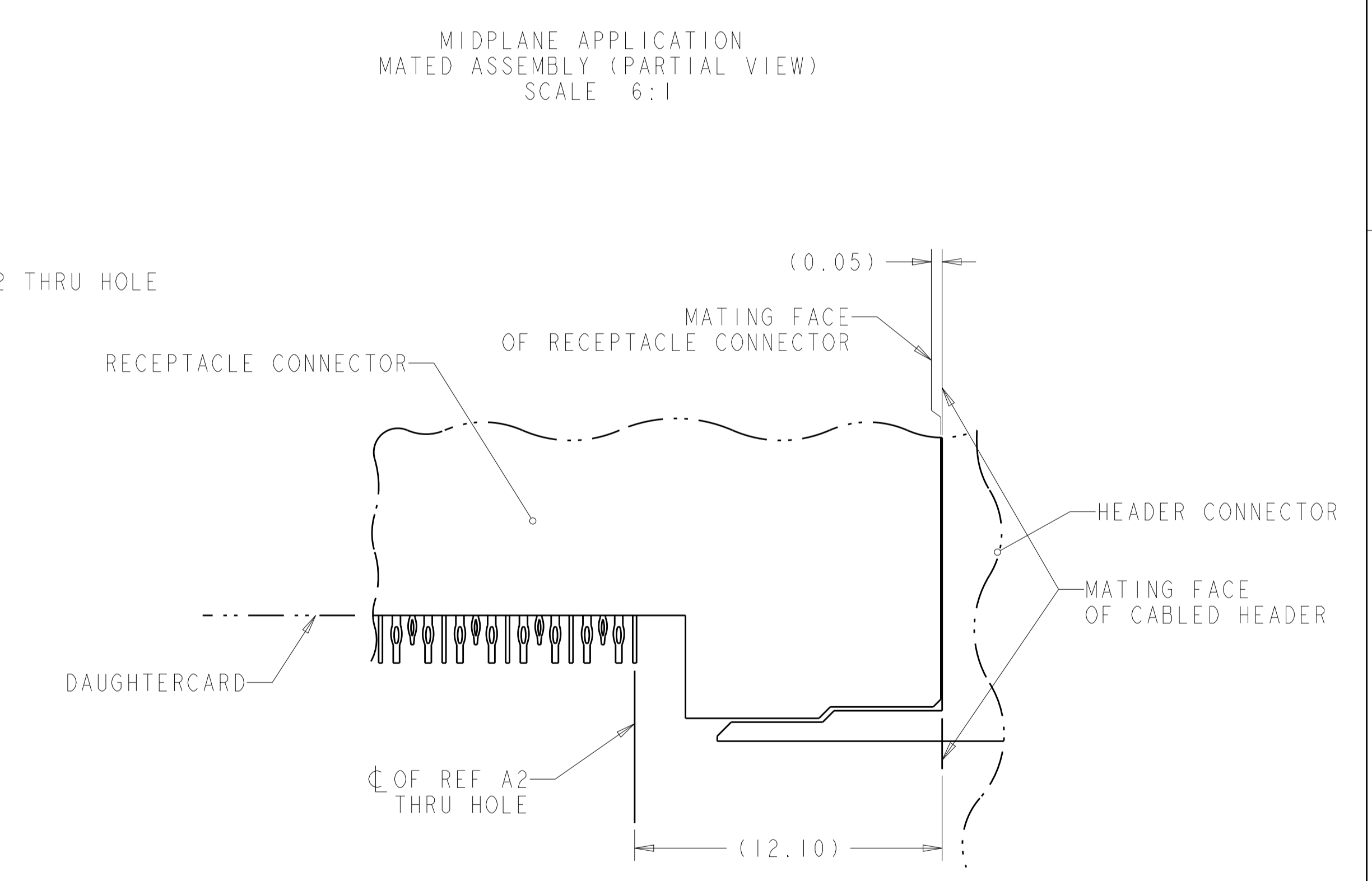
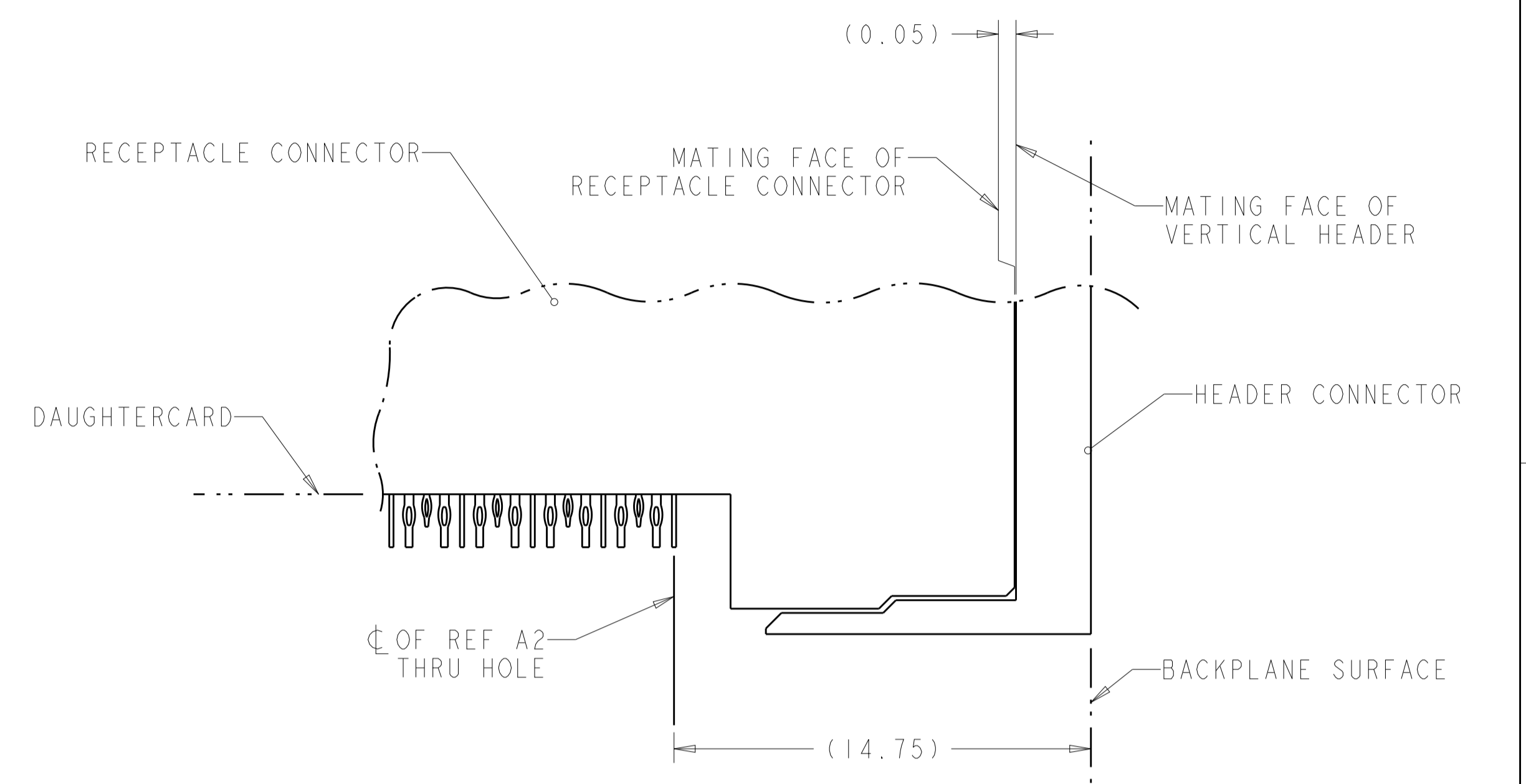
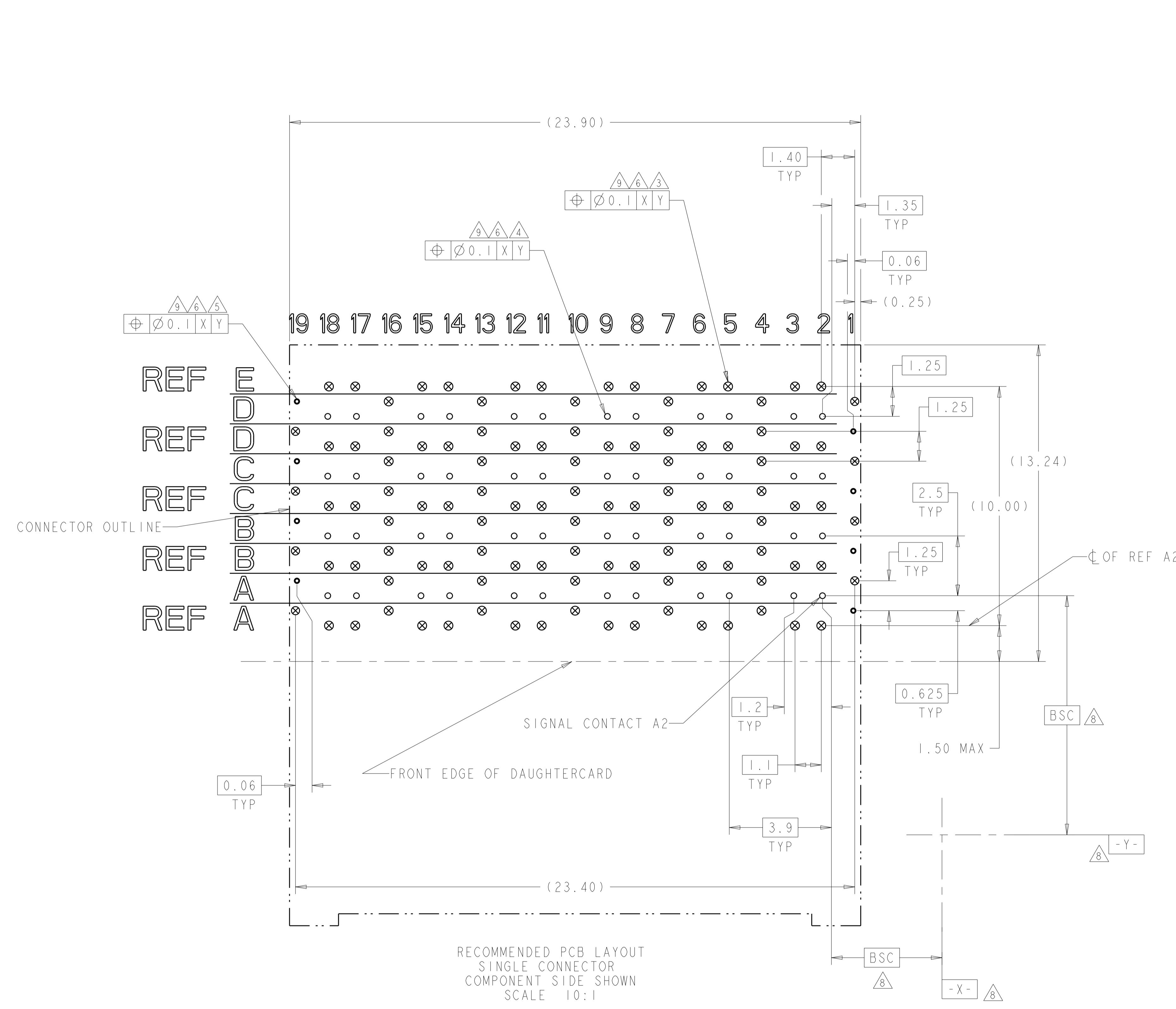


- 1 MATERIAL:
 CONTACT AND SHIELD - COPPER ALLOY.
 ORGANIZER - STAINLESS STEEL.
 HOUSING, GROUND SHIELD HOUSING AND PIN SPACER - THERMOPLASTIC.
- 2 FINISH:
 - CONFORMS TO THE REQUIREMENTS OF TE PRODUCT SPECIFICATION 108-32021
 BASED ON TELCORDIA GR-1217-CORE FOR SYSTEM QUALITY LEVEL III,
 APPLICATIONS IN CONTROLLED ENVIRONMENTS (CENTRAL OFFICE).
 - COMPLIANT PIN AREA: 0.5µm MIN MATTE TIN.
- 3 GROUND PLATED THRU HOLE REQUIREMENTS:
 FINISHED HOLE = $\varnothing 0.34 \pm 0.05$
 HOLE SIZE PRIOR TO PLATING = $\varnothing 0.420 \pm 0.025$
 COPPER THICKNESS = 0.025 MIN
 IMMERSION TIN IF APPLICABLE = 0.00095 REF
- 4 SIGNAL PLATED THRU HOLE REQUIREMENTS:
 FINISHED HOLE = $\varnothing 0.24 \pm 0.04$
 HOLE SIZE PRIOR TO PLATING = $\varnothing 0.320 \pm 0.025$
 COPPER THICKNESS = 0.025 MIN
 IMMERSION TIN IF APPLICABLE = 0.00095 REF
- 5 SI VIA PLATED THRU HOLE REQUIREMENTS:
 HOLE SIZE PRIOR TO PLATING = 0.300+/-0.025
 COPPER THICKNESS = MIN REQUIRED TO MEET REQUIRED ELECTRICAL PERFORMANCE
- 6 SI VIAS & SIGNAL HOLES:
 PTH DIMENSIONS APPLY TO THE TOP 1.00mm OF THE PCB THICKNESS FROM THE
 CONNECTOR MOUNTING SIDE.
 GROUND HOLES:
 PTH DIMENSIONS APPLY TO THE TOP 1.25mm OF THE PCB THICKNESS FROM THE
 CONNECTOR MOUNTING SIDE.
- 7 CONNECTOR MARKED WITH PART NUMBER, DATE CODE, AND "100 OHM"
 IN APPROXIMATE AREA SHOWN.
- 8 DATUMS AND BASIC DIMENSIONS ESTABLISHED BY CUSTOMER
- 9 APPLIES TO FINISHED HOLE DIAMETER.
- 10 DATAMATRIX BARCODE MARKING IN THIS AREA.

2187658-1
 PART NO

THIS DRAWING IS A CONTROLLED DOCUMENT.		OWN J. McCLINTON 07DEC2015	TE Connectivity NAME RIGHT ANGLE RECEPTACLE ASSEMBLY, 4 PAIR, 6 COLUMN, 100 OHM PAIR IN ROW, STRADA WHISPER	
DIMENSIONS: mm		CHK R. PATTERSON 07DEC2015		
TOLERANCES UNLESS OTHERWISE SPECIFIED:		APVD R. PATTERSON 07DEC2015	PRODUCT SPEC	
0 PLC	±	APPLICATION SPEC	SIZE	
2 PLC	± 0.13	WEIGHT	RESTRICTED TO	
3 PLC	±	CUSTOMER DRAWING	SCALE 8:1 SHEET 1 OF 2 REV D	
4 PLC	±			
ANGLES	±			
FINISH	±			

LOC		DIST		REVISIONS			
P	LTN	DESCRIPTION	DATE	DMN	APVD		
-	-	SEE SHEET 1	-	-	-	-	-



THIS DRAWING IS A CONTROLLED DOCUMENT.		DMN J. McCLINTON 07DEC2015	TE Connectivity	
DIMENSIONS:		CHK R. PATTERSON 07DEC2015	NAME RIGHT ANGLE RECEPTACLE ASSEMBLY, 4 PAIR, 6 COLUMN, 100 OHM PAIR IN ROW, STRADA WHISPER	
mm	TOLERANCES UNLESS OTHERWISE SPECIFIED:	APVD R. PATTERSON 07DEC2015	PRODUCT SPEC	
	0 PLC ±		APPLICATION SPEC	
	1 PLC ± 0.13		SIZE CAGE CODE DRAWING NO	
	2 PLC ±		RESTRICTED TO	
	3 PLC ±		A100779C=2187658	
	4 PLC ±		SCALE 1:1 SHEET 2 OF 2 REV D	
	ANGLES ±		CUSTOMER DRAWING	
MATERIAL	FINISH	WEIGHT		