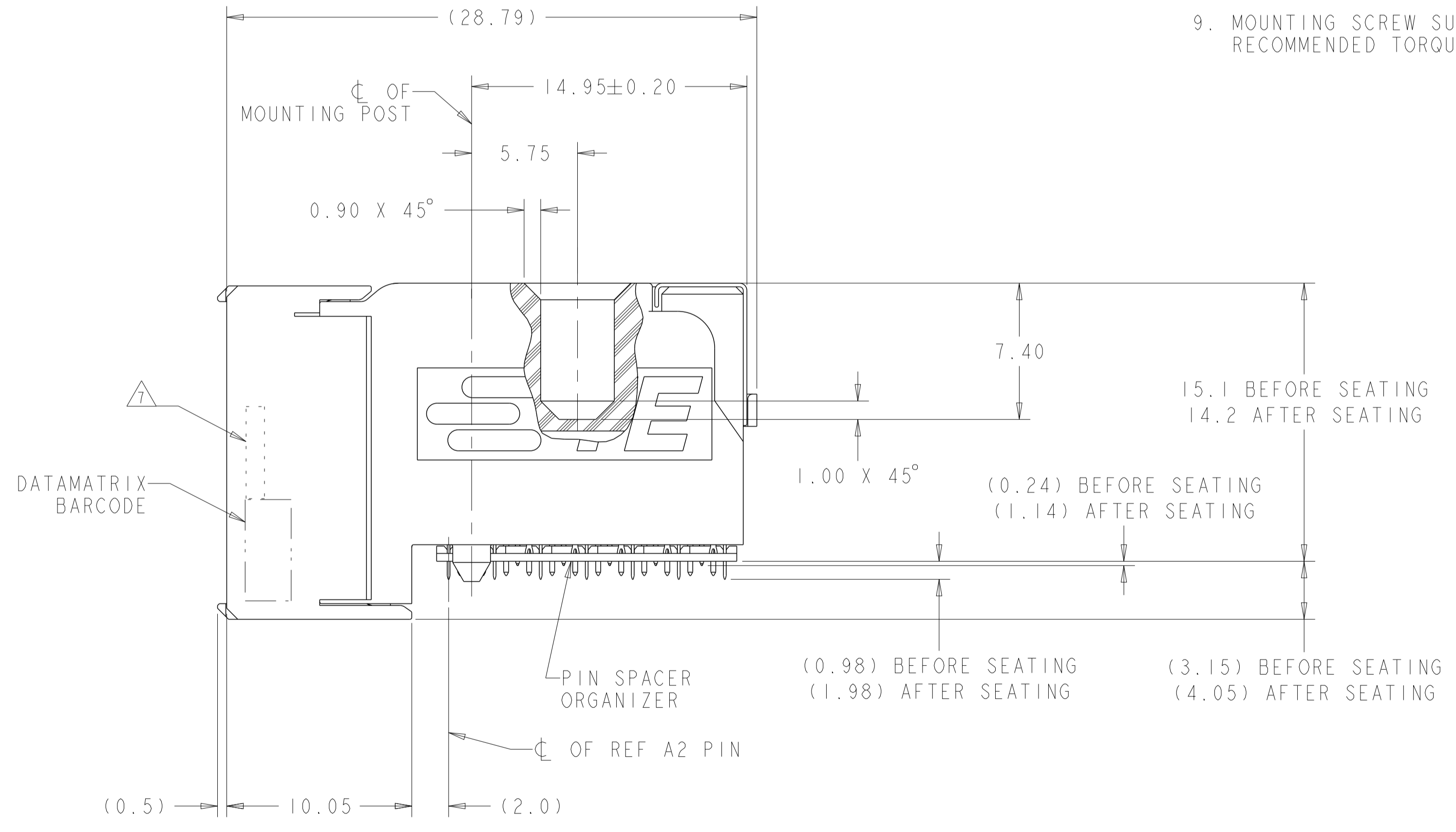
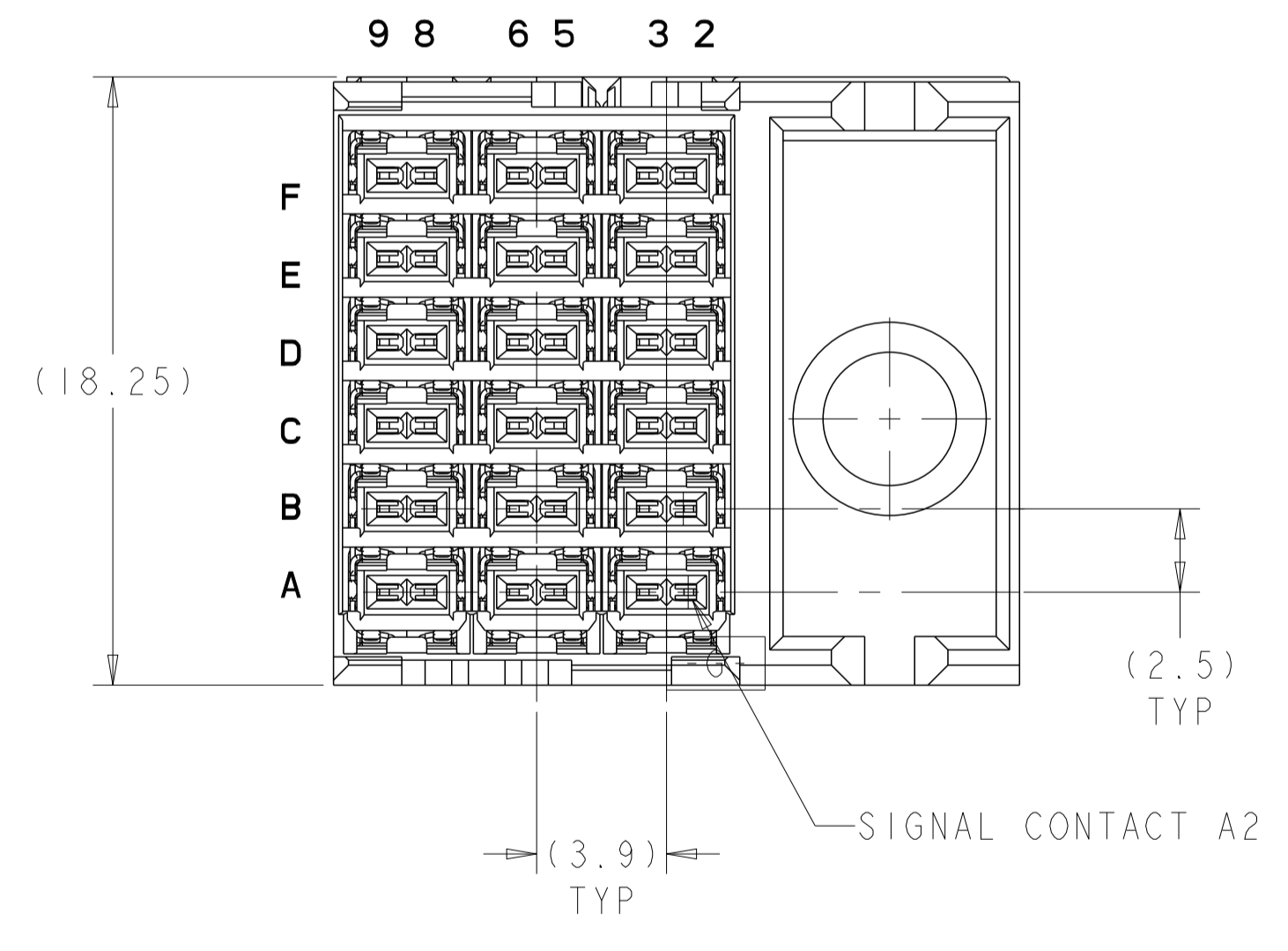
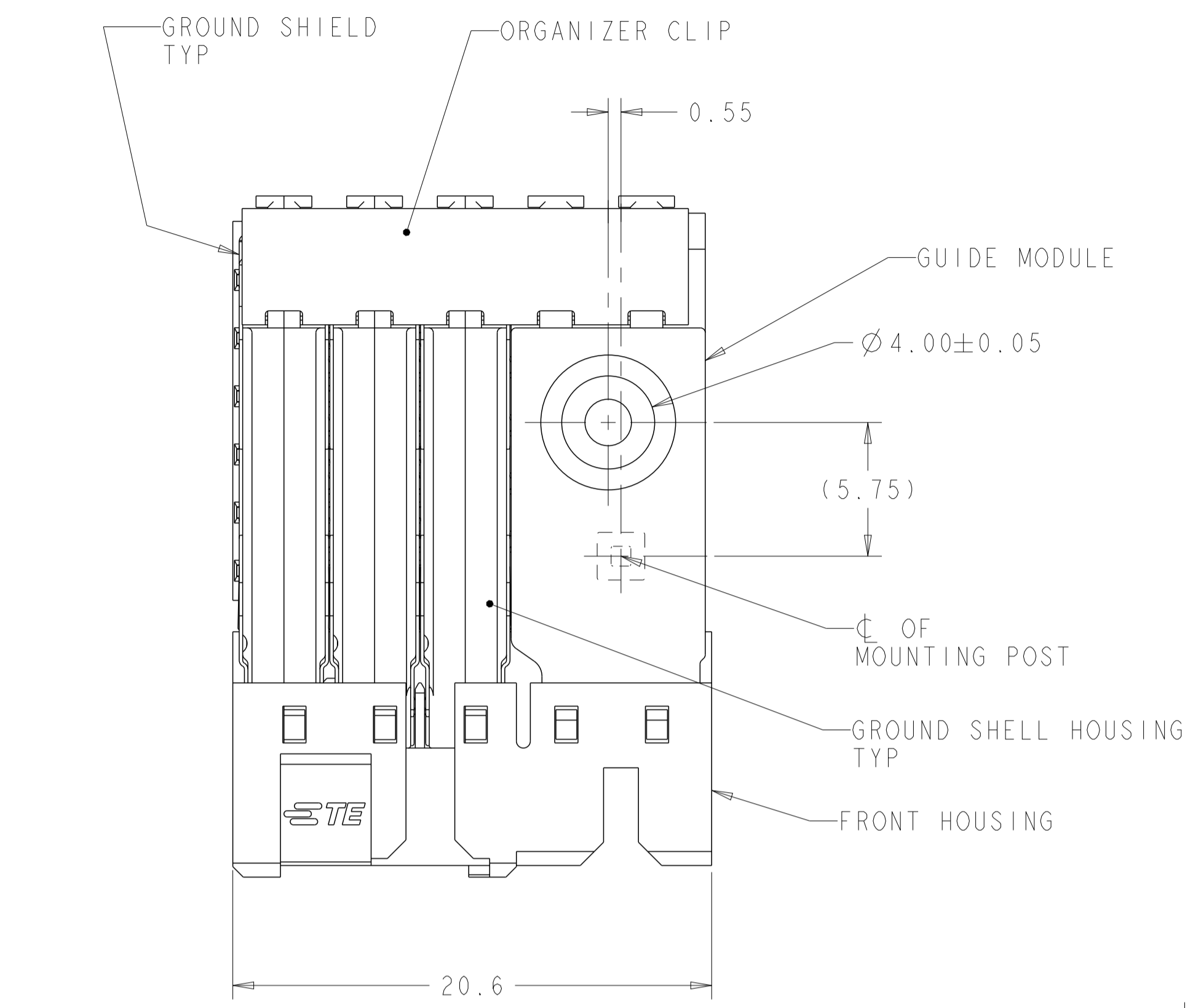


LOC		DIST		REVISIONS			
P	LTN	DESCRIPTION	DATE	DWN	APVD		
1		INITIAL RELEASE	04JUN2014	NE	SF		
2		UPDATED	07DEC2016	JM	RP		
3		REMOVE PRELIMINARY STAMP	17FEB2017	MH	DS		
A		REVISED PER ECO-17-014865	11OCT2017	AP	RP		

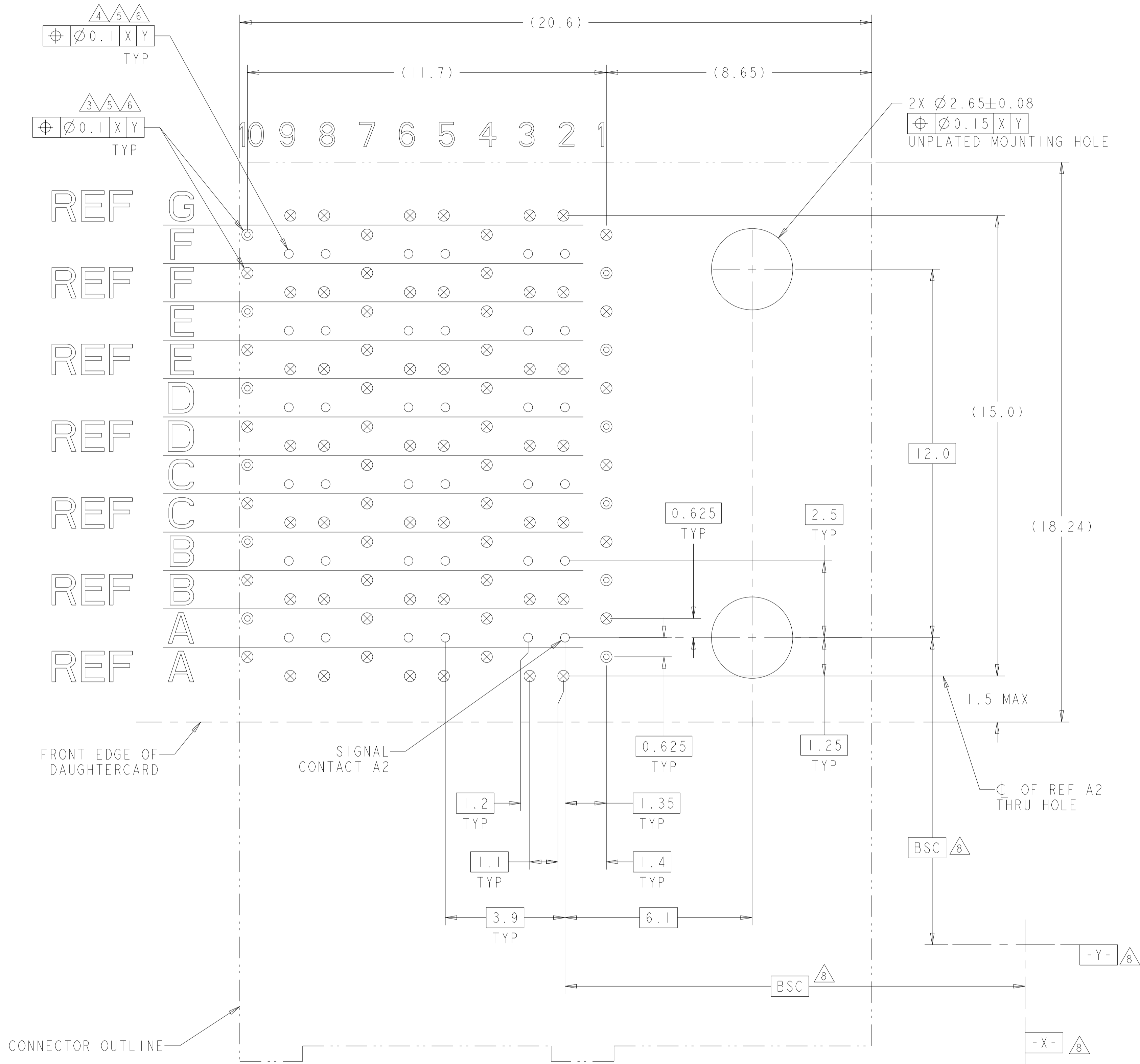


- △ MATERIAL:
 CONTACTS AND SHIELDS - COPPER ALLOY
 ORGANIZER CLIP - STAINLESS STEEL
 FRONT HOUSING, GROUND SHELL HOUSINGS, GUIDE MODULE, AND
 PIN SPACER ORGANIZER - THERMOPLASTIC, UL 94V-0, BLACK
- △ FINISH:
 - CONFORMS TO THE REQUIREMENTS OF TE PRODUCT SPECIFICATION 108-32021
 BASED ON TELCORDIA GR-1217-CORE FOR SYSTEM QUALITY LEVEL III,
 APPLICATIONS IN CONTROLLED ENVIRONMENTS (CENTRAL OFFICE).
 - COMPLIANT PIN AREA: 0.5µm MIN MATTE TIN.
- △ GROUND AND SI VIA PLATED THRU HOLE REQUIREMENTS:
 FINISHED HOLE = Ø0.37±0.05
 HOLE SIZE PRIOR TO PLATING = Ø0.450±0.025
 COPPER THICKNESS = 0.025 MIN
 IMMERSION TIN IF APPLICABLE = (0.00095)
- △ SIGNAL PLATED THRU HOLE REQUIREMENTS:
 FINISHED HOLE = Ø0.29±0.05
 HOLE SIZE PRIOR TO PLATING = Ø0.368±0.025 (#79 DRILL)
 COPPER THICKNESS = 0.025 MIN
 IMMERSION TIN IF APPLICABLE = (0.00095)
- △ APPLIES TO FINISHED HOLE DIAMETER.
- △ SIGNAL HOLES AND SI VIAS:
 PTH DIMENSIONS APPLY TO THE TOP 1.00mm OF THE PCB THICKNESS FROM THE
 CONNECTOR MOUNTING SIDE.
 GROUND HOLES:
 PTH DIMENSIONS APPLY TO THE TOP 1.25mm OF THE PCB THICKNESS FROM THE
 CONNECTOR MOUNTING SIDE.
- △ CONNECTOR MARKED WITH PART NUMBER, DATE CODE, AND "85 OHM" IN
 APPROXIMATE AREA SHOWN.
- △ DATUMS AND BASIC DIMENSIONS ESTABLISHED BY CUSTOMER.
- 9. MOUNTING SCREW SUPPLIED WITH CONNECTOR. SCREW TO BE FULLY TIGHTENED.
 RECOMMENDED TORQUE: 0.23 N-m [2.0 IN-LB]

2187605-1
 PART NO

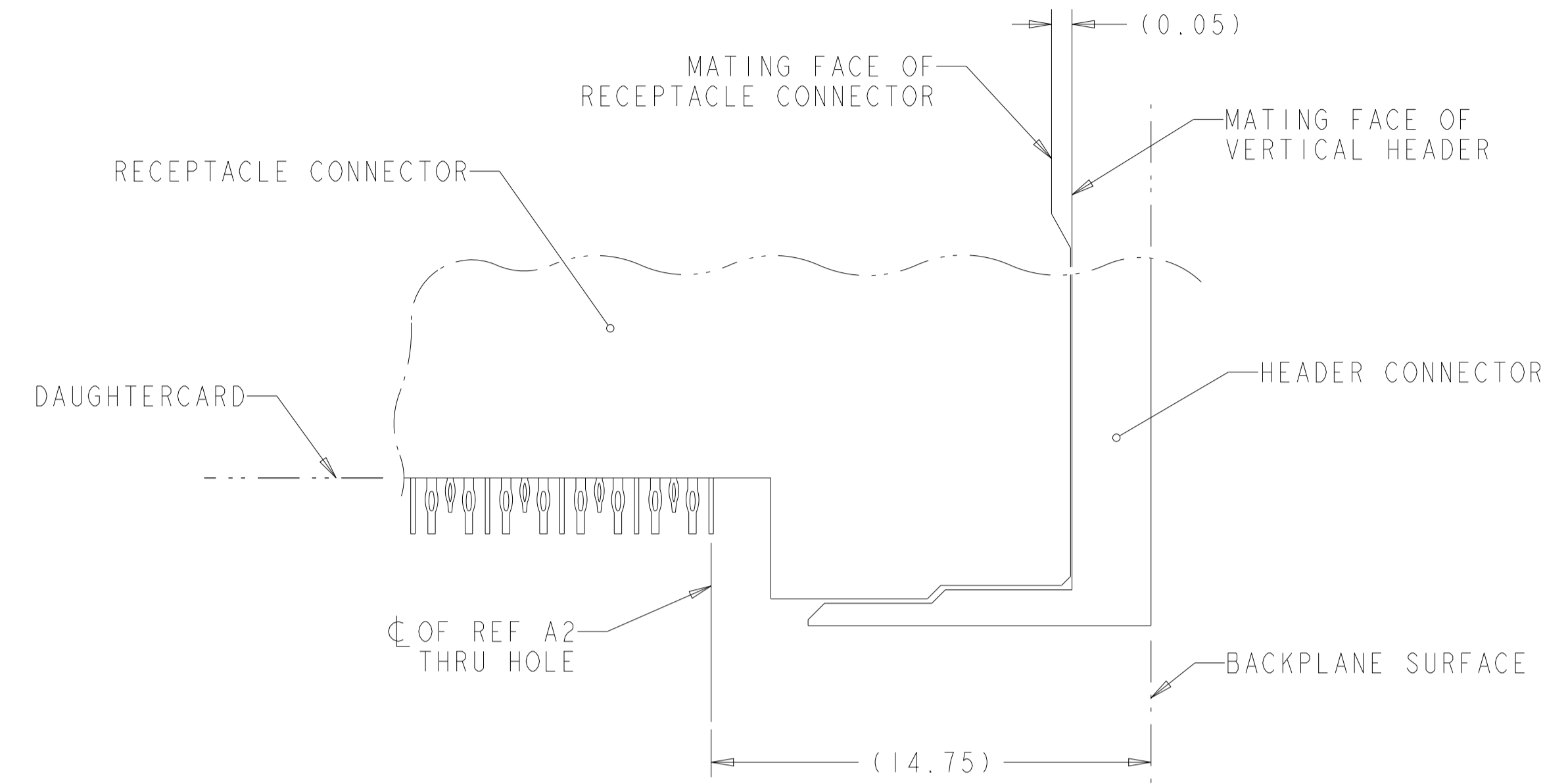
THIS DRAWING IS A CONTROLLED DOCUMENT.		DWN: S. J. MAGARO 04JUN2014	TE Connectivity
DIMENSIONS: mm		CHK: N. EVANS 04JUN2014	
TOLERANCES UNLESS OTHERWISE SPECIFIED:		APVD: S. FLICKINGER 04JUN2014	NAME: RA RECEPTACLE ASSEMBLY, 85 OHM, 6 PAIR, 3 COLUMN, GUIDED, PAIR-IN-ROW, STRADA WHISPER PRODUCT SPEC: 108-32021 APPLICATION SPEC: 114-32029
0 PLC ± 1 PLC ±0.2 2 PLC ±0.13 3 PLC ± 4 PLC ± ANGLES ± FINISH ±		SIZE: A1 CAGE CODE: 00779 DRAWING NO: C=2187605 WEIGHT: - CUSTOMER DRAWING	
MATERIAL: △		SCALE: 5:1	RESTRICTED TO: -
		SHEET: 1 OF 2	REV: A

LOC	DIST	REV	DATE	BY	APPV
		1			
		2			
		3			
		4			
		5			
		6			
		7			
		8			

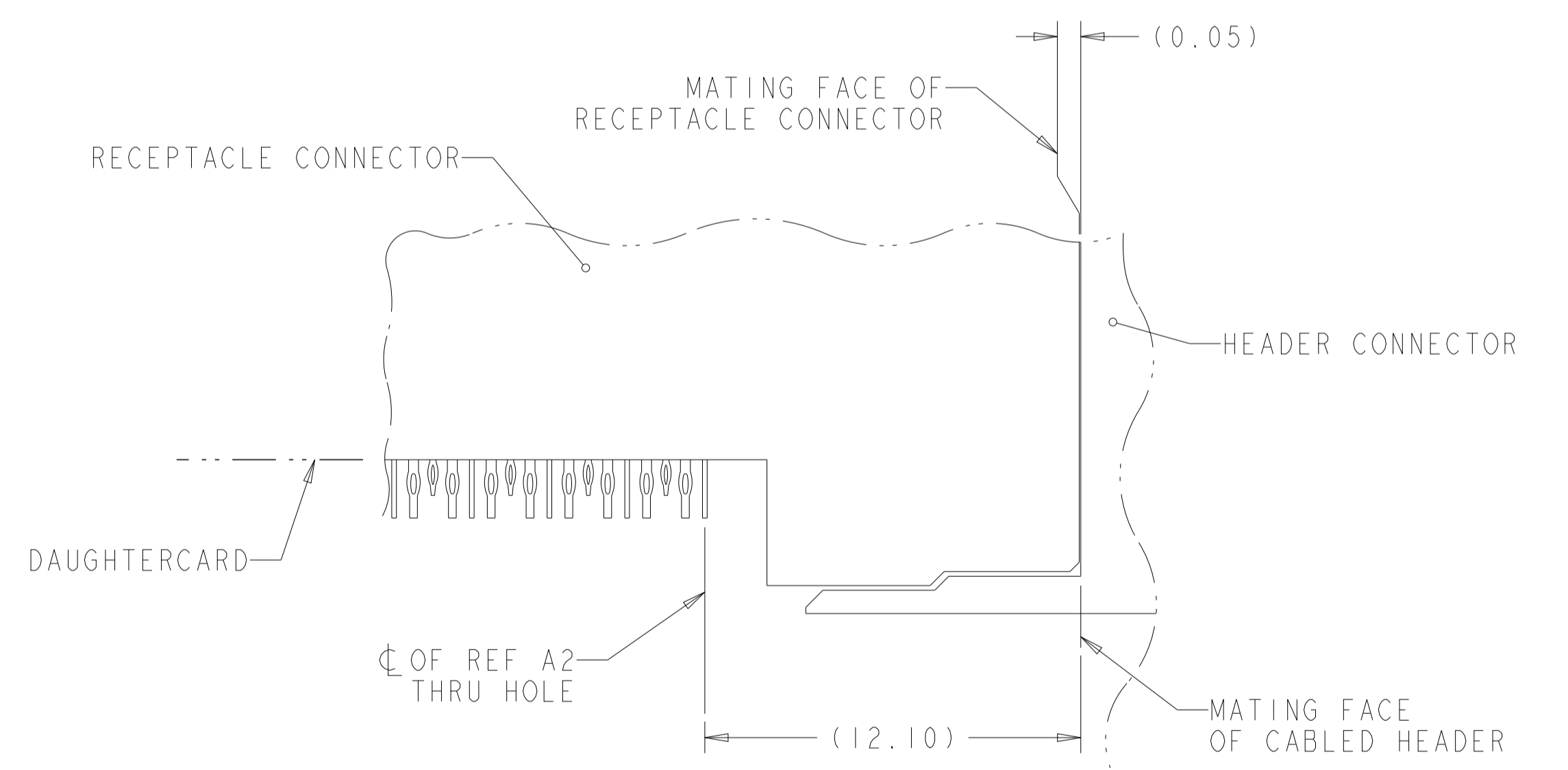


RECOMMENDED PCB LAYOUT
 COMPONENT SIDE SHOWN
 SCALE 12:1

- = SIGNAL
- ⊗ = GROUND
- ⊙ = SIGNAL INTEGRITY VIA TO GROUND



MIDPLANE APPLICATION
 MATED ASSEMBLY (PARTIAL VIEW)
 SCALE 6:1



CABLED HEADER APPLICATIONS
 MATED ASSEMBLY (PARTIAL VIEW)
 SCALE 6:1

THIS DRAWING IS A CONTROLLED DOCUMENT.		OWN: S. J. MAGARO 04JUN2014	TE Connectivity
DIMENSIONS: mm		CHK: N. EVANS 04JUN2014	
TOLERANCES UNLESS OTHERWISE SPECIFIED:		APV: S. FLICKINGER 04JUN2014	NAME: RA RECEPTACLE ASSEMBLY, 85 OHM, 6 PAIR, 3 COLUMN, GUIDED, PAIR-IN-ROW, STRADA WHISPER
0 PLC	±0.2	PRODUCT SPEC	108-32021
1 PLC	±0.13	APPLICATION SPEC	114-32029
2 PLC	±0.13	SIZE	A1
3 PLC	±0.13	CAGE CODE	00779
4 PLC	±0.13	DRAWING NO	2187605
ANGLES	±0.13	WEIGHT	
MATERIAL	FINISH	CUSTOMER DRAWING	SCALE 5:1 SHEET 2 OF 2 REV A