

REVISIONS					
P	LTR	DESCRIPTION	DATE	DWN	APVD
C		LC20-0092-20 / ECO-20-013986	07OCT2020	JG	BJ

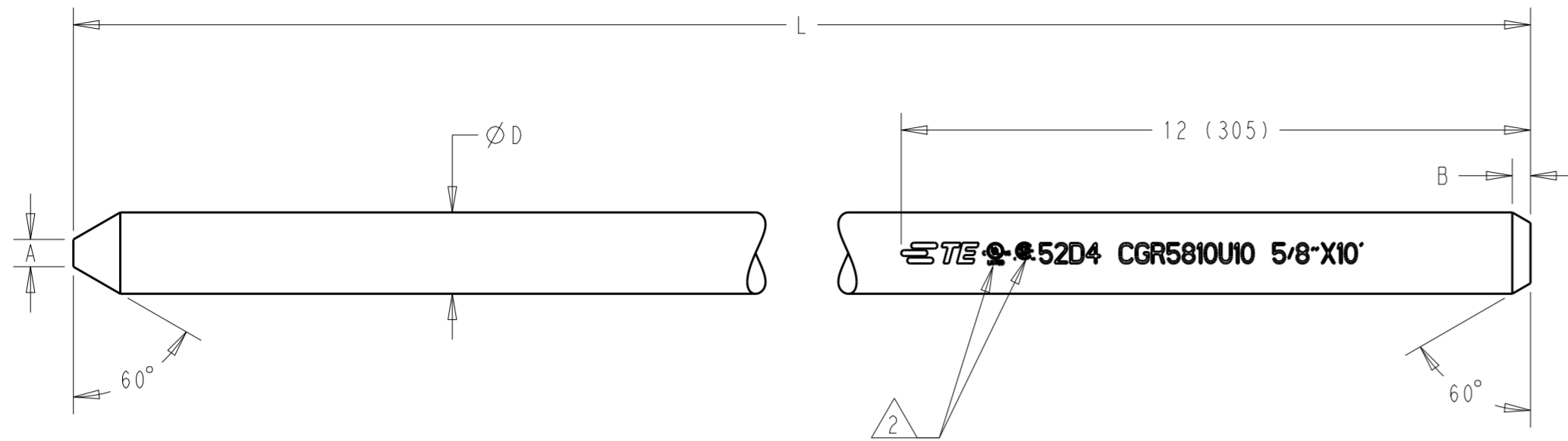


FIGURE 1
(WITH cULus LOGO)

1. COPPER PLATING THICKNESS:
10 mil (254 microns).
2. cULus & CSA LISTING FOR 10' RODS.
3. UL LISTING FOR 8' RODS.
4. ALL DIMENSIONS ARE FORE REFERENCE ONLY.

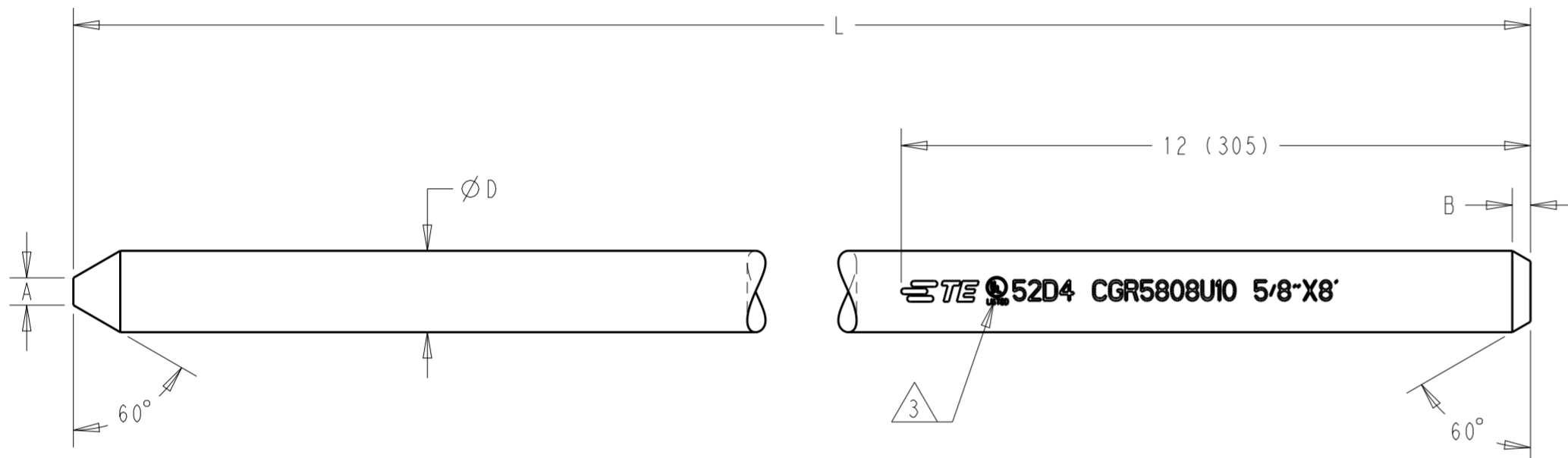


FIGURE 2
(WITH UL LOGO)

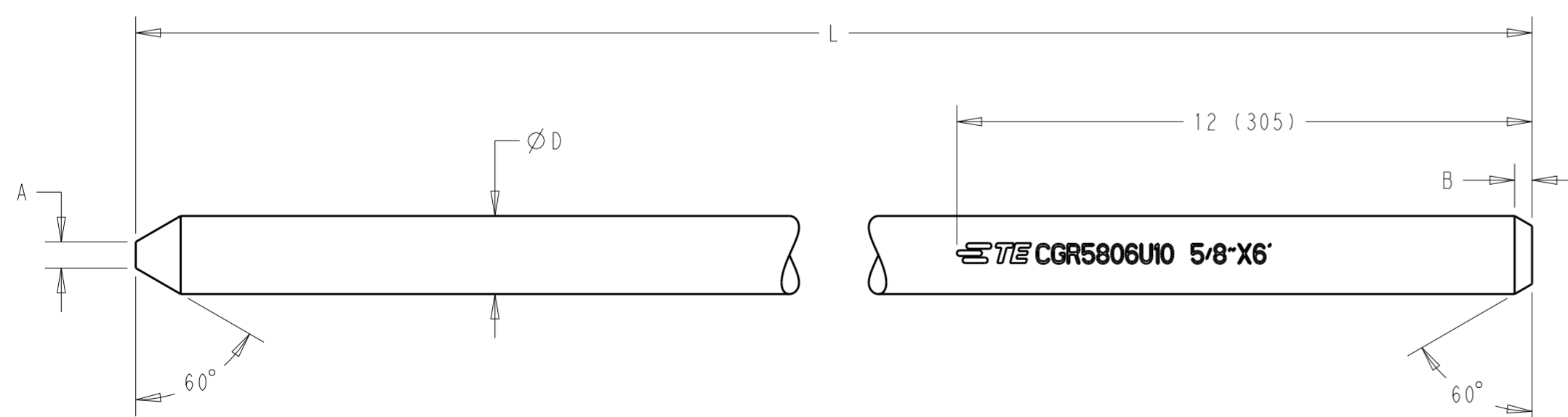


FIGURE 3
(WITHOUT UL LOGO)

1	6	12.65 (5.74)	10 (3050)	.125 (3.2)	.250 (6.4)	.681 (17.3)	3/4	CGR3410U10	EN3751-188
2	8	10.05 (4.56)	8 (2440)	.125 (3.2)	.250 (6.4)	.681 (17.3)	3/4	CGR3408U10	EN3751-187
3		7.47 (3.39)	6 (1830)	.125 (3.2)	.250 (6.4)	.681 (17.3)	3/4	CGR3406U10	EN3751-186
		6.26 (2.84)	5 (1525)	.125 (3.2)	.250 (6.4)	.681 (17.3)	3/4	CGR3405U10	EN3751-185
		5.05 (2.29)	4 (1220)	.125 (3.2)	.250 (6.4)	.681 (17.3)	3/4	CGR3404U10	EN3751-184
1	6	8.51 (3.86)	10 (3050)	.125 (3.2)	.188 (4.8)	.559 (14.2)	5/8	CGR5810U10	EN3751-183
2	8	6.83 (3.10)	8 (2440)	.125 (3.2)	.188 (4.8)	.559 (14.2)	5/8	CGR5808U10	EN3751-182
3		5.07 (2.30)	6 (1830)	.125 (3.2)	.188 (4.8)	.559 (14.2)	5/8	CGR5806U10	EN3751-181
		4.23 (1.92)	5 (1525)	.125 (3.2)	.188 (4.8)	.559 (14.2)	5/8	CGR5805U10	EN3751-180
		3.37 (1.53)	4 (1220)	.125 (3.2)	.188 (4.8)	.559 (14.2)	5/8	CGR5804U10	EN3751-179
1	6	6.75 (3.06)	10 (3050)	.094 (2.4)	.188 (4.8)	.500 (12.7)	1/2	CGR1210U10	EN3751-178
2	8	5.40 (2.45)	8 (2440)	.094 (2.4)	.188 (4.8)	.500 (12.7)	1/2	CGR1208U10	EN3751-177
3		4.08 (1.85)	6 (1830)	.094 (2.4)	.188 (4.8)	.500 (12.7)	1/2	CGR1206U10	EN3751-176
		3.40 (1.54)	5 (1525)	.094 (2.4)	.188 (4.8)	.500 (12.7)	1/2	CGR1205U10	EN3751-175
		2.73 (1.24)	4 (1220)	.094 (2.4)	.188 (4.8)	.500 (12.7)	1/2	CGR1204U10	EN3751-174
FIGURE		WEIGHT lbs (kg)	L FEET (mm)	B	A	ØD	NOMINAL DIAMETER	CATALOG NO.	PART NO.

THIS DRAWING IS A CONTROLLED DOCUMENT.

DWN	J. GUPPY	30 JUL 2020
CHK	J. OPEL	28 SEP 2020
APVD	B. JOHNSON	05 OCT 2020

STE TE Connectivity

NAME: GROUND ROD, UNTHREADED COPPER COATED 10 mil (254 microns)

SIZE	CAGE CODE	DRAWING NO	RESTRICTED TO
A2	00779	C-2182934	-

MATERIAL: STEEL CORE

TOLERANCES UNLESS OTHERWISE SPECIFIED:
 0 PLC ±
 1 PLC ±
 2 PLC ±
 3 PLC ±
 4 PLC ±
 ANGLES ±
 FINISH

PRODUCT SPEC: -
 APPLICATION SPEC: -
 WEIGHT: -

CUSTOMER DRAWING

SCALE: NTS SHEET 1 OF 1 REV C