

P	LTR	DESCRIPTION	DATE	DWN	APVD
A		INITIAL REL PER LC20-0101-19	16SEP2019	JG	BJ
AI		LC20-0031-20 / ECO-20-006723	13MAY2020	JG	BJ
B		PAD THICKNESS DIM D ADDED IN TABLE	22OCT2021	RS	CG
C		PART NUMBER 2182863-8 ADDED IN TABLE	26OCT2021	MP	JG

C290

R529

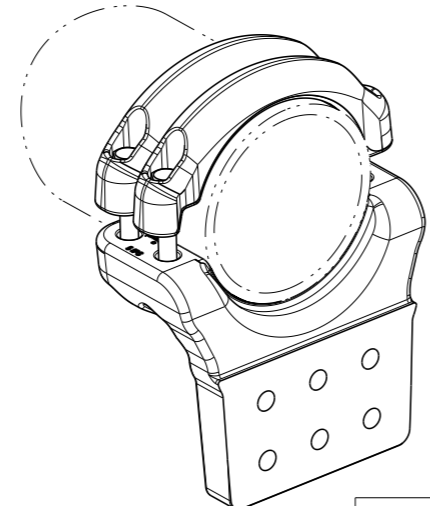
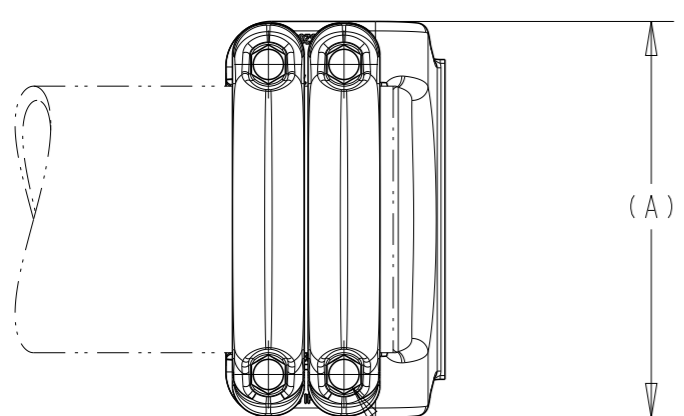
R564

1. ACCOMMODATES:  
SEE TABLE.

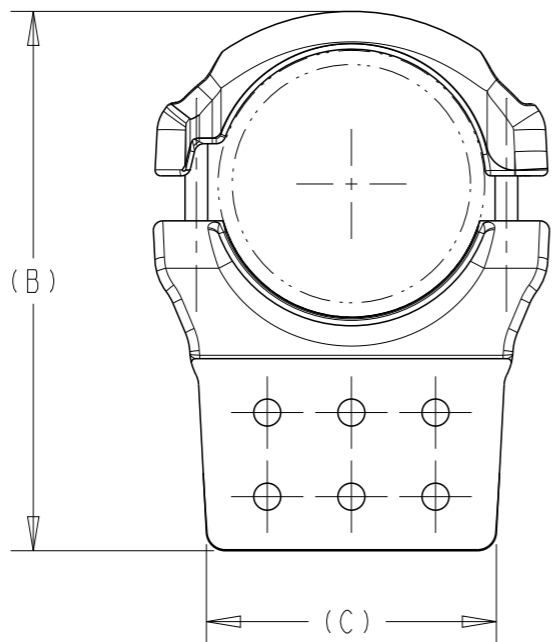
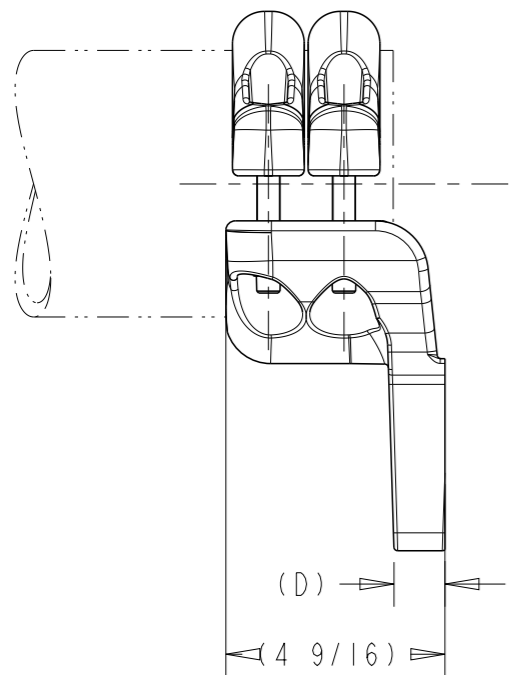
2. MARKING:

**STE**  
[PART NO.]  
[CATALOG DESCRIPTION]  
[PIPE SIZE]  
[DATECODE]

3. ALL DIMENSIONS ARE FOR REFERENCE ONLY.



M12 STAINLESS STEEL  
BOLT: 44 lbf

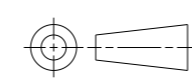


D	C	B	A	DESCRIPTION	PIPE SIZE	PART NO.	WEIGHT(lbs)
1.06	6	12	9 1/2	5 TTPE 82 T6"IPS 100X150 R564	6" IPS	2182863-8	8.8
1.42	6	12	9 1/2	5 TTPE 82 T6"EHPS 100X150 R529	6" EHPS	2182863-7	10.6
1.06	6	12	9 1/2	5 TTPE 82 T6"IPS 100X150 R529	6" IPS	2182863-6	8.8
1.06	6	11 1/4	8 1/4	5 TTPE 82 T5"IPS 100X150 R529	5" IPS	2182863-5	8.4
.98	4	10 1/4	7	5 TTPE 82 T4"IPS 100 C290	4" IPS	2182863-4	6.6
.70	4	9 5/8	6 1/2	5 TTPE 82 T3"1/2IPS 100 C290	3"1/2 IPS	2182863-3	5.6
.67	4	9 1/2	6 1/8	5 TTPE 82 T3"IPS 100 C290	3" IPS	2182863-2	5.2
.67	4	8 3/8	5 1/8	5 TTPE 82 T2"1/2IPS 100 C290	2"1/2 IPS	2182863-1	3.9

THIS DRAWING IS A CONTROLLED DOCUMENT.

DIMENSIONS:  
INCHES

TOLERANCES UNLESS  
OTHERWISE SPECIFIED:



0 PLC	±
1 PLC	±
2 PLC	±
3 PLC	±
4 PLC	±
ANGLES	±
FINISH	-

MATERIAL  
ALUM ALLOY

DWN	J. GUPPY	09SEP2019
CHK	A. BULZA	16SEP2019
APVD	B. JOHNSON	16SEP2019

**STE** TE Connectivity

NAME  
BOLTED 90 DEGREE TERMINAL CONNECTOR  
2 1/2 IPS TO 6 IPS CONDUCTOR TO  
NEMA PAD, SIMABUS

PRODUCT SPEC	APPLICATION SPEC	WEIGHT	SIZE	CAGE CODE	DRAWING NO	RESTRICTED TO
-	-	-	A3	00779	C-2182863	-

CUSTOMER DRAWING SCALE NTS SHEET 1 OF 2 REV C

4

3

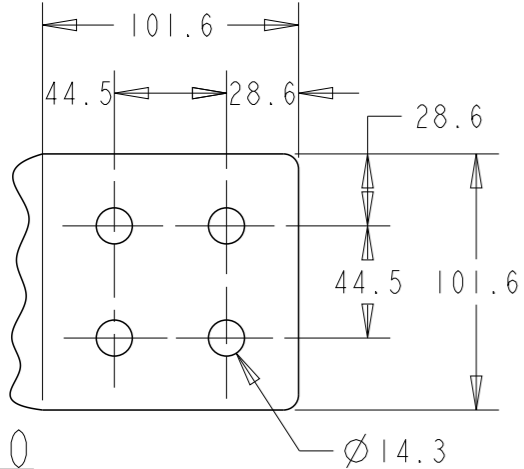
2

1

© 2019 TE Connectivity. All Rights Reserved.

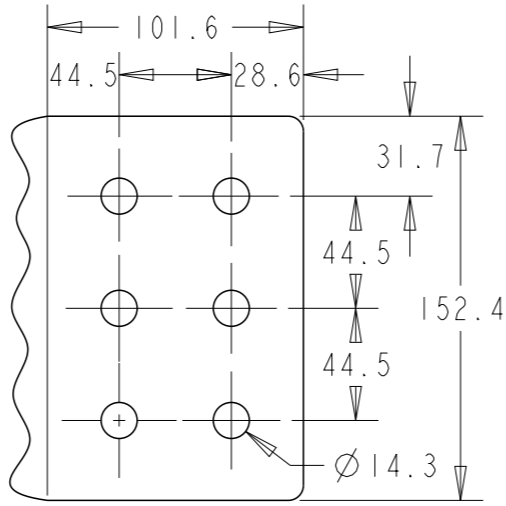
REVISIONS

P	LTR	DESCRIPTION	DATE	DWN	APVD
-	-	SEE SHEET 1			



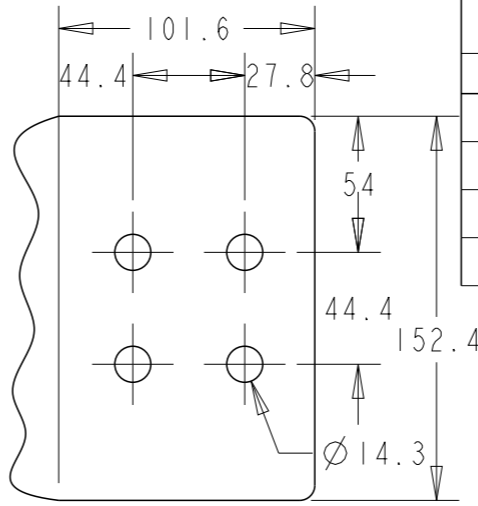
C290

Ø14.3



R529

Ø14.3



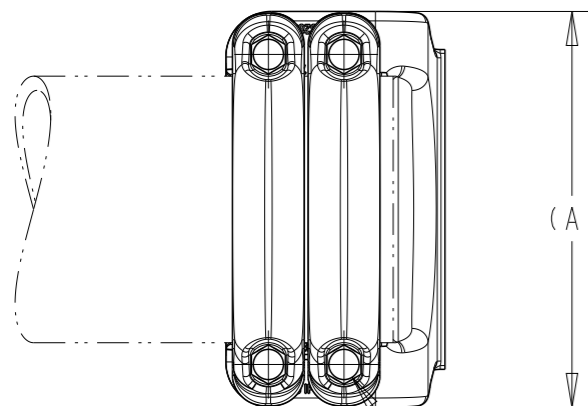
R564

1. ACCOMMODATES:  
SEE TABLE.

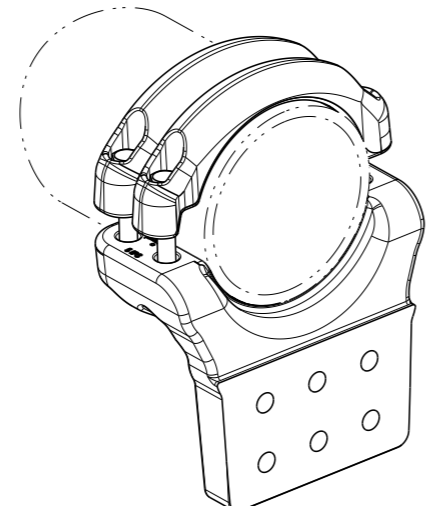
2. MARKING:

**STE**  
 [PART NO.]  
 [CATALOG DESCRIPTION]  
 [PIPE SIZE]  
 [DATECODE]

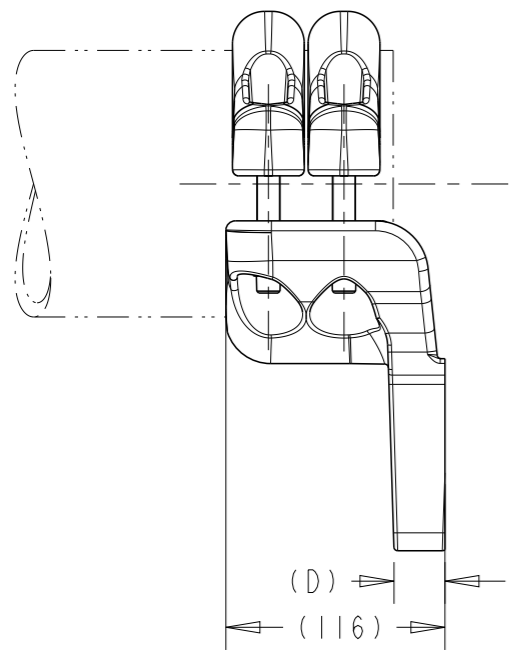
3. ALL DIMENSIONS ARE FOR REFERENCE ONLY.



(A)

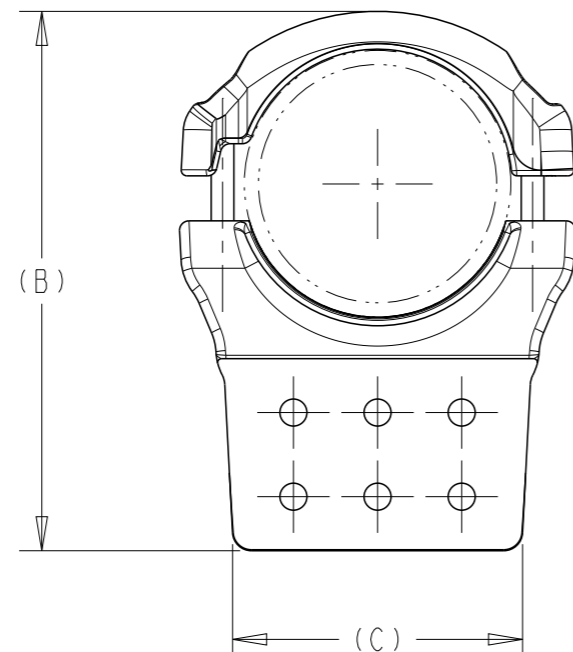


M12 STAINLESS STEEL  
BOLT: 60 Nm



(D)

(116)



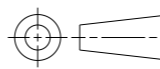
(B)

(C)

27	152.4	307	240	5	TTPE 82 T6"IPS 100X150 R564	168.3	2182863-8	4.01	
36	152.4	307	240	5	TTPE 82 T6"EHPS 100X150 R529	168.3	2182863-7	4.80	
27	152.4	307	240	5	TTPE 82 T6"IPS 100X150 R529	168.3	2182863-6	4.01	
27	152.4	285	210	5	TTPE 82 T5"IPS 100X150 R529	141.3	2182863-5	3.80	
25	101.6	261	179	5	TTPE 82 T4"IPS 100 C290	114.3	2182863-4	2.98	
17.7	101.6	246	165	5	TTPE 82 T3"1/2IPS 100 C290	101.6	2182863-3	2.53	
17	101.6	240	155	5	TTPE 82 T3"IPS 100 C290	88.9	2182863-2	2.37	
17	101.6	213	130	5	TTPE 82 T2"1/2IPS 100 C290	73.0	2182863-1	1.78	
D	C	B	A	DESCRIPTION			PIPE O.D.	PART NO.	WEIGHT(kg)

THIS DRAWING IS A CONTROLLED DOCUMENT.

DIMENSIONS:  
mm



MATERIAL  
ALUM ALLOY

TOLERANCES UNLESS OTHERWISE SPECIFIED:

0 PLC	±
1 PLC	±
2 PLC	±
3 PLC	±
4 PLC	±
ANGLES	±
FINISH	-

DWN J. GUPPY 09SEP2019  
 CHK A. BULZA 16SEP2019  
 APVD B. JOHNSON 16SEP2019

PRODUCT SPEC -  
 APPLICATION SPEC -  
 WEIGHT -

CUSTOMER DRAWING

**STE** TE Connectivity

NAME BOLTED 90 DEGREE TERMINAL CONNECTOR  
 2 1/2 IPS TO 6 IPS CONDUCTOR TO  
 NEMA PAD, SIMABUS

SIZE	CAGE CODE	DRAWING NO	RESTRICTED TO
A3	00779	C-2182863	-

SCALE NTS SHEET 2 OF 2 REV C