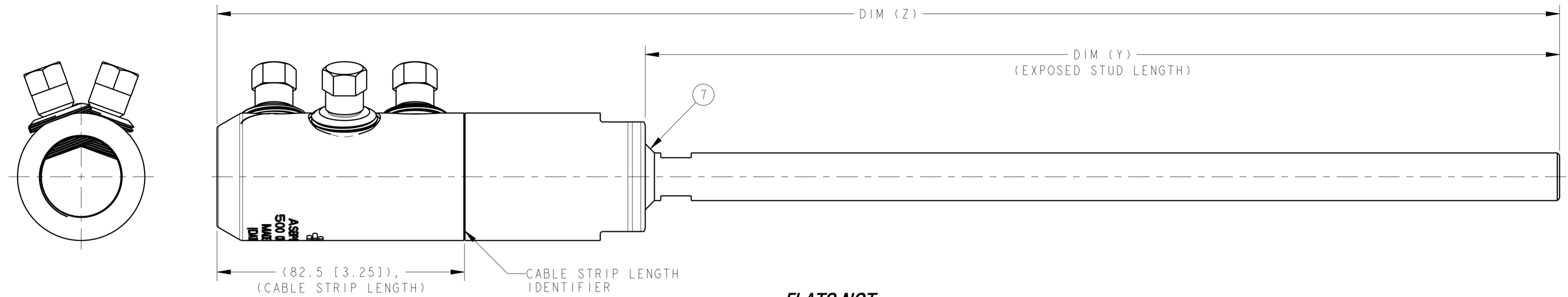
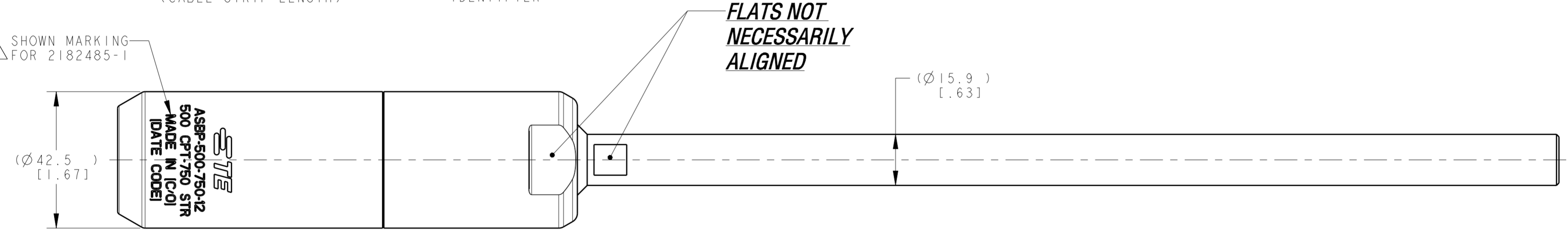


THIS DRAWING IS UNPUBLISHED. RELEASED FOR PUBLICATION 20
 © COPYRIGHT 20 BY - ALL RIGHTS RESERVED.

REVISIONS					
P	LTR	DESCRIPTION	DATE	DWN	APVD
F		LC20-0097-18 / ECO-18-014539	08OCT2018	DM	BJ
G		LC20-0036-19 / ECO-19-005225	18APR2019	DM	BJ
H		LC20-0074-19 / ECO-19-010038	09AUG2019	DM	BJ
J		LC20-0097-20 / ECO-20-014099	05OCT2020	DM	BJ

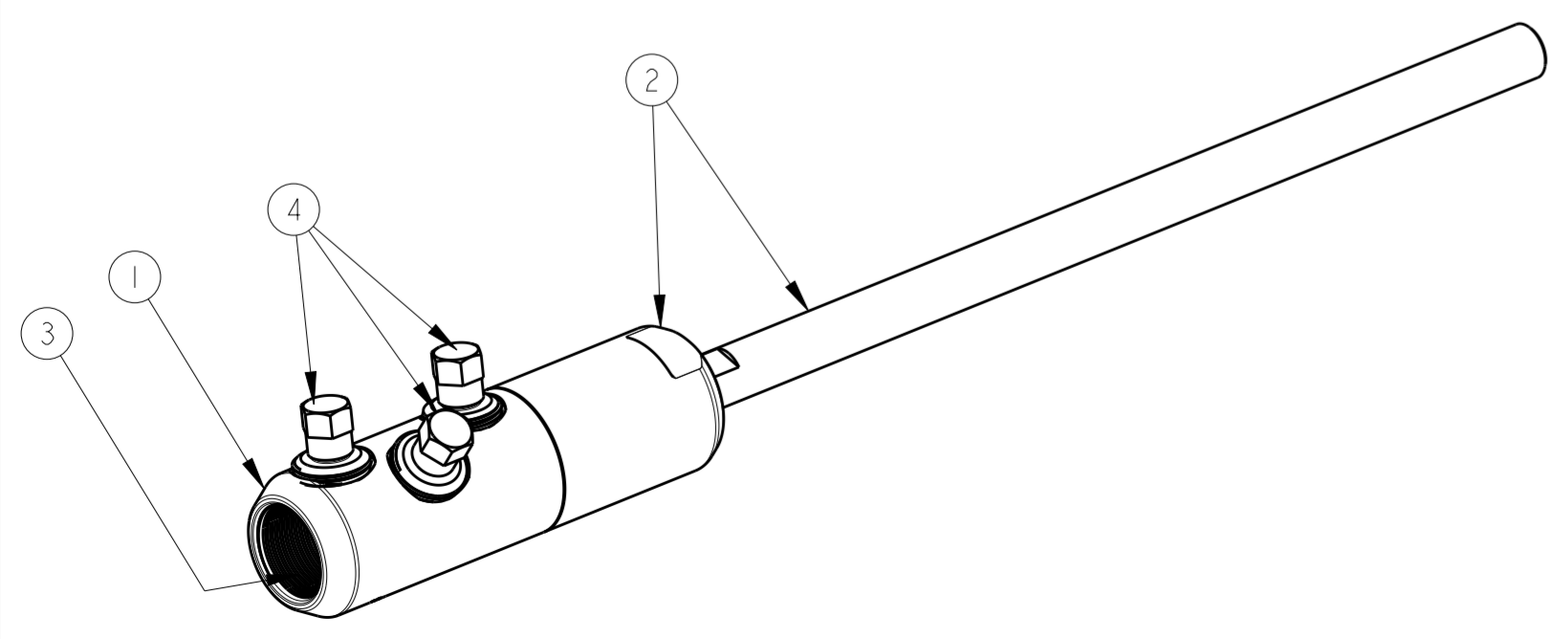


△ SHOWN MARKING FOR 2182485-1



(371 [14.6])	(229 [9])	ASBP-500-750-9	2182485-3
(295 [11.6])	(152 [6])	ASBP-500-750-6	2182485-2
(448 [17.6])	(305 [12])	ASBP-500-750-12	2182485-1
DIM (Z)	DIM (Y)	CATALOG NO △	PART NO

A/R	A/R	A/R	DESCRIPTION	ITEM NO
			METAL SEALANT	7
1	1	1	INSTALLATION INSTRUCTION SHEET, 408-32203	6
1	1	1	ABRASIVE TAPE	5
3	3	3	MULTI SHEAR HEAD BOLT, M22 SIZE, ALUMINUM ALLOY	4
A/R	A/R	A/R	INHIBITOR	3
1	-	-	EXPOSED LENGTH (229 [9])	2
-	1	-	EXPOSED LENGTH (152 [6])	
-	-	1	EXPOSED LENGTH (305 [12])	
1	1	1	CONNECTOR SLEEVE BODY, ALUMINUM ALLOY, TIN PLATED	1
-3	-2	-1		



- ACCOMMODATES:
500 CPT - 750 STR.
- MARKING:
STE
[CATALOG NO]
500 CPT-750 STR
MADE IN [COUNTRY OF ORIGIN]
[DATE CODE]
(SEE TABLE FOR CATALOG NO MARKING)
- ALL DIMENSIONS ARE FOR REFERENCE ONLY.
- CONNECTOR CONTAINS FACTORY APPLIED ANTI-OXIDE INHIBITOR.
- FINISH:
CU STUD AND AL CONNECTOR BODY ELECTRO-TIN PLATED.
- INSTALL BOLTS WITH 13 mm [1/2 inch] HEX SOCKET.

THIS DRAWING IS A CONTROLLED DOCUMENT.

DIMENSIONS: mm [INCH]	TOLERANCES UNLESS OTHERWISE SPECIFIED: 0 PLC ± 1 PLC ± 2 PLC ± 3 PLC ± 4 PLC ± ANGLES ± FINISH	DWN: D. MURUGIAH 11 JUN 2015 CHK: A. BULZA 16 MAY 2016 APVD: B. JOHNSON 25 MAY 2016	NAME: SHEARBOLT PIN CONNECTOR, 5/8 INCH CU STUD TO 500-750 KCMIL CONDUCTORS
MATERIAL: SEE BOM	FINISH: SEE BOM	PRODUCT SPEC: - APPLICATION SPEC: - WEIGHT: -	SIZE: A2 CAGE CODE: 00779 DRAWING NO: C-2182485 RESTRICTED TO: -
CUSTOMER DRAWING		SCALE: 1:1	SHEET: OF REV: J