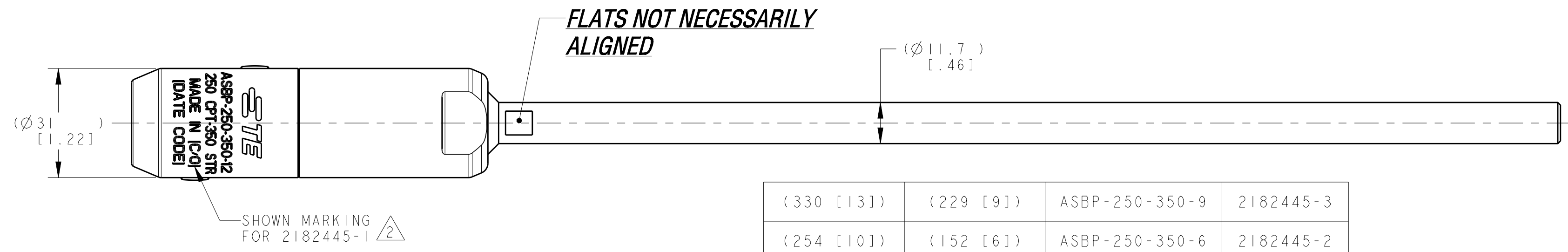
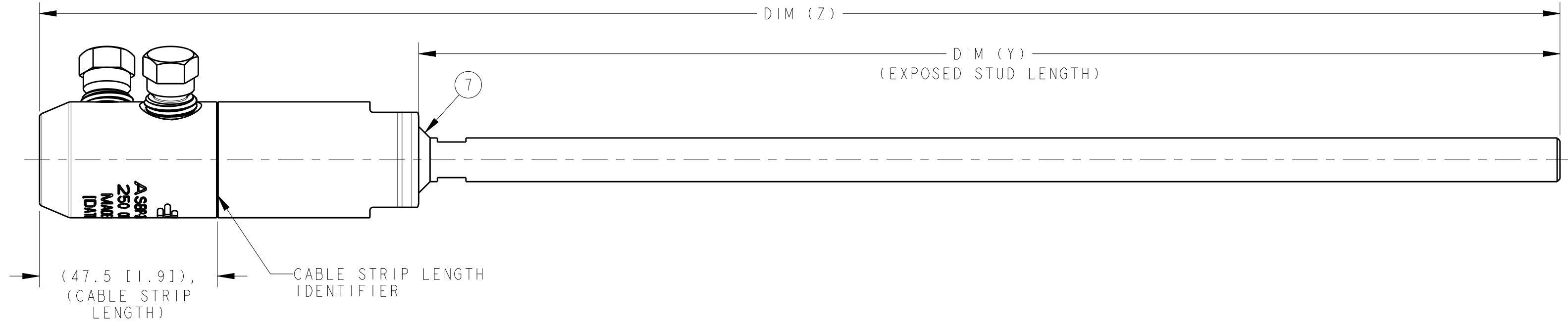
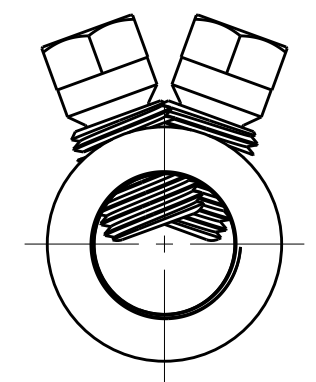


THIS DRAWING IS UNPUBLISHED. RELEASED FOR PUBLICATION 20
 © COPYRIGHT 20 BY - ALL RIGHTS RESERVED.

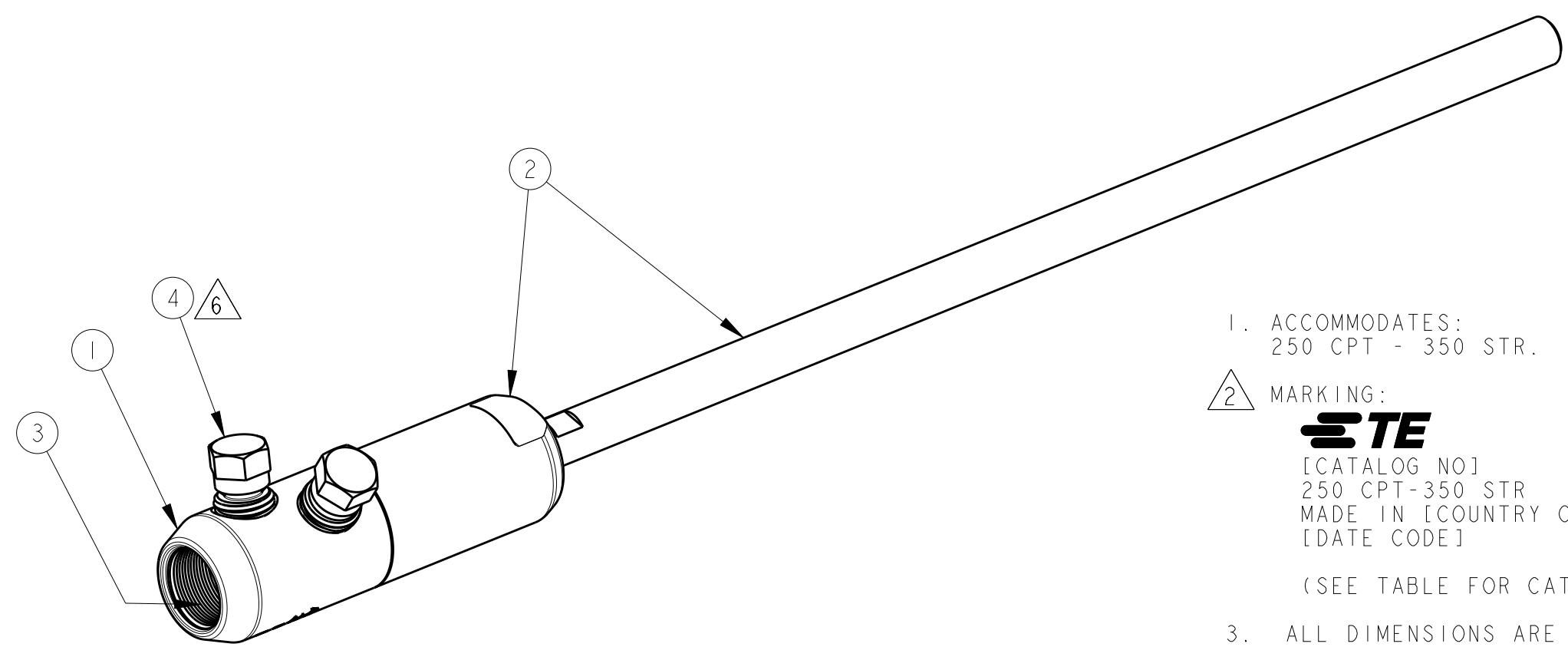
REVISIONS				
P	LTR	DESCRIPTION	DATE	APVD
E		LC20-0097-18 / ECO-18-014539	08OCT2018	DM BJ
F		LC20-0036-19 / ECO-19-005225	18APR2019	DM BJ
G		LC20-0074-19 / ECO-19-010038	09AUG2019	DM BJ
H		LC20-0096-20 / ECO-20-013697	25SEP2020	DM BJ



SHOWN MARKING FOR 2182445-1

(330 [13])	(229 [9])	ASBP-250-350-9	2182445-3
(254 [10])	(152 [6])	ASBP-250-350-6	2182445-2
(406 [16])	(305 [12])	ASBP-250-350-12	2182445-1
DIM (Z)	DIM (Y)	CATALOG NO	PART NO

A/R	A/R	A/R	DESCRIPTION	ITEM NO
			METAL SEALANT	7
1	1	1	INSTALLATION INSTRUCTION SHEET, 408-32203	6
1	1	1	ABRASIVE TAPE	5
2	2	2	MULTI SHEAR HEAD BOLT, M14 SIZE, ALUMINUM ALLOY	4
A/R	A/R	A/R	INHIBITOR	3
1	-	-	EXPOSED LENGTH (229 [9])	2
-	1	-	EXPOSED LENGTH (152 [6])	
-	-	1	EXPOSED LENGTH (305 [12])	
1	1	1	CONNECTOR SLEEVE BODY, ALUMINUM ALLOY, TIN PLATED	1
-3	-2	-1		



1. ACCOMMODATES:
250 CPT - 350 STR.
- MARKING:
STE
[CATALOG NO]
250 CPT-350 STR
MADE IN [COUNTRY OF ORIGIN]
[DATE CODE]

(SEE TABLE FOR CATALOG NO MARKING)
3. ALL DIMENSIONS ARE FOR REFERENCE ONLY.
4. CONNECTOR CONTAINS FACTORY APPLIED ANTI-OXIDE INHIBITOR.
5. FINISH:
CU STUD AND AL CONNECTOR BODY
ELECTRO-TIN PLATED.
- INSTALL BOLTS WITH M13 [1/2 inch] HEX SOCKET.

THIS DRAWING IS A CONTROLLED DOCUMENT.

DIMENSIONS: mm [INCH]	TOLERANCES UNLESS OTHERWISE SPECIFIED: 0 PLC ± 1 PLC ± 2 PLC ± 3 PLC ± 4 PLC ± ANGLES ± FINISH	DWN 09 JAN 2015 CHK D. MURUGIAH 16 MAY 2016 A. BULZA APVD B. JOHNSON 25 MAY 2016	STE TE Connectivity NAME SHEARBOLT PIN CONNECTOR, 4/0 AWG CU STUD TO 250-350 KCMIL CONDUCTORS SIZE A2 CAGE CODE 00779 DRAWING NO C-2182445 RESTRICTED TO - WEIGHT - CUSTOMER DRAWING SCALE NTS SHEET OF REV H
--------------------------	---	---	--