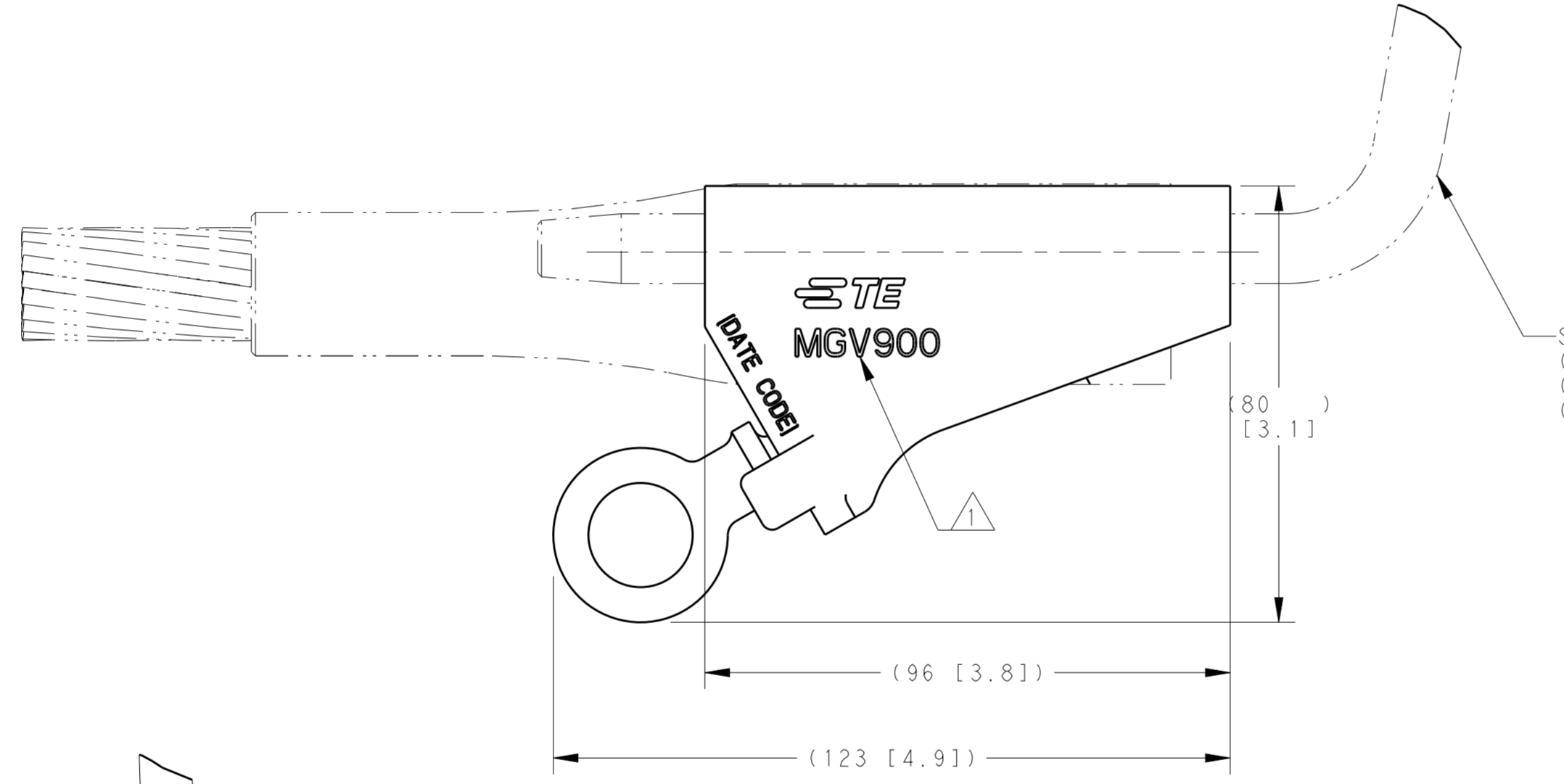
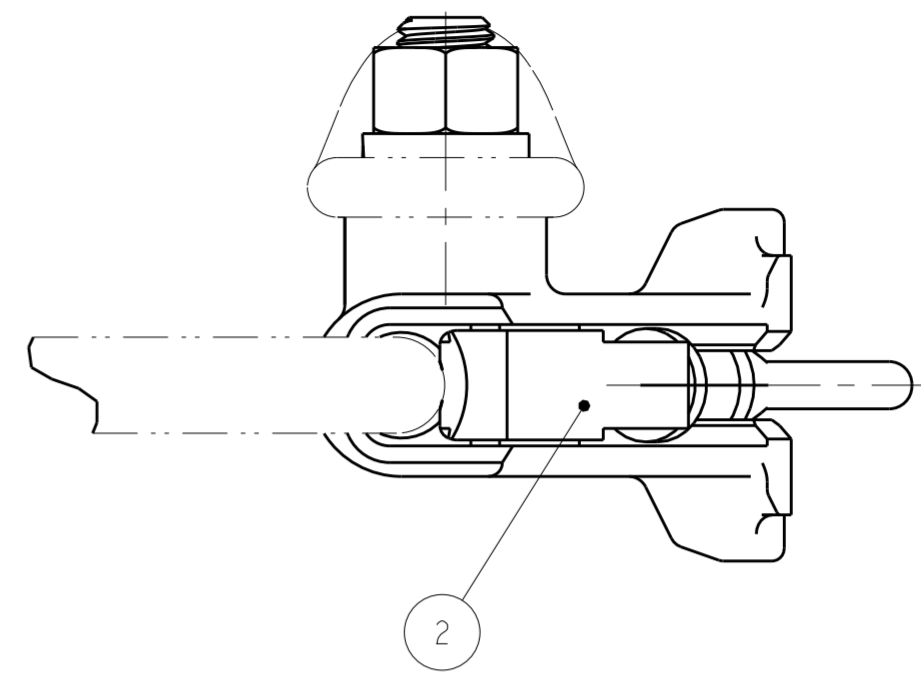
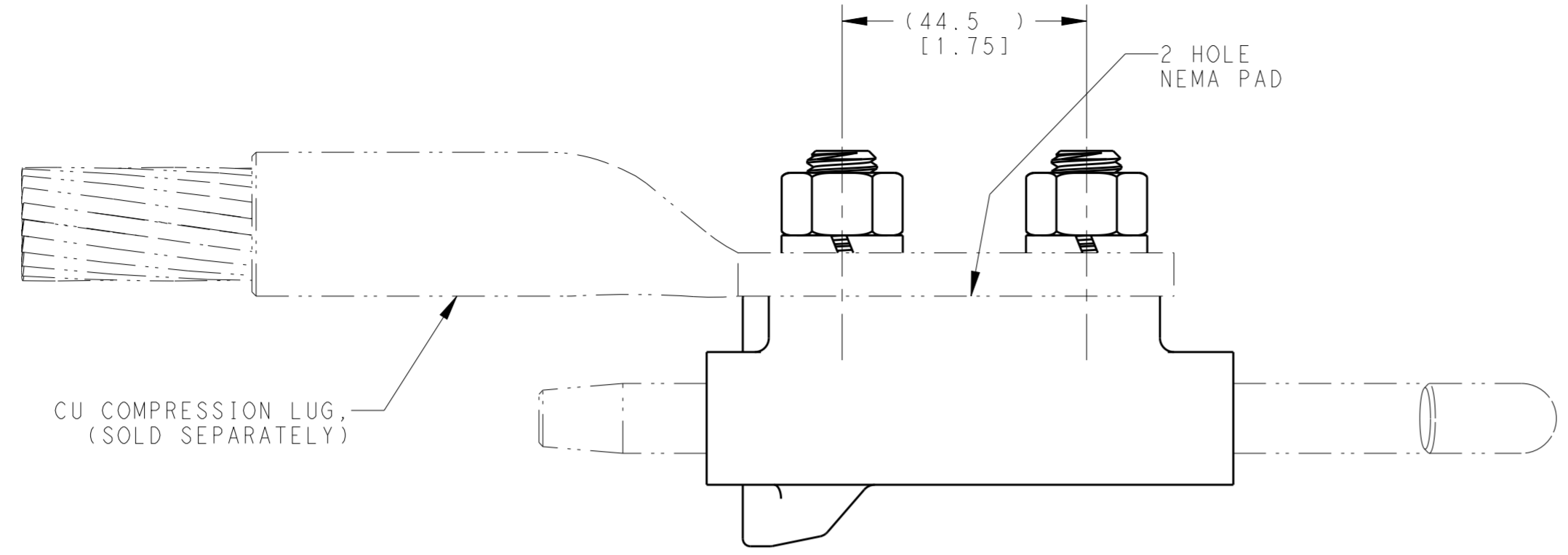


THIS DRAWING IS UNPUBLISHED. RELEASED FOR PUBLICATION 2012
 © COPYRIGHT 2012 BY TE CONNECTIVITY ALL RIGHTS RESERVED.

LOC	DIST	REVISIONS			
P	LTR	DESCRIPTION	DATE	DWN	APVD
GA	1				
	A	INITIAL REL. PER LC20-0115-14	26AUG2014	DM	BJ
	B	LC20-0004-15 / ECO-15-000370	15JAN2015	DM	BJ
	C	LC20-0010-15 / ECO-15-001631	22JAN2015	DM	BJ
	D	LC20-0109-15 / ECO-15-012175	17AUG2015	DM	BJ



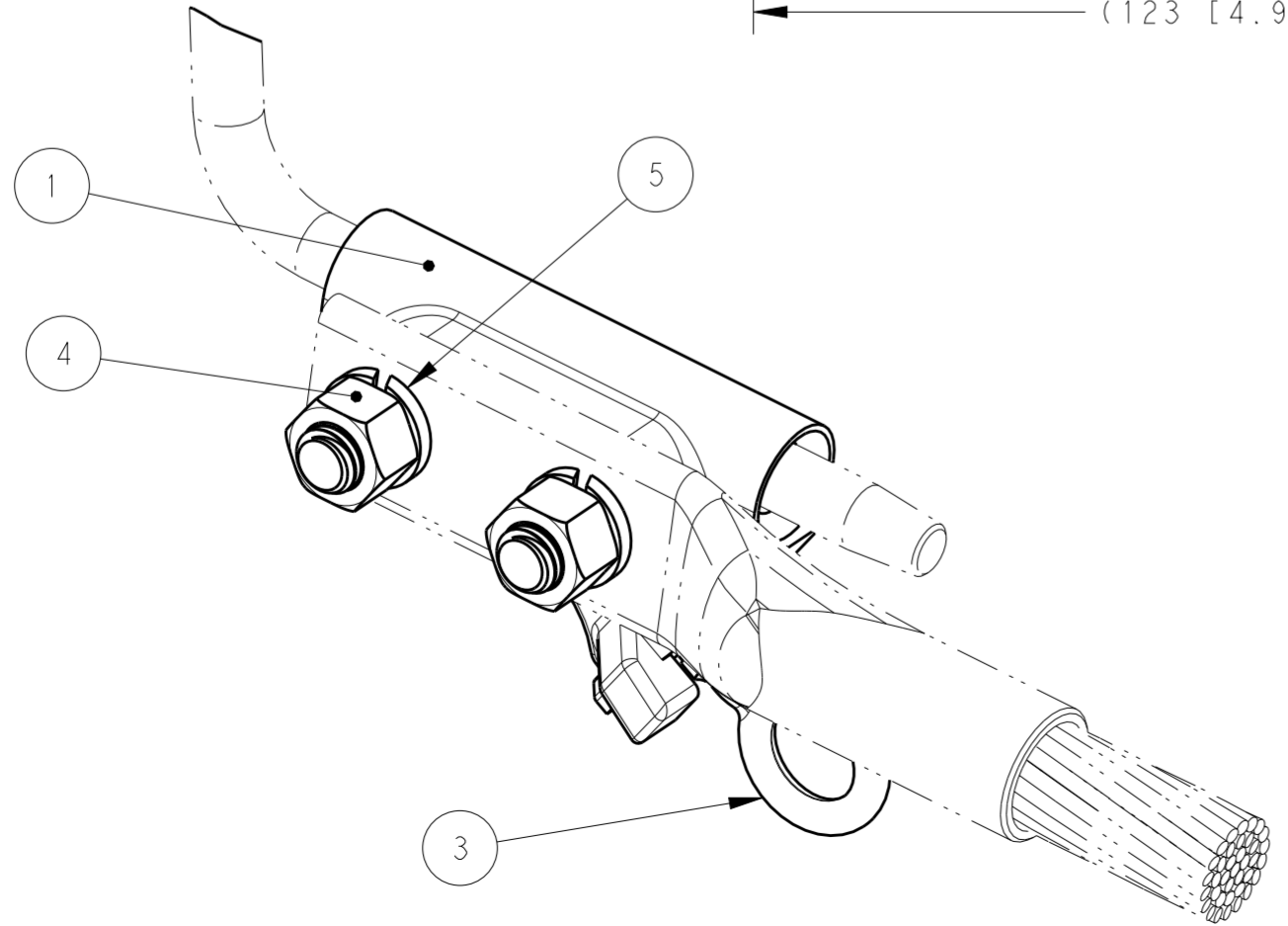
STUD, COPPER,
 (P/N: 83396-2)
 (Ø13 [1/2])
 (SOLD SEPARATELY)

MARKING:
STE
 MG900
 [DATE CODE]

- ACCOMMODATES: Ø13 mm [1/2 INCH] OD TO 2 HOLE NEMA PAD.
- ALL DIMENSIONS ARE FOR REFERENCE ONLY.

MGV900	2182405-1
CATALOG NO.	PART NO.

QTY	DESCRIPTION	ITEM NO
1	INSTRUCTION SHEET 408-9968	6
2	WASHER, SPLIT LOCK, SILICON BRONZE	5
2	HEX NUT, 1/2 INCH-13 UNC, SILICON BRONZE	4
1	EYEBOLT, ALUMINUM BRONZE ALLOY	3
1	WEDGE, PIGTAIL CONNECTOR, COPPER ALLOY	2
1	BODY WITH STUDS, PIGTAIL CONNECTOR, COPPER ALLOY	1
-1	DESCRIPTION	ITEM NO
PARTS LIST		



THIS DRAWING IS A CONTROLLED DOCUMENT.

DIMENSIONS: mm [INCHES]	TOLERANCES UNLESS OTHERWISE SPECIFIED:	DWN: 26AUG2014	CHK: D. MURUGIAH	APVD: 09SEP2014	NAME: PIGTAIL CONNECTOR, COPPER ALLOY, MGV900
0 PLC ±	1 PLC ±	APVD: 09SEP2014	CHK: A. BULZA	APVD: 09SEP2014	SIZE: A2
2 PLC ±	3 PLC ±	PRODUCT SPEC: -	CHK: B. JOHNSON	APVD: 09SEP2014	CAGE CODE: 00779
4 PLC ±	ANGLES ±	APPLICATION SPEC: -			DRAWING NO: C-2182405
MATERIAL: SEE BOM	FINISH: NONE	WEIGHT: 1.95 lbs			RESTRICTED TO: -
		Customer Drawing			SCALE: NTS

Customer Drawing SCALE NTS SHEET 1 OF 1 REV D