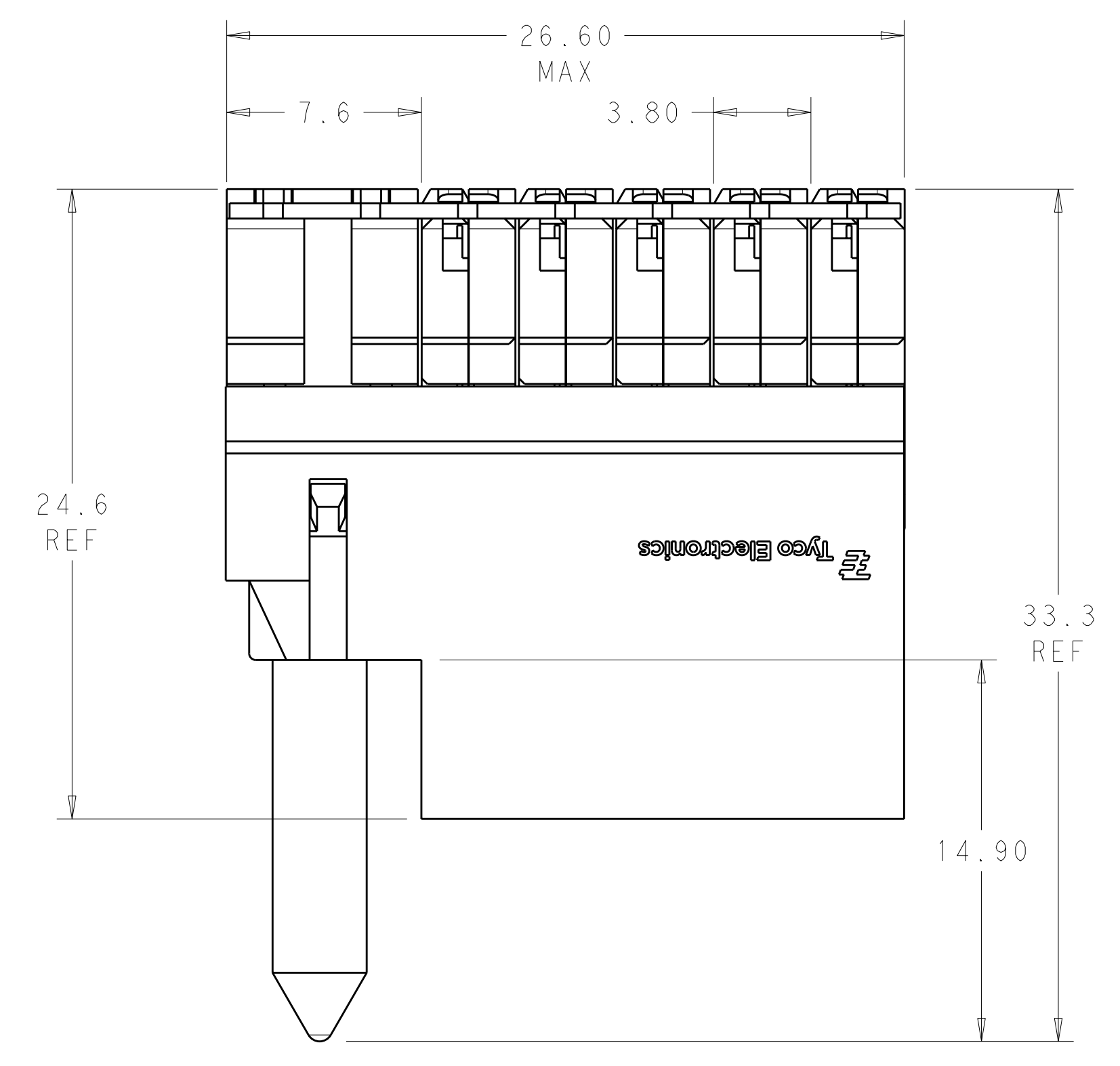
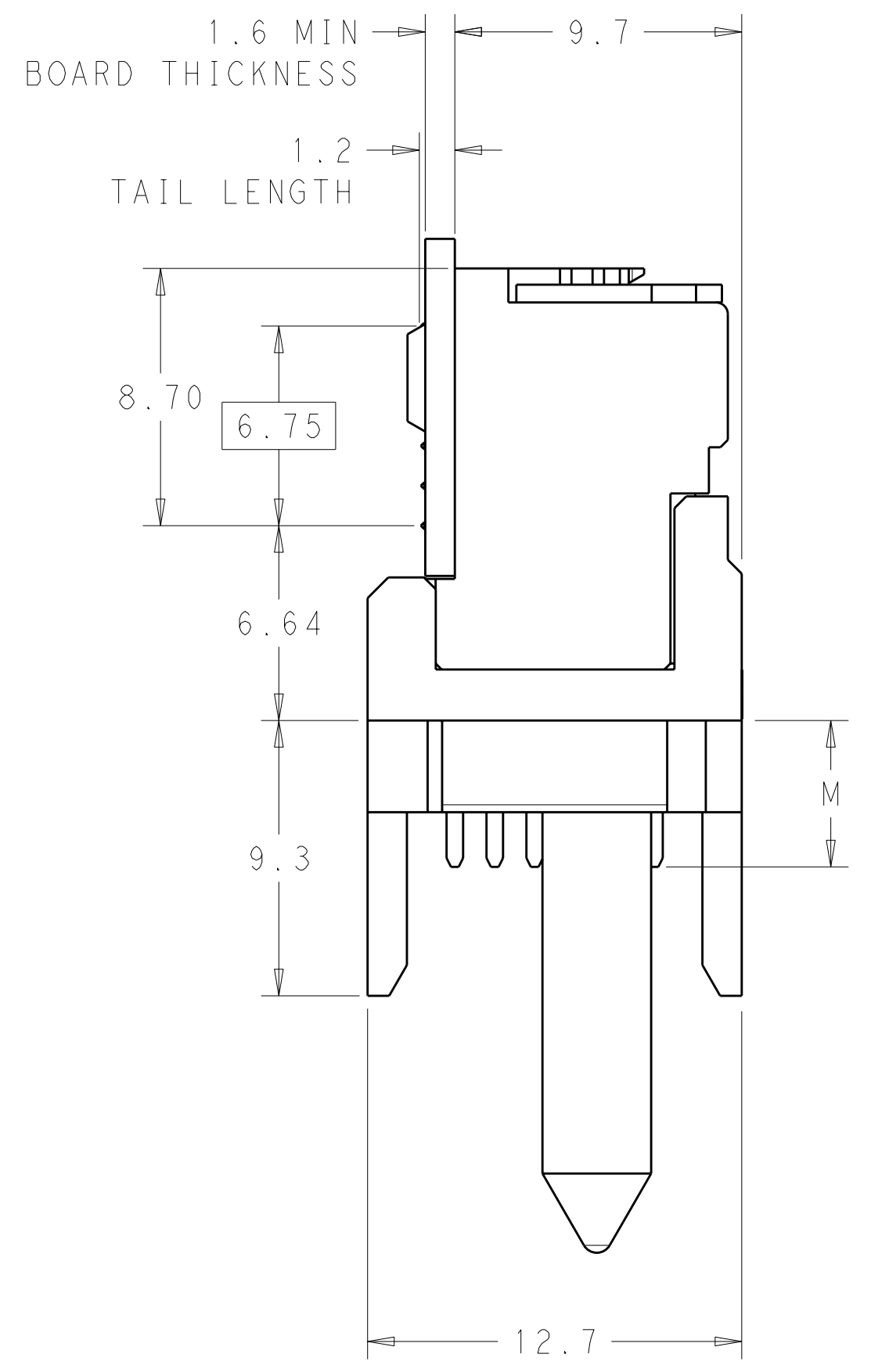
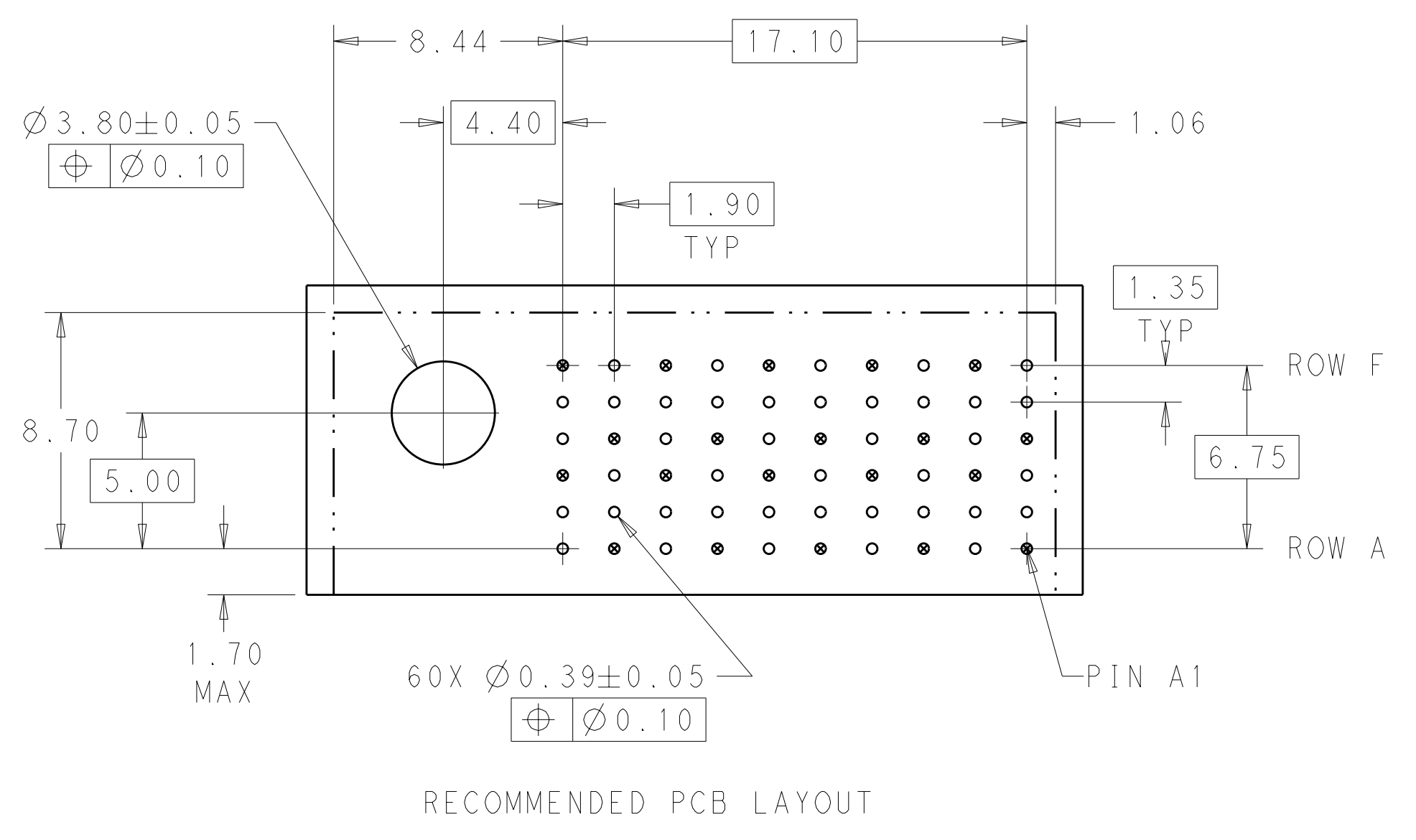
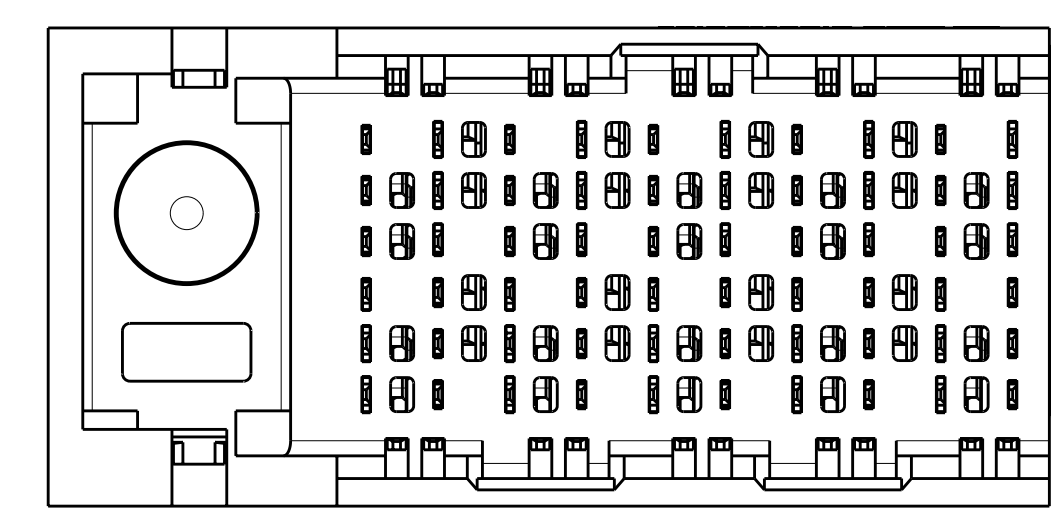
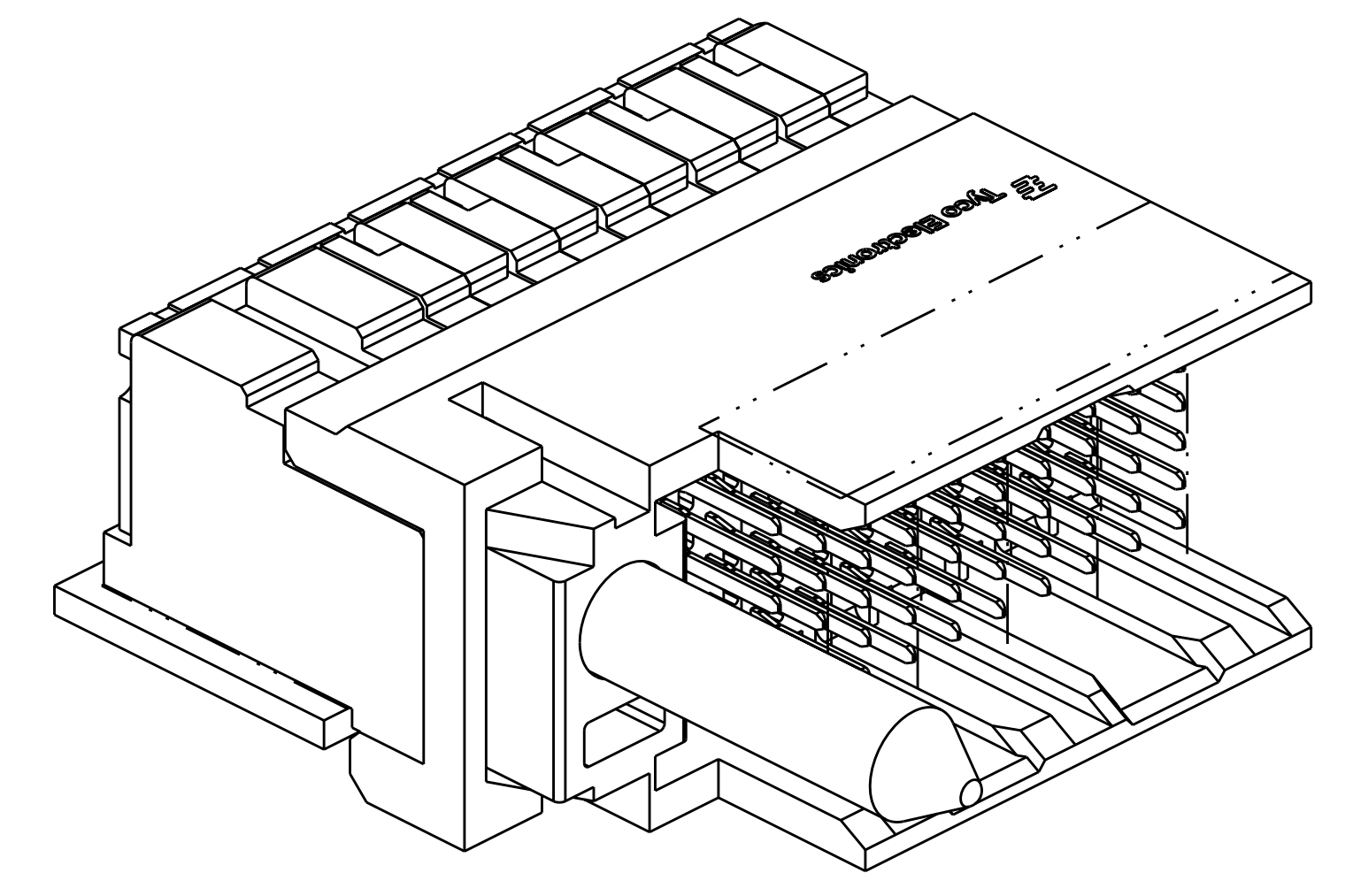


LOC		DIST		REVISIONS			
AD	00	REV	DATE	BY	CHKD	APVD	DESCRIPTION
		A	27APR2011	RG	JE		RELEASED



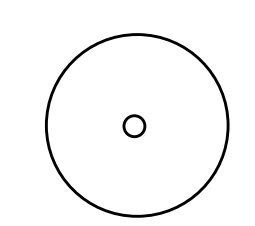
- 1 MATERIAL:
HOUSING: LCP, GLASS FILLED, UL94V-0.
TERMINALS: HIGH PERFORMANCE COPPER ALLOY.
- 2 FINISH:
30µm SELECTIVE GOLD IN CONTACT AREA. SELECTIVE TIN ON PCB TAILS, NICKEL OVERALL.
- 3 FINISH:
30µm SELECTIVE GOLD IN CONTACT AREA. SELECTIVE TIN-LEAD ON PCB TAILS, NICKEL OVERALL.
- 4 LEFT GUIDED RIGHT ANGLE MALE MATES TO RIGHT GUIDED RIGHT ANGLE RECEPTACLE.
5. CONNECTOR SUPPLIED WITH MOUNTING SCREW.



DIMENSIONS: mm TOLERANCES UNLESS OTHERWISE SPECIFIED: 9 PLC ± 1 PLC ±0.25 3 PLC ±0.05 4 PLC ± ANGLES ± FINISH SEE TABLE		DWN R. GRZYBOWSKI 27APR2011 CHK J. EABY 27APR2011 APVD J. EABY 27APR2011		Tyco Electronics Corporation Harrisburg, PA 17105-3608	
MATERIAL: SEE TABLE		NAME: IMPACT, STD. RAM, 2 PAIR, 10 COLUMN, LEFT GUIDED OPEN END WALL SIGNAL SELECT LOAD, MODULE, 0.39 EYELET		SIZE: CAGE CODE: DRAWING NO: A100779C=2180613	
CUSTOMER DRAWING		SCALE: 5:1		SHEET 1 OF 2 REV A	

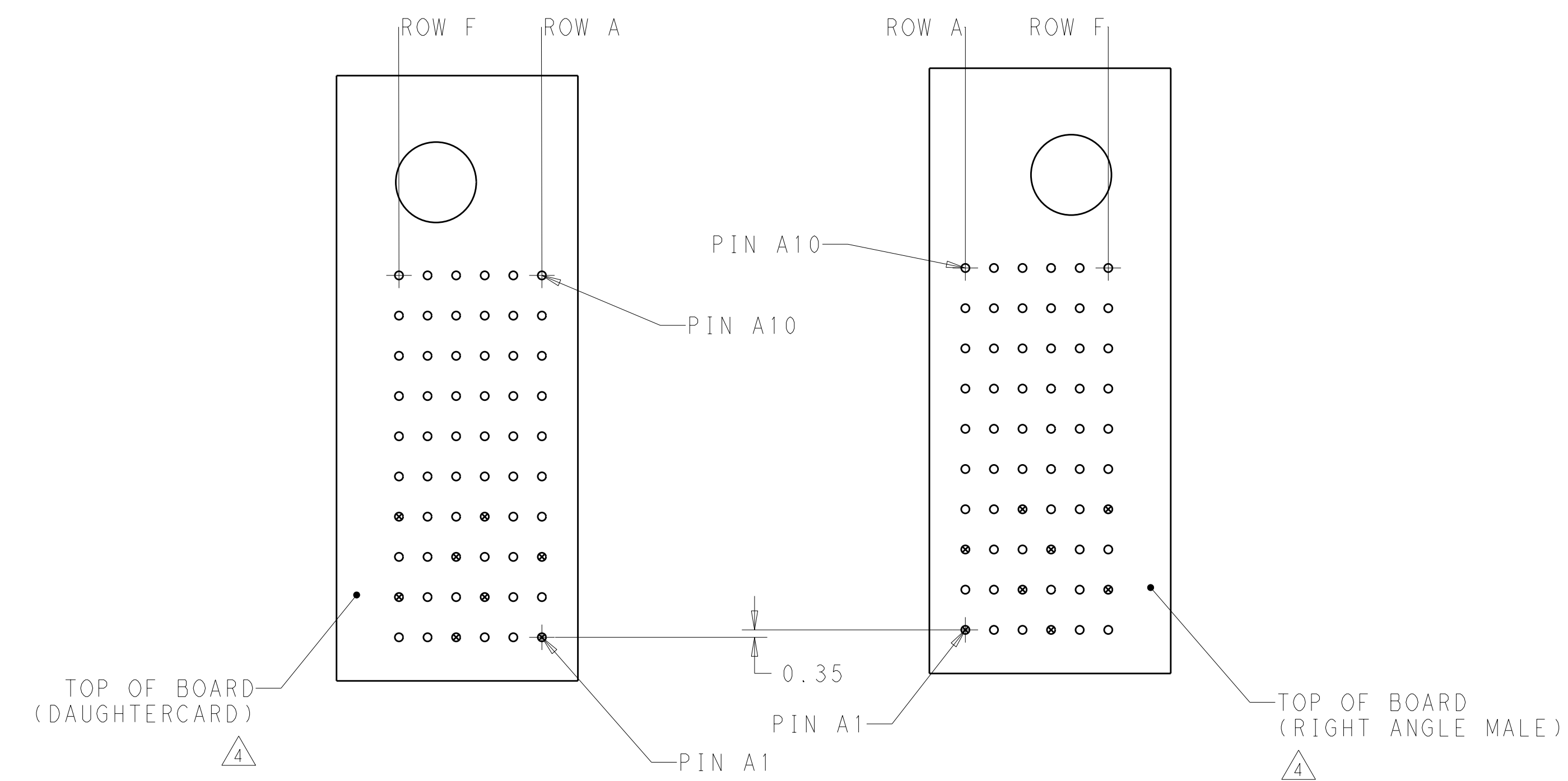
LOC	DIST	REVISIONS					
AD	00	P	LTB	DESCRIPTION	DATE	DWN	APVD
		-	-	SEE SHEET 1	-	-	-

		2180613-1									
		ASSEMBLY PART NUMBER									
		CONTACT LAYOUT									
DIM M	B = 4.9mm										
	C = 5.5mm										
		COLUMNS									
		10	9	8	7	6	5	4	3	2	1
ROWS	F	C	C	C	C	C	C	C	C	C	C
	E	C	C	C	C	C	C	C	C	C	C
	D	C	C	C	C	C	C	C	C	C	C
	C	C	C	C	C	C	C	C	C	C	C
	B	C	C	C	C	C	C	C	C	C	B
A	C	C	C	C	C	C	C	C	C	C	



GUIDE PIN

REFER TO WWW.TE.COM FOR PRODUCT AVAILABILITY



COPLANAR MATED SIGNAL PATHS



DIMENSIONS:		TOLERANCES UNLESS OTHERWISE SPECIFIED:		DWN R. GRZYBOWSKI 27APR2011		Tyco Electronics Corporation Harrisburg, PA 17105-3608	
mm	0 PLC ±	1 PLC ±0.25	2 PLC ±0.05	3 PLC ±	4 PLC ±	APVD J. EABY 27APR2011	NAME IMPACT, STD. RAM, 2 PAIR, 10 COLUMN, LEFT GUIDED OPEN END WALL SIGNAL SELECT LOAD, MODULE, 0.39 EYELET
MATERIAL		FINISH SEE TABLE		WEIGHT		SIZE CAGE CODE DRAWING NO RESTRICTED TO	
				CUSTOMER DRAWING		A100779C=2180613	
				SCALE 5:1		SHEET 2 OF 2 REV A	