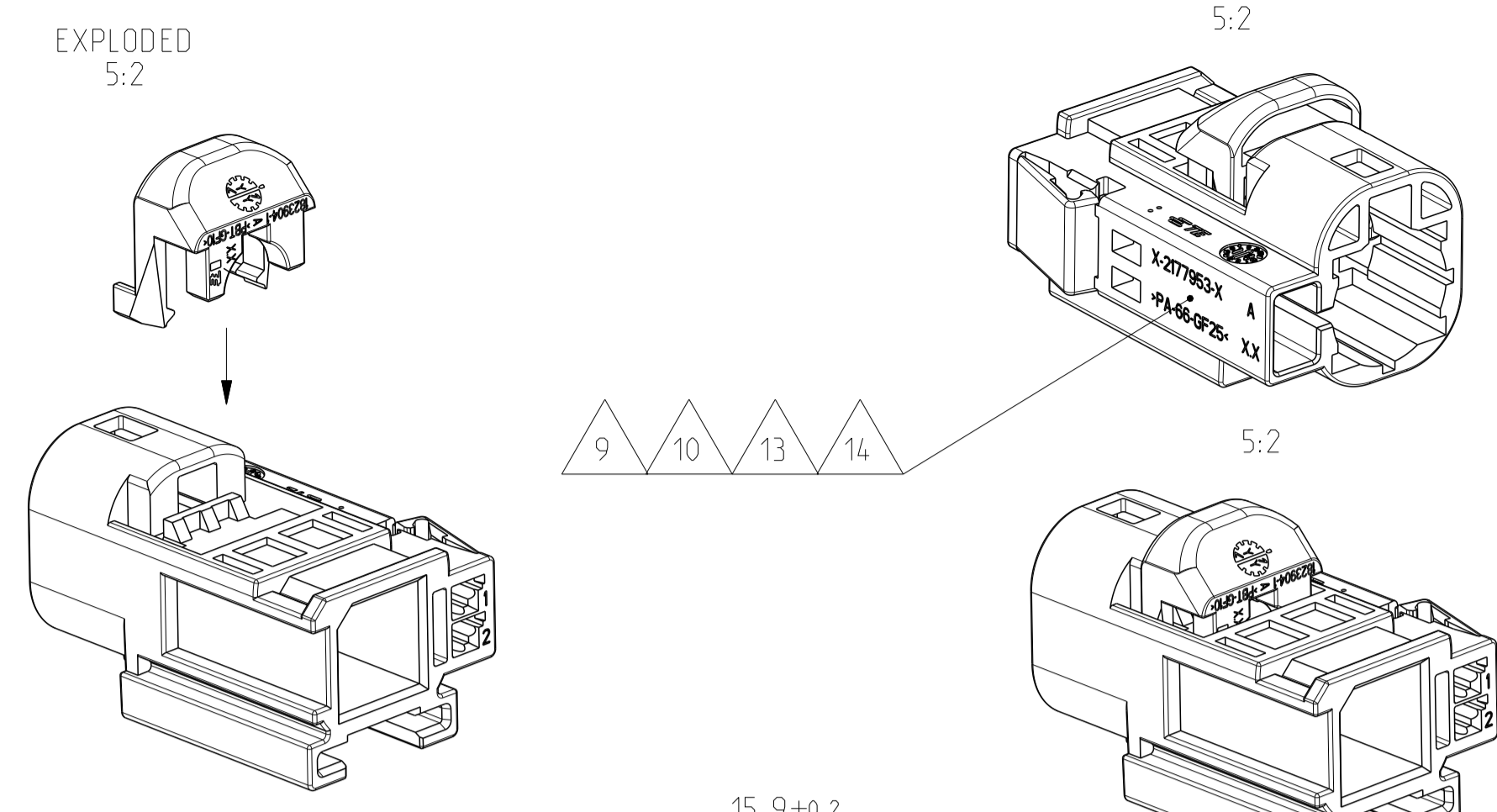
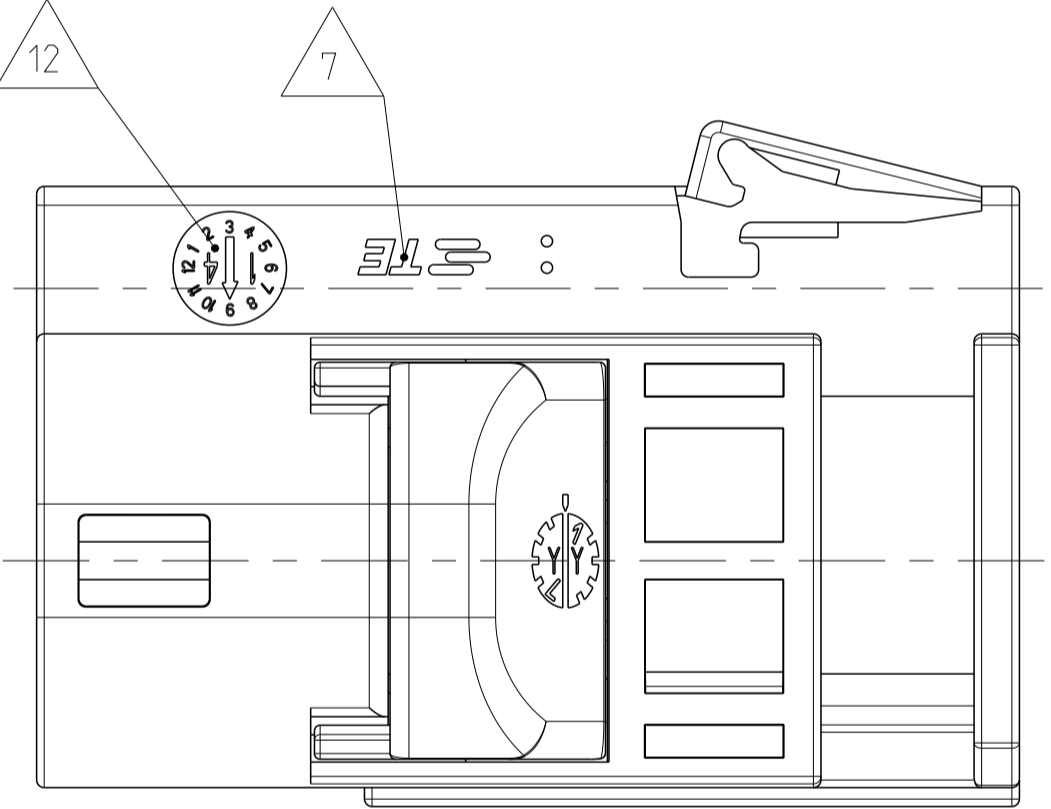
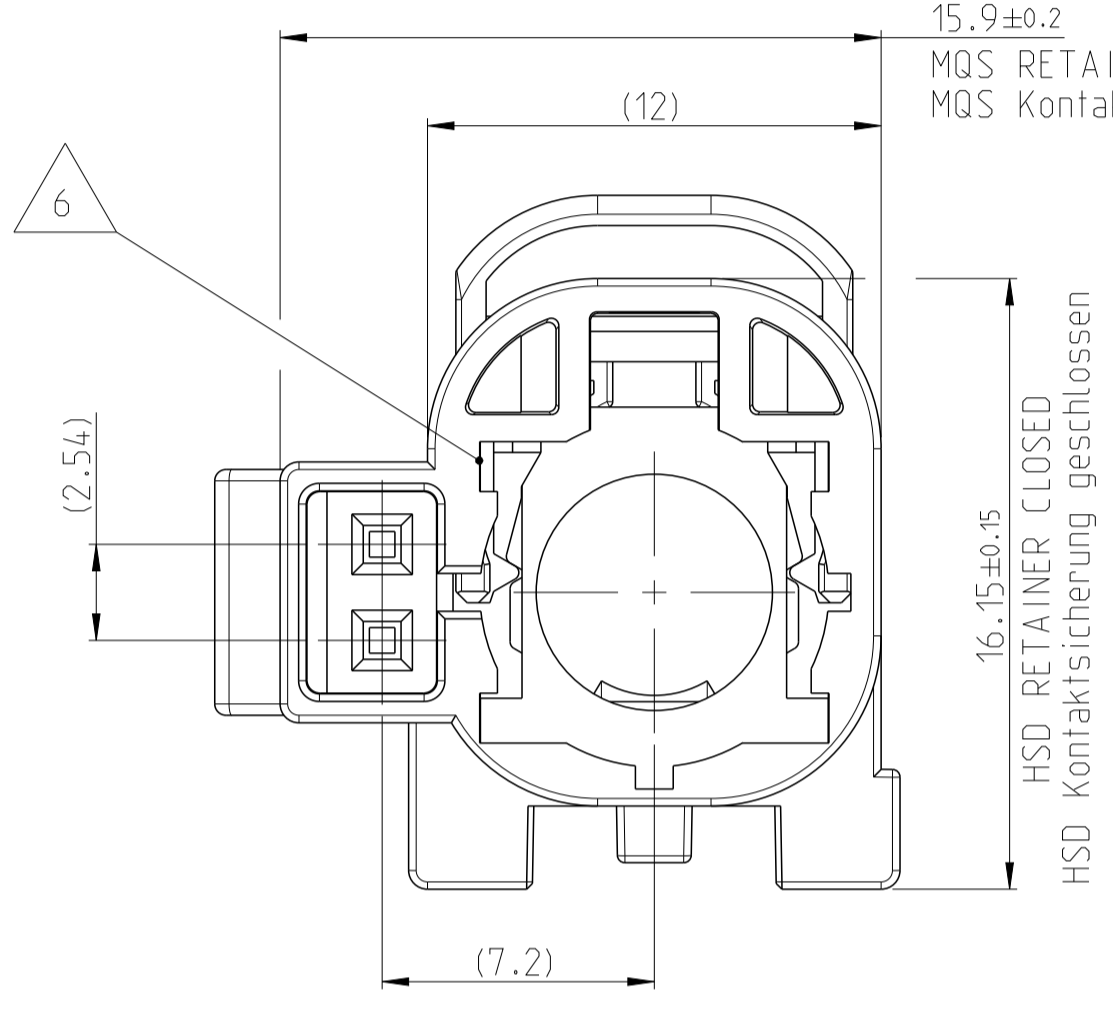
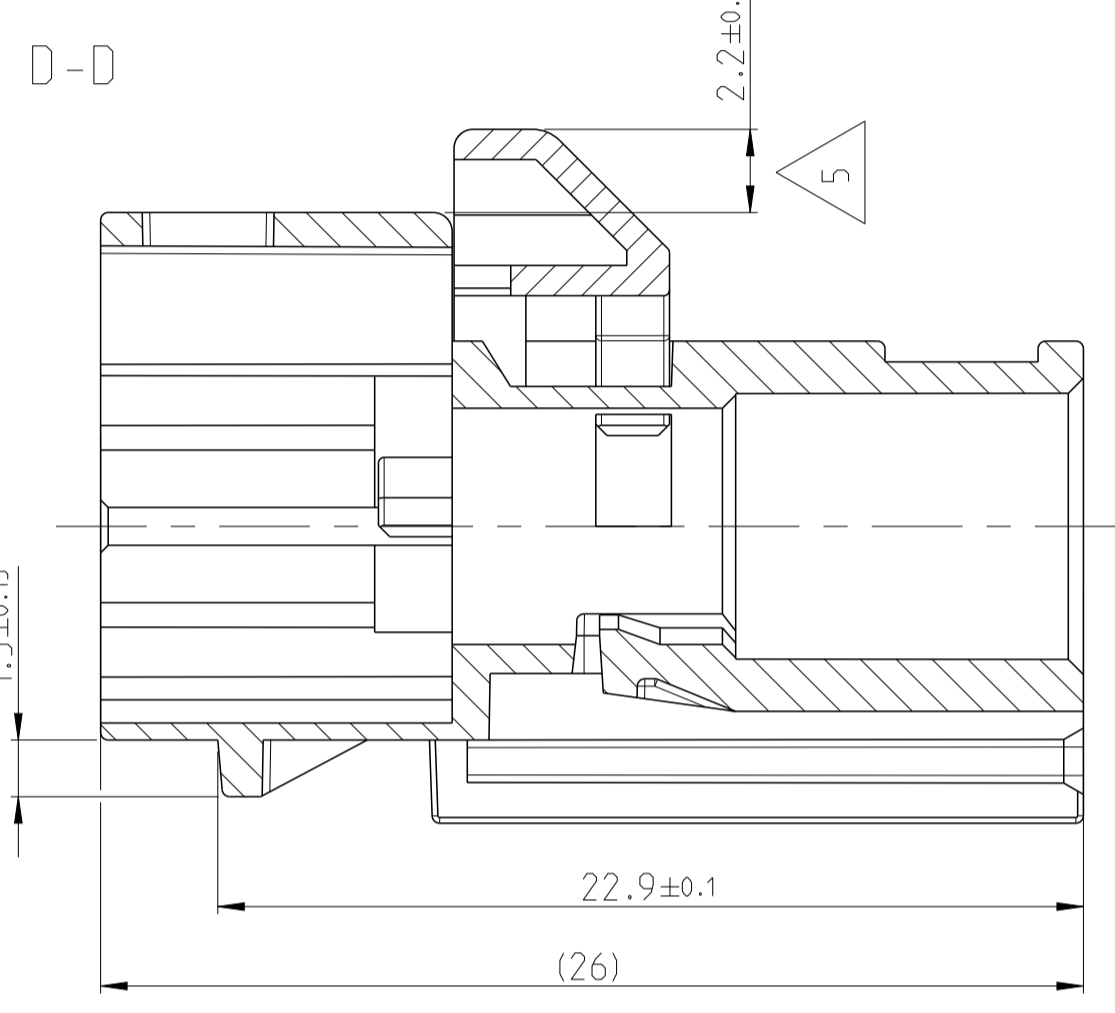
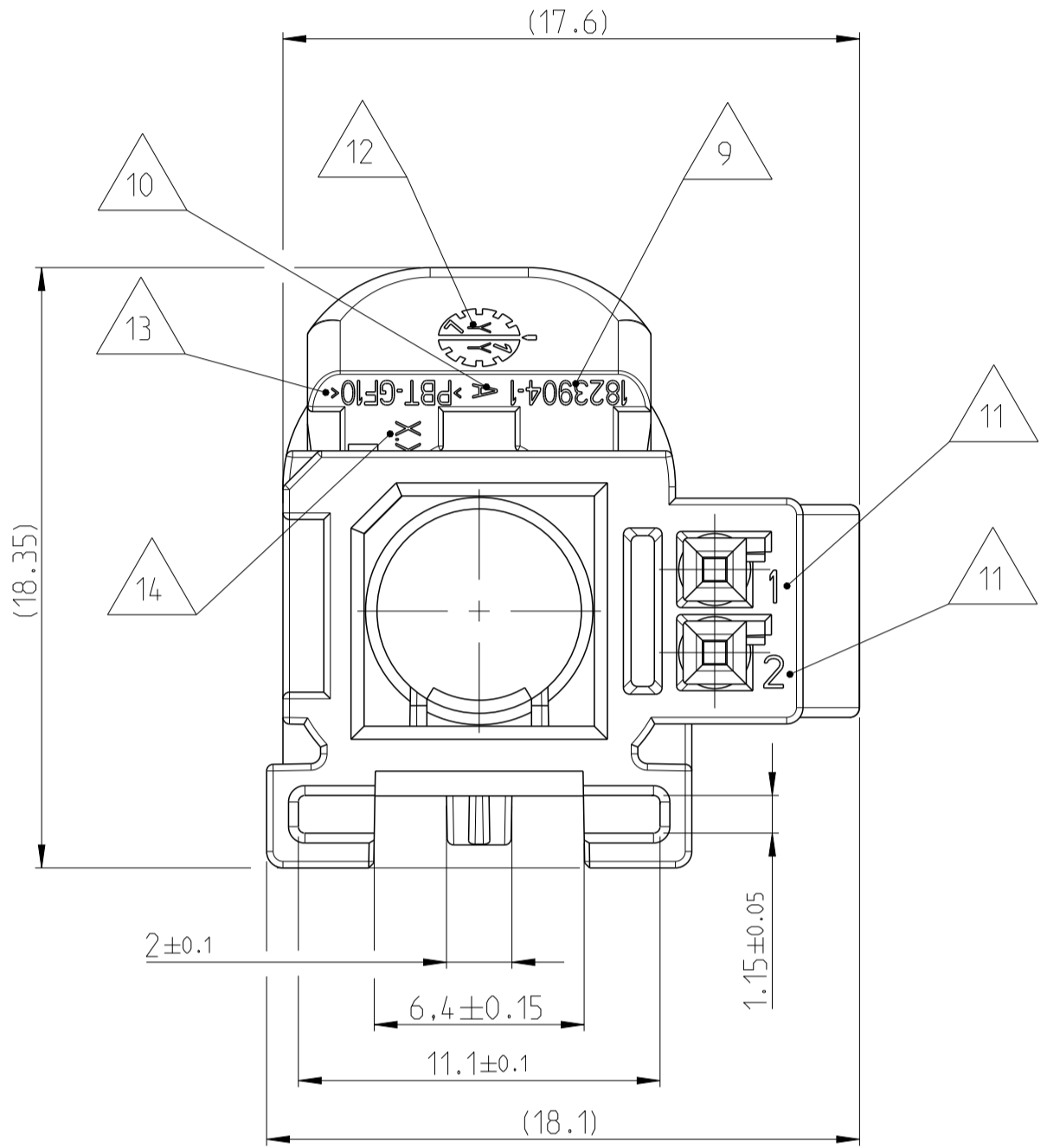


REVISIONS					
P	LTN	DESCRIPTION	DATE	OWN	APVD
A		NEW DRAWING	18NOV2013	LN	OF
A1		E-13-018187	20NOV2013	LN	UG
A2		E-16-008320	08JUN2016	SN	OF
A3		ADDED VARIANT 3-2177954-2	07JUN2019	SCK	JP

- NOTES
Bemerkungen
- PACKAGING: BULK MATERIAL IN PE-BAG PACKED IN CARTON
Verpackung: Schuettgut mit PE-Beutel verpackt in Karton
 - DETAILS OFF DESIGN ARE LEFT TO TE CONNECTIVITY
Einzelheiten der Ausfuehrung bleiben TE Connectivity ueberlassen
 - HSD INTERFACE ACC. TO 8VD.900.962
HSD Schnittstelle nach 8VD.900.962
 - ALL DIMENSIONS IN BRACKETS () ONLY FOR INFORMATION
Alle Maesse in () nur zur Information
 - CONDITION AS SUPPLIED: RETAINER IN PRE LOCKED POSITION
Lieferzustand: Verriegelung in Vorraststellung
 - ALL CODINGS RIBS SHOWN
Alle Kodierrippen dargestellt
 - TE CONNECTIVITY LOGO
TE Connectivity Logo
 - ORDER-NUMBER SEE TABLE
Bestell-Nummer siehe Tabelle
 - PART NUMBER SINGLE PART SEE TABLE
Teilenummer Einzelteil siehe Tabelle
 - REVISIONS-NUMBER SINGLE PART
Werkzeugaenderungsindex Einzelteil
 - MQS CAVITY NUMBER SINGLE PART
MQS Kammernummerierung Einzelteil
 - PRODUCTION-DATE
Produktions-Datum
 - MATERIAL MARKING
Werkstoffkennzeichnung
 - TOOL CAVITY MARKING SINGLE PART
Werkzeugnestmarkierung



2-2177954-1 (Code A)	2-2177954-2 (Code B)	2-2177954-3 (Code C)	2-2177954-4 (Code D)	2-2177954-5 (Code E)	2-2177954-6 (Code F)	2-2177954-9 (Code Z)

VARIANT	TE-ASSY NO	CODE	REV.	TE-PART NO	REV.	DESCRIPTION	MATERIAL	COLOUR / SIMILAR RAL	WEIGHT [g]	POS.
WITH CLIPRAIL (CURRENT SHEET)	3-2177954-9	O	A	1823904-1	A	RETAINER	PBT-GF10	VIOLET / 4003	-	2
				3-2177953-9	A	HOUSING	PA66-GF25	LIGHT GREEN / 6027	-	1
	3-2177954-6	M	A	1823904-1	A	RETAINER	PBT-GF10	VIOLET / 4003	-	2
				3-2177953-6	A	HOUSING	PA66-GF25	PASTEL ORANGE / 2003	-	1
	3-2177954-5	L	A	1823904-1	A	RETAINER	PBT-GF10	VIOLET / 4003	-	2
				3-2177953-5	A	HOUSING	PA66-GF25	YELLOW GREEN / 6018	-	1
	3-2177954-4	K	A	1823904-1	A	RETAINER	PBT-GF10	VIOLET / 4003	-	2
				3-2177953-4	A	HOUSING	PA66-GF25	CURRY / 1027	-	1
	3-2177954-3	J	A	1823904-1	A	RETAINER	PBT-GF10	VIOLET / 4003	-	2
				3-2177953-3	A	HOUSING	PA66-GF25	BEIGE / 1001	-	1
	3-2177954-2	H	A	1823904-1	A	RETAINER	PBT-GF10	VIOLET / 4003	2.7	2
				3-2177953-2	A	HOUSING	PA66-GF25	VIOLET / 4003	-	1
	3-2177954-1	G	A	1823904-1	A	RETAINER	PBT-GF10	VIOLET / 4006	-	2
				3-2177953-1	A	HOUSING	PA66-GF25	GREY / 7031	-	1
2-2177954-9	Z	A	1823904-1	A	RETAINER	PBT-GF10	VIOLET / 4006	2.7	2	
			2-2177953-9	A	HOUSING	PA66-GF25	WATER BLUE / 5021	-	1	
2-2177954-6	F	A	1823904-1	A	RETAINER	PBT-GF10	VIOLET / 4006	2.77	2	
			2-2177953-6	A	HOUSING	PA66-GF25	BROWN / 8011	-	1	
2-2177954-5	E	A	1823904-1	A	RETAINER	PBT-GF10	VIOLET / 4006	2.77	2	
			2-2177953-5	A	HOUSING	PA66-GF25	GREEN / 6002	-	1	
2-2177954-4	D	A	1823904-1	A	RETAINER	PBT-GF10	VIOLET / 4006	2.77	2	
			2-2177953-4	A	HOUSING	PA66-GF25	BORDEAUX / 4004	-	1	
2-2177954-3	C	A	1823904-1	A	RETAINER	PBT-GF10	VIOLET / 4006	2.77	2	
			2-2177953-3	A	HOUSING	PA66-GF25	BLUE / 5005	-	1	
2-2177954-2	B	A	1823904-1	A	RETAINER	PBT-GF10	VIOLET / 4006	2.77	2	
			2-2177953-2	A	HOUSING	PA66-GF25	WHITE / 9001	-	1	
2-2177954-1	A	A	1823904-1	A	RETAINER	PBT-GF10	VIOLET / 4006	2.77	2	
			2-2177953-1	A	HOUSING	PA66-GF25	BLACK / 9005	-	1	

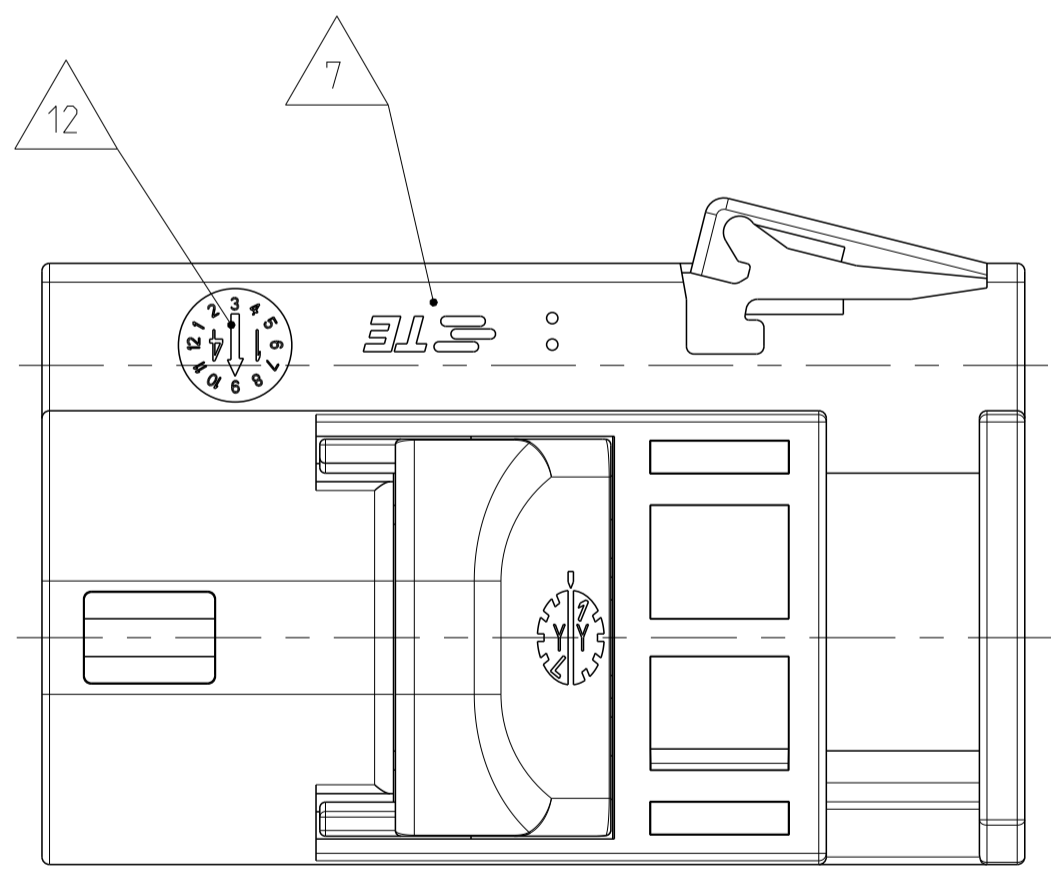
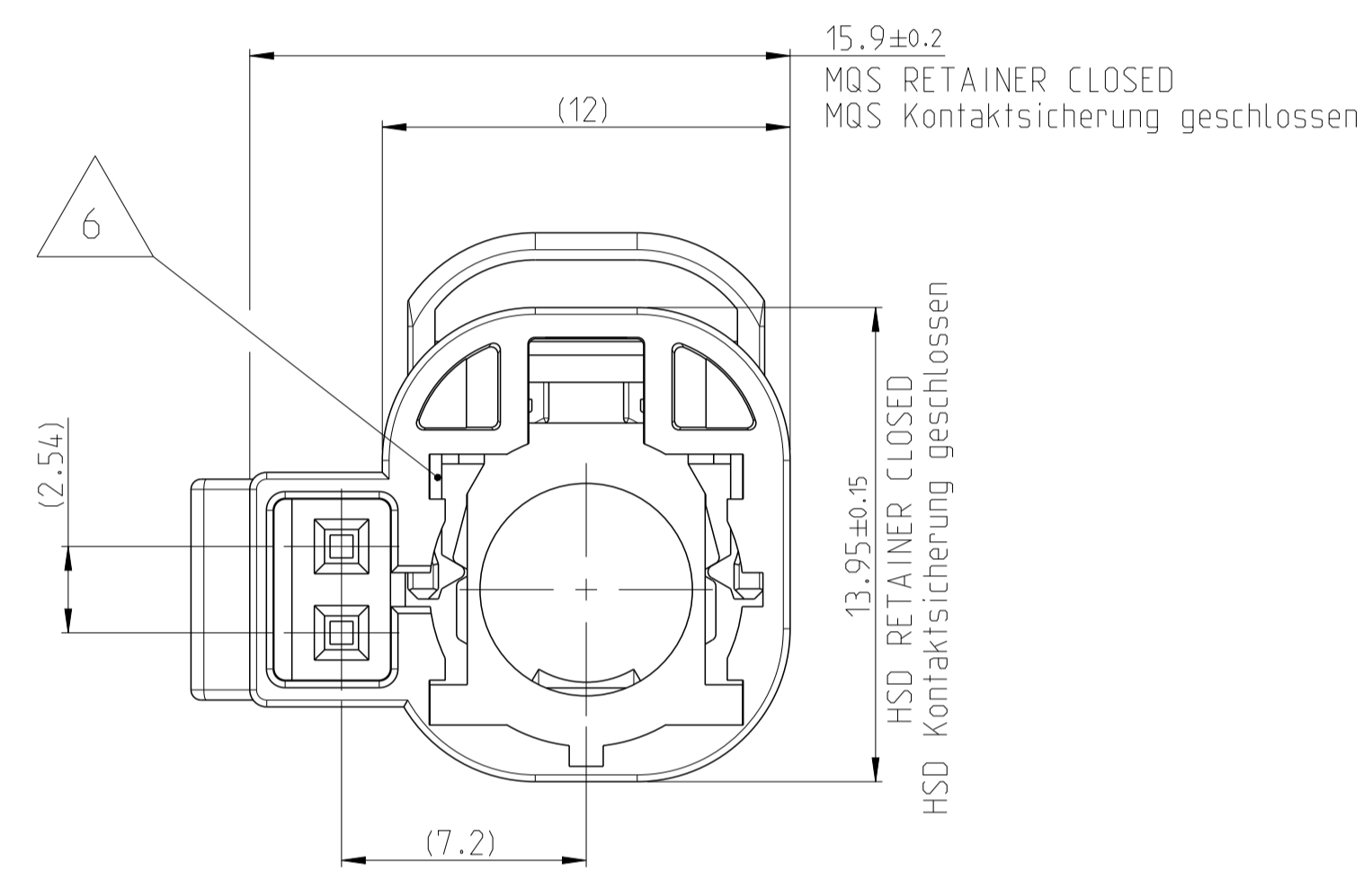
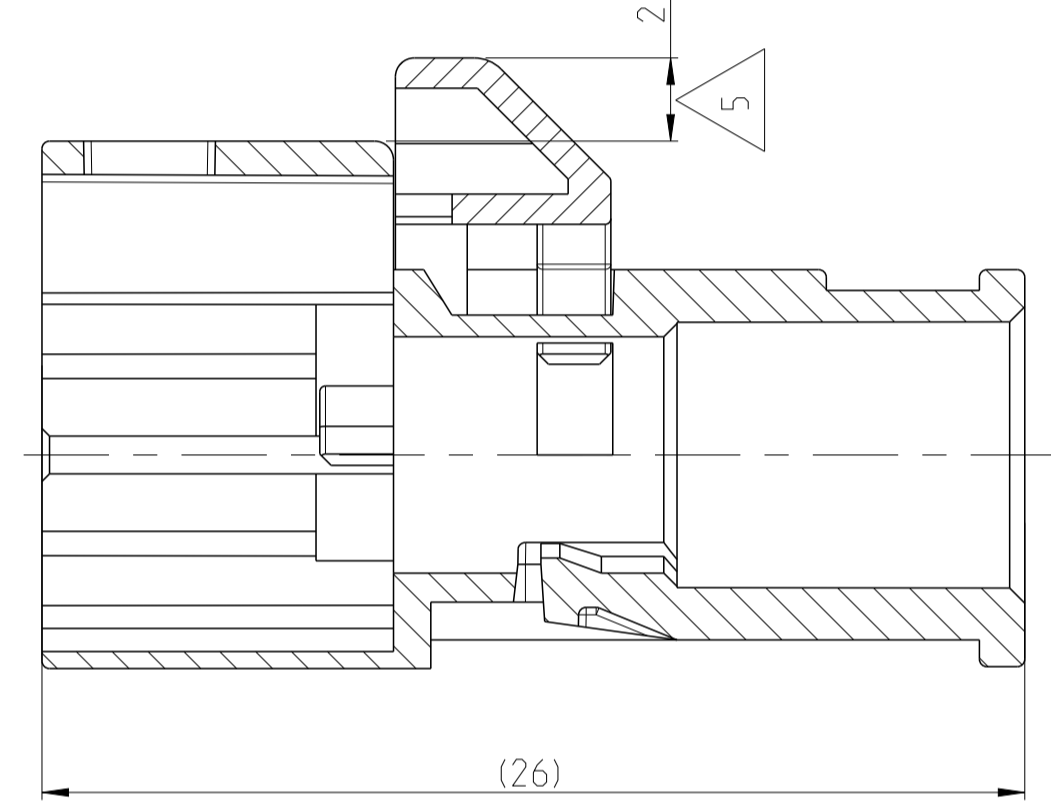
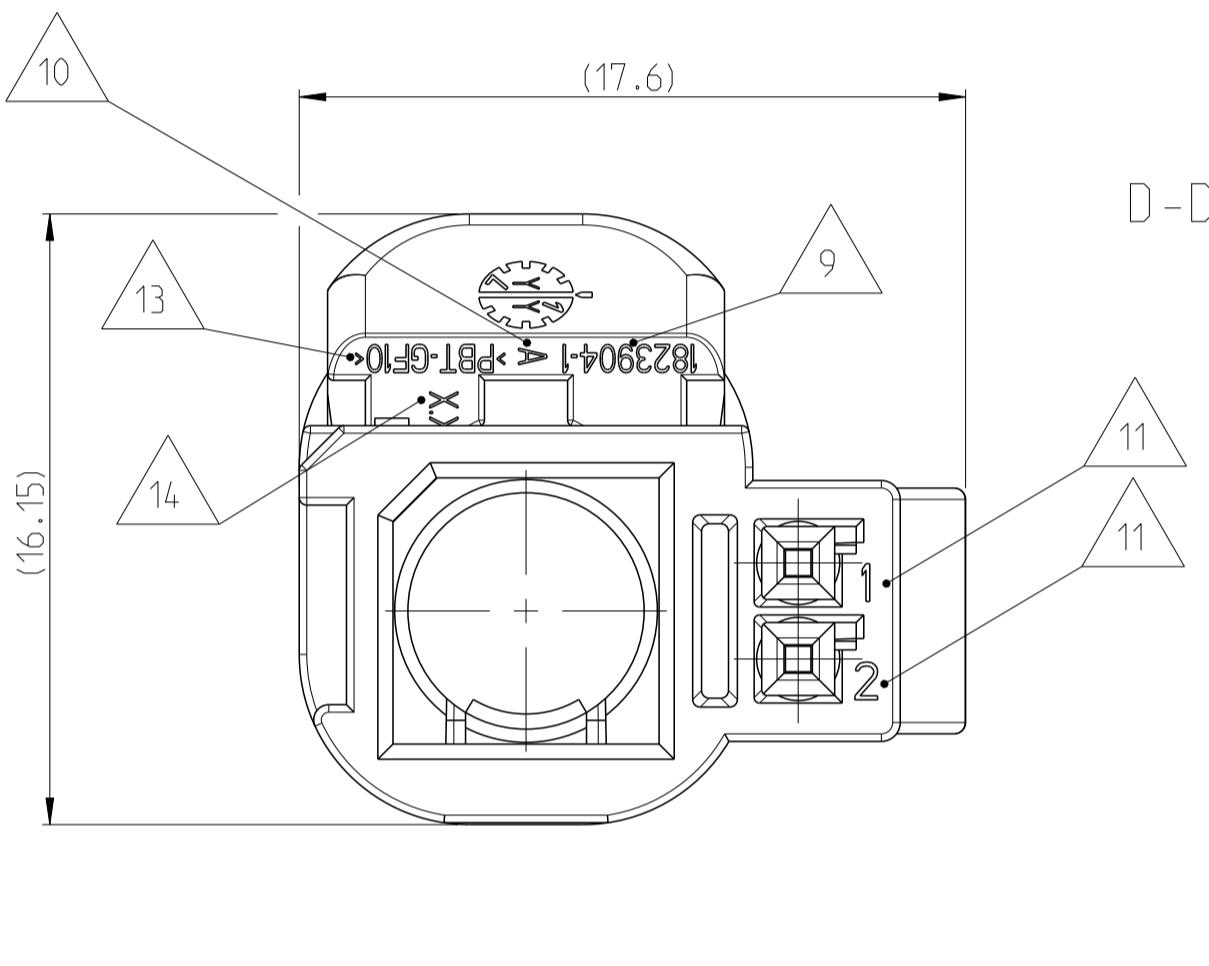
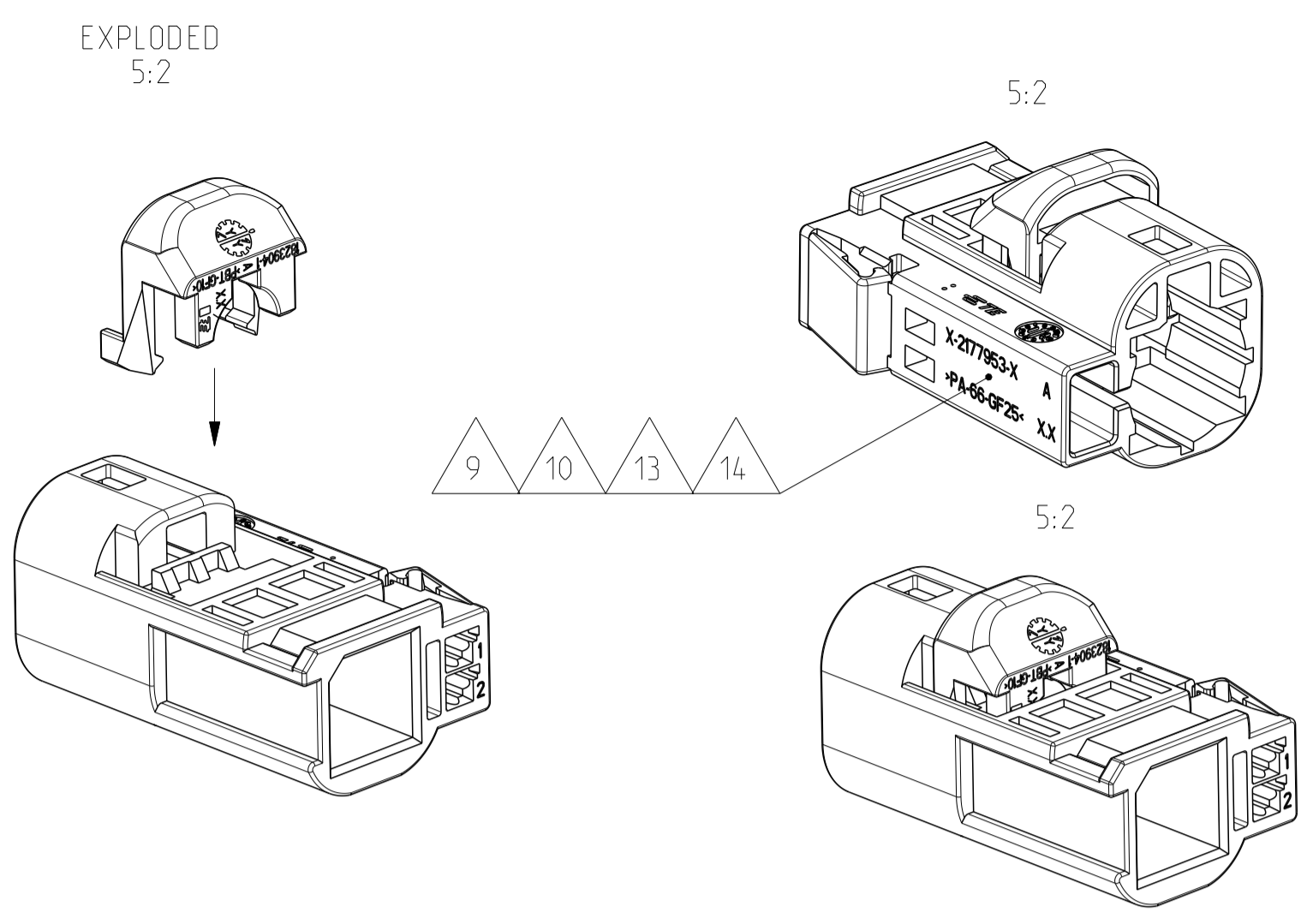
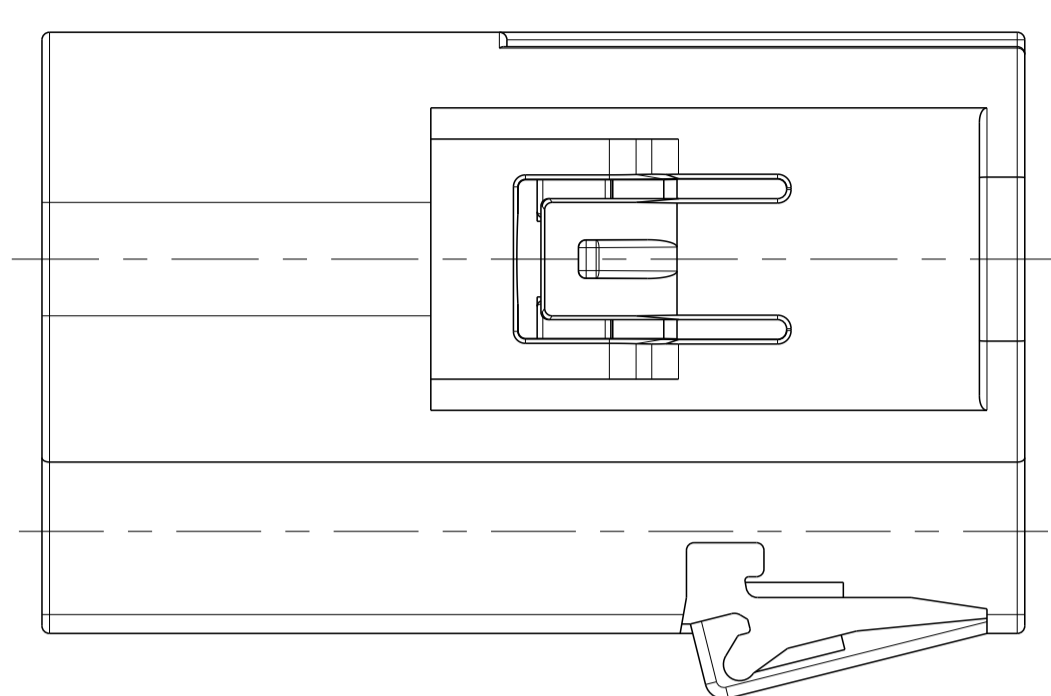
THIS DRAWING IS A CONTROLLED DOCUMENT. OWN: Stefan Nagel 13MAY2016, CHK: D. Fuch 23MAY2016, APVD: A. Kettler 23MAY2016

TOLERANCES UNLESS OTHERWISE SPECIFIED:
 DIMENSIONS: mm
 0 PLC # # # #
 1 PLC # # # #
 2 PLC # # # #
 3 PLC # # # #
 4 PLC # # # #
 ANGLES # # # #
 MATERIAL see table
 FINISH # # # #

TE Connectivity
 NAME: HSD180DEG+2MQS. PIN HOUSING ASSY
 PRODUCT SPEC: HSD180Grad+2MQS. Stiff Gen. ZB
 APPLICATION SPEC: 108-94434
 114-94058
 WEIGHT see table
 CUSTOMER DRAWING

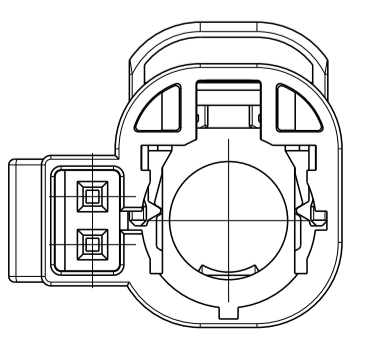
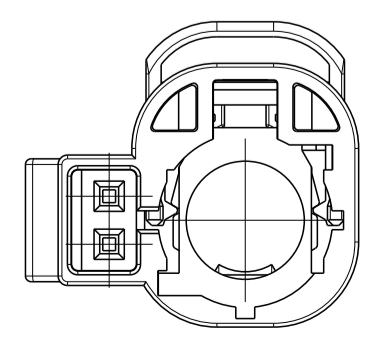
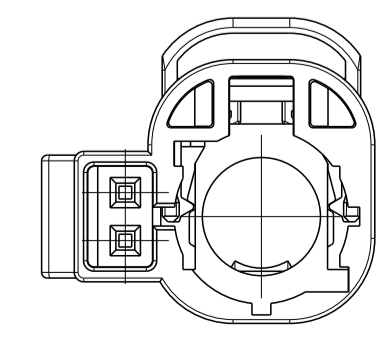
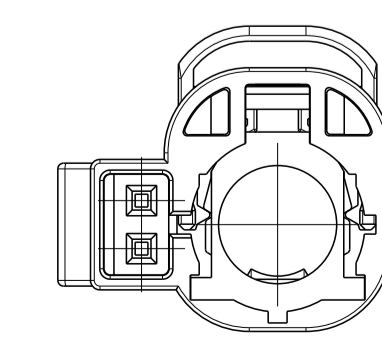
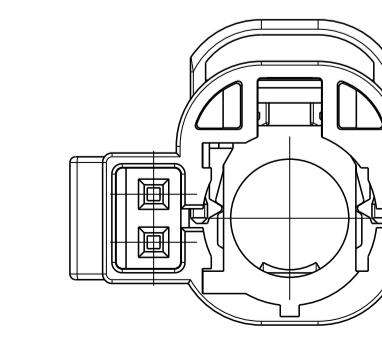
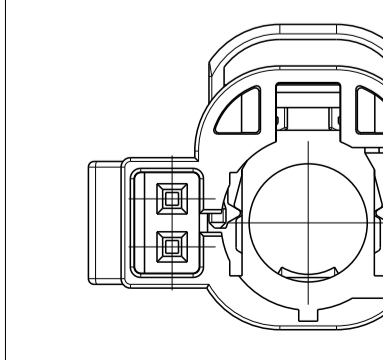
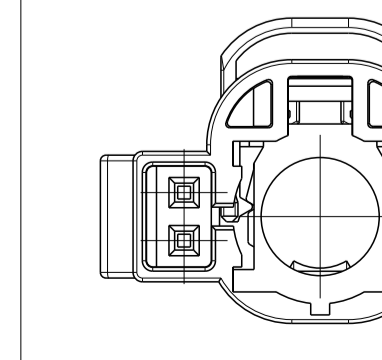
SIZE: A1
 CAGE CODE: 00779
 DRAWING NO: C=2177954
 RESTRICTED TO: -
 SCALE: 5:1
 SHEET: 1 OF 2
 REV: A3

REVISIONS				
REV.	DATE	BY	APPV.	DESCRIPTION
1				SEE SHEET 1



- NOTES
Bemerkungen
- PACKAGING: BULK MATERIAL IN PE-BAG PACKED IN CARTON
Verpackung: Schuettgut mit PE-Beutel verpackt in Karton
 - DETAILS OFF DESIGN ARE LEFT TO TE CONNECTIVITY
Einzelheiten der Ausfuehrung bleiben TE Connectivity ueberlassen
 - HSD INTERFACE ACC. TO 8V0.900.962
HSD Schnittstelle nach 8V0.900.962
 - ALL DIMENSIONS IN BRACKETS () ONLY FOR INFORMATION
Alle Maße in () nur zur Information
- 5 CONDITION AS SUPPLIED: RETAINER IN PRE LOCKED POSITION
Lieferzustand: Verriegelung in Vorraststellung
 - 6 ALL CODINGS RIBS SHOWN
Alle Kodierrippen dargestellt
 - 7 TE CONNECTIVITY LOGO
TE Connectivity Logo
 - 8 ORDER-NUMBER SEE TABLE
Bestell-Nummer siehe Tabelle
 - 9 PART NUMBER SINGLE PART SEE TABLE
Teilenummer Einzelteil siehe Tabelle
 - 10 REVISIONS-NUMBER SINGLE PART
Werkzeugaenderungsindex Einzelteil
 - 11 MQS CAVITY NUMBER SINGLE PART
MQS Kammernummerierung Einzelteil
 - 12 PRODUCTION-DATE
Produktions-Datum
 - 13 MATERIAL MARKING
Werkstoffkennzeichnung
 - 14 TOOL CAVITY MARKING SINGLE PART
Werkzeugnestmarkierung

VARIANT	TE-ASSY NO	CODE	REV.	TE-PART NO	REV.	DESCRIPTION	MATERIAL	COLOUR / SIMILAR RAL	WEIGHT [g]	POS.
WITHOUT CLIPRAIL	2177954-9	Z	A	1823904-1	A	RETAINER	PBT-GF10	VIOLET / 4006	2.64	2
				2177953-9	A	HOUSING	PA66-GF25	WATER BLUE / 5021		
	2177954-6	F	A	1823904-1	A	RETAINER	PBT-GF10	VIOLET / 4006	2.64	2
				2177953-6	A	HOUSING	PA66-GF25	BROWN / 8011		
	2177954-5	E	A	1823904-1	A	RETAINER	PBT-GF10	VIOLET / 4006	2.64	2
				2177953-5	A	HOUSING	PA66-GF25	GREEN / 6002		
	2177954-4	D	A	1823904-1	A	RETAINER	PBT-GF10	VIOLET / 4006	2.64	2
				2177953-4	A	HOUSING	PA66-GF25	BORDEAUX / 4004		
	2177954-3	C	A	1823904-1	A	RETAINER	PBT-GF10	VIOLET / 4006	2.64	2
				2177953-3	A	HOUSING	PA66-GF25	BLUE / 5005		
	2177954-2	B	A	1823904-1	A	RETAINER	PBT-GF10	VIOLET / 4006	2.64	2
				2177953-2	A	HOUSING	PA66-GF25	WHITE / 9001		
2177954-1	A	A	1823904-1	A	RETAINER	PBT-GF10	VIOLET / 4006	2.64	2	
			2177953-1	A	HOUSING	PA66-GF25	BLACK / 9005			

2177954-1 (Code A)	2177954-2 (Code B)	2177954-3 (Code C)	2177954-4 (Code D)	2177954-5 (Code E)	2177954-6 (Code F)	2177954-9 (Code Z)
						

THIS DRAWING IS A CONTROLLED DOCUMENT.

DIMENSIONS: mm

TOLERANCES UNLESS OTHERWISE SPECIFIED:

0 PLC	±0.1
1 PLC	±0.15
2 PLC	±0.2
3 PLC	±0.3
4 PLC	±0.5
ANGLES	±0.1°
FINISH	see table

MATERIAL: see table

WEIGHT: see table

CUSTOMER DRAWING

APV: Stefan Nagel 13MAY2016
 CHK: D. Fuch 23MAY2016

APV: A. Kettler 23MAY2016

NAME: HSD180DEG+2MQS. PIN HOUSING ASSY
 HSD180Grad+2MQS. Stiff Gen. ZB

SIZE: A1 CAGE CODE: 00779 DRAWING NO: 2177954

RESTRICTED TO: -

SCALE: 5:1 SHEET: 2 OF 2 REV: A3