

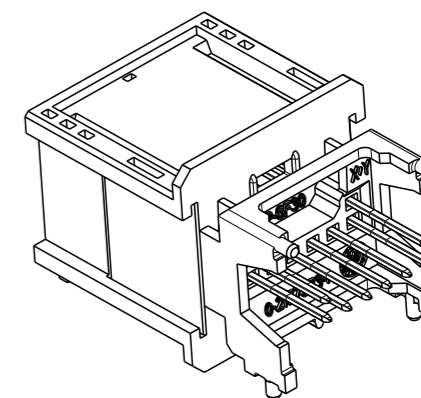
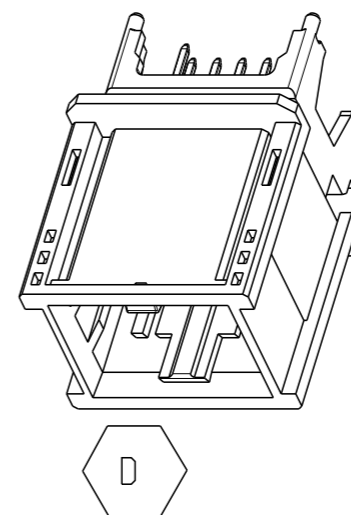
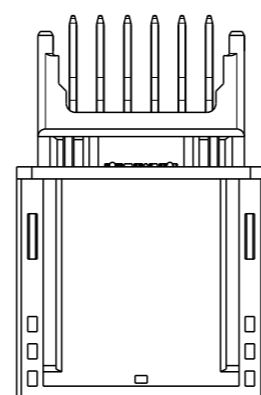
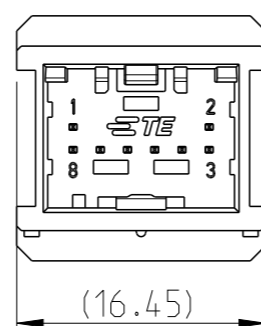
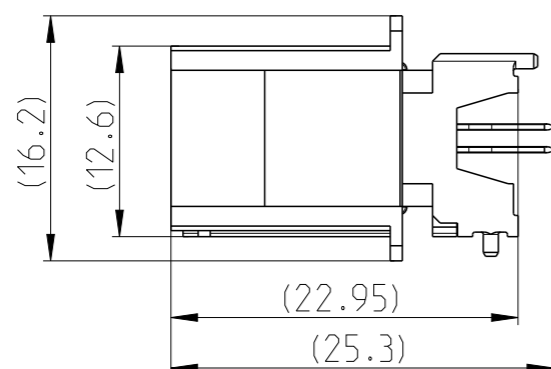
LOC
A1

DIST
-


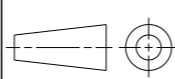
REVISIONS

P	LTR	DESCRIPTION	DATE	DWN	APVD
	B	INTERFACE ADAPTION	04JUL2012	N.L.	N.L.
	C	pin cavity change, side wall thickening	13NOV2015	Beck	Beck
	C1	CAD model adapted to real part	02AUG2016	BREN	BECK
	D	modificatin on coding	100KT2017	Beck	Beck

**FOR ANY PRODUCT AND SAMPELING
RELEVANT REQUIREMENT PLEASE REFER TO:
(C)-114-94160
"PLATFORM PRODUCT DRAWING, HEADERS
FOR NANO-MQS MARKET SERIES"**



**FOR EXAMPLE SHOWN IS
0-2177768-1**

THIS DRAWING IS A CONTROLLED DOCUMENT.		DWN NEUEBRT, L. 12DEC2011	 TE Connectivity				
DIMENSIONS: mm		CHK FRANK, O. 22DEC2011					
TOLERANCES UNLESS OTHERWISE SPECIFIED:		APVD SPIELVOGEL, M. -	NAME 8POS,TAB 0.5X0.4,HEADER ASSY 180 DEG. THT				
		PRODUCT SPEC -	APPLICATION SPEC -				
MATERIAL -		FINISH -	WEIGHT -	SIZE A3	CAGE CODE 00779	DRAWING NO C-2177768	RESTRICTED TO -
Customer Drawing			SCALE 2:1	SHEET 1 OF 1	REV D		