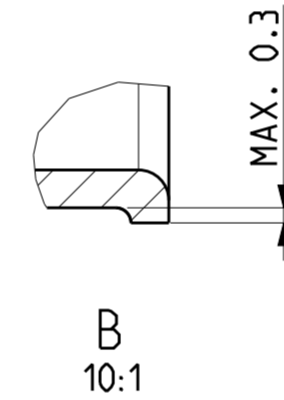
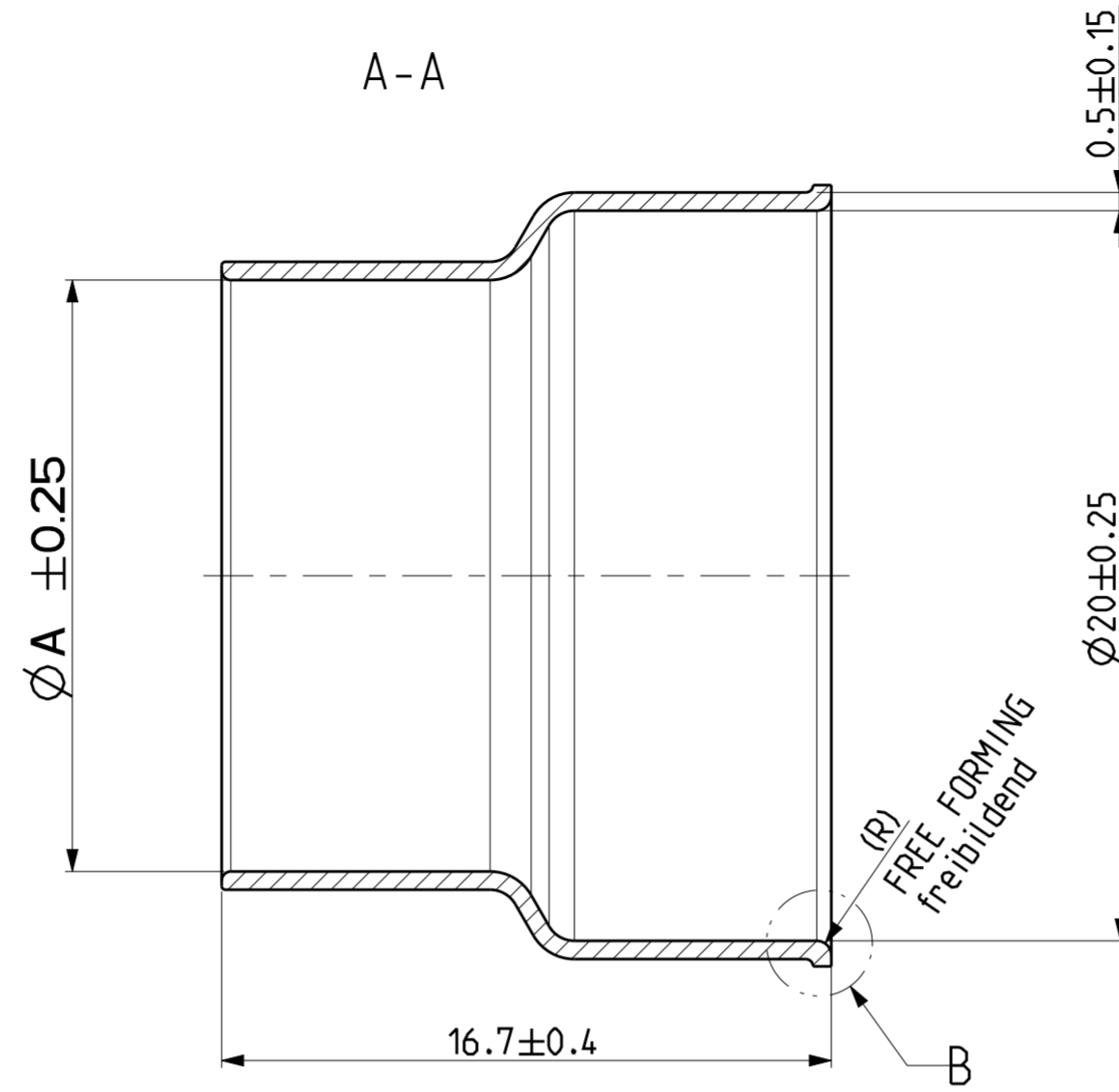
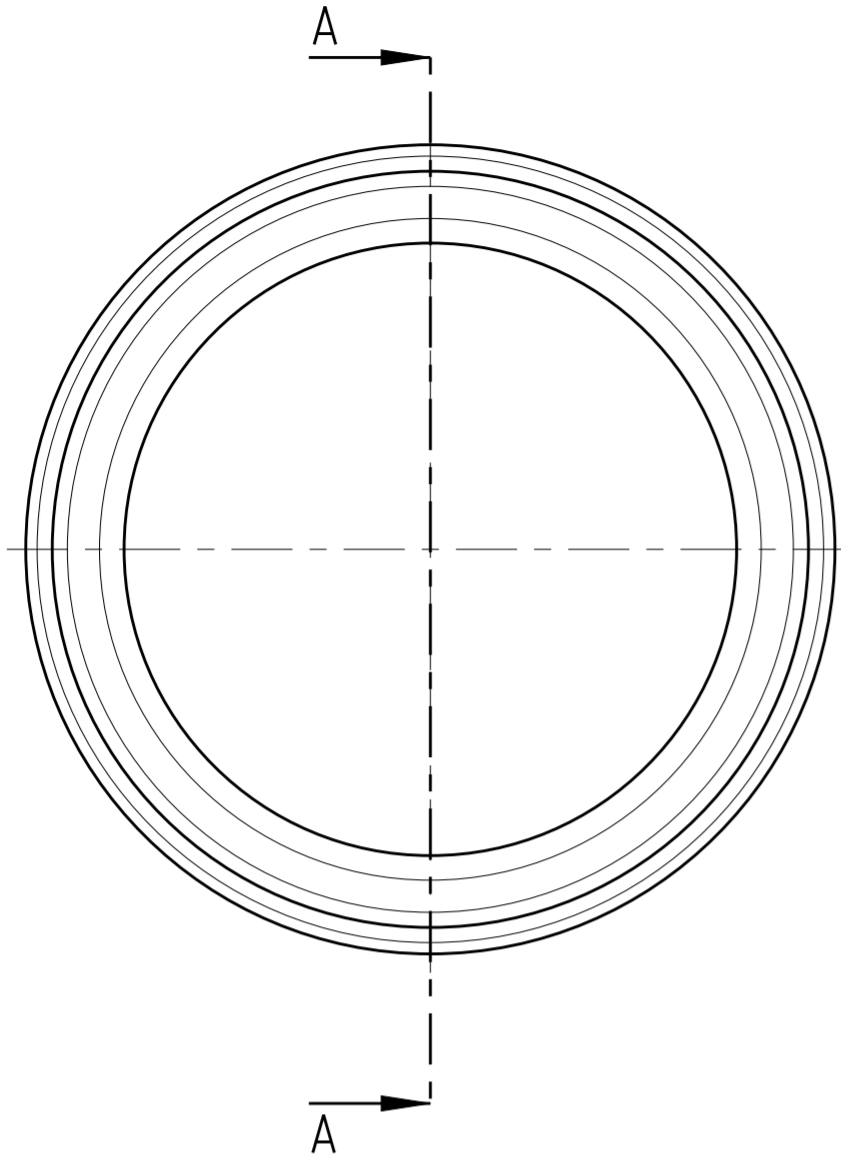


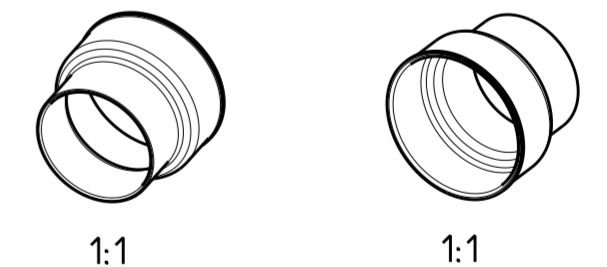
| P  | LTR | DESCRIPTION                       | DATE      | DWN  | APVD |
|----|-----|-----------------------------------|-----------|------|------|
| B  |     | NEW VARIANT ADDED                 | 24NOV2016 | W.SA | DHV  |
| C  |     | PN 9-2177090-1/-2/-3 Obsolete     | 27SEP2017 | CR   | DHV  |
| C1 |     | PN 0-2177090-5 in Tabelle hinzu   | 23MAR2018 | CR   | DHV  |
| C2 |     | New PN 0-2177090-6 added in table | 08MAY2019 | JJH  | TSV  |



- ONLY THE GERMAN LANGUAGE IS AUTHORITATIVE  
Massgebend ist der deutsche Text
- PACKAGING: BULK PACKAGING IN SHIPPING BOX  
Verpackung: Schuettgut in Versandkarton

| NOTE Bem. | FEATURE Merkmal                                    |
|-----------|--|
| 3         | PRODUCT-SPEC. 108-94297<br>Produkt-Spez.           |
| 4         | APPLICATION-SPEC. 114-94130<br>Verarbeitungs-Spez. |

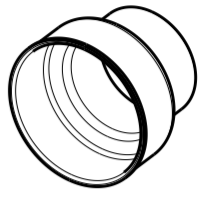
| TE-ORDER-NO.<br>TE-Bestell-Nr. | REV | DESCRIPTION<br>Benennung                   | DIMENSION A<br>Mass A | FOR / fuer<br>WIRE SIZE [MM <sup>2</sup> ]<br>Leitungsquers. [mm <sup>2</sup> ] | MATERIAL                                   | WEIGHT<br>Gewicht [g] | SURFACE<br>Oberflaeche |
|--------------------------------|-----|--|-----------------------|---|--|-----------------------|------------------------|
| 0-2177090-6                    | A   | SHIELD CRIMP FERRULE<br>Schirm Crimphuelse | 15.6                  | 50mm <sup>2</sup> General Cable<br>Prestolite ES-2364<br>for FCA Specific       | STAINLESS STEEL 1.4301<br>Edelstahl 1.4301 | 4.0                   | BLANK<br>blank         |
| 0-2177090-5                    | A   |  | 13.6                  | 35mm <sup>2</sup><br>Prestolite   |  |                       |                        |
| 0-2177090-4                    | A   |  | 10.5                  | 16  |  |                       |                        |
| 0-2177090-3                    | A   |  | 12.5                  | 25  |  |                       |                        |
| 0-2177090-2                    | A   |  | 14.8                  | 35  |  |                       |                        |
| 0-2177090-1                    | A   |  | 16.2                  | 50  |  |                       |                        |



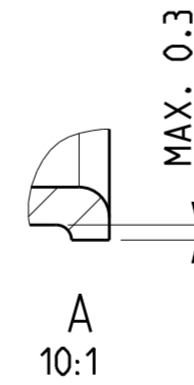
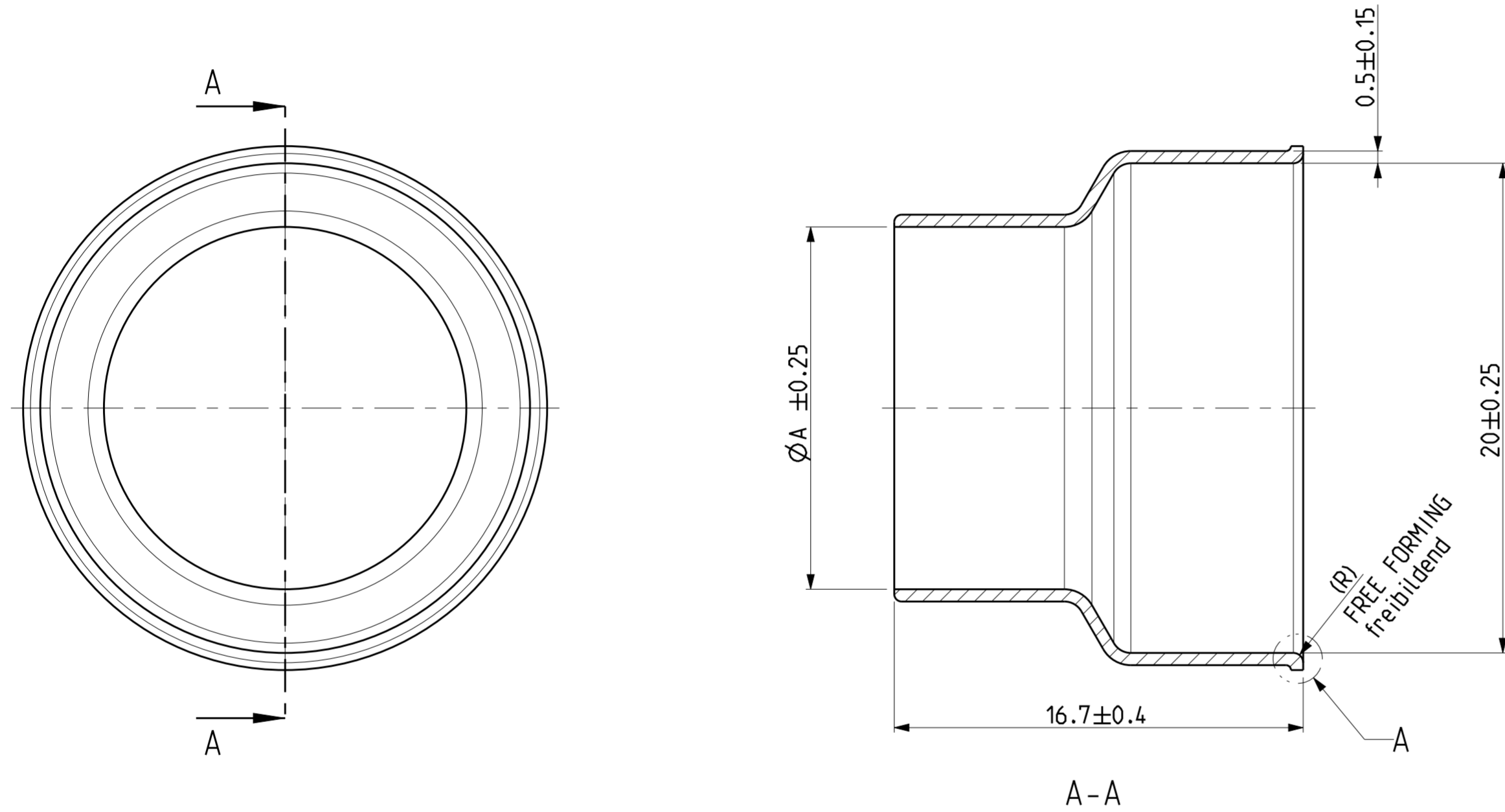
0- -1 AS SHOWN  
wie gezeichnet

|   |  |  |  |
|---|--|--|--|
| PRODUCT CHARACTERISTICS ACC. QMP_EMEA_012<br>BESONDERE MERKMALE NACH QMP_EMEA_012 |  | TOLERANCING ISO 8015<br>TOLERIERUNG ISO 8015 |  |
| THIS DRAWING IS A CONTROLLED DOCUMENT.  |  | DWN<br>I.Salman 06MAY2011                    | TE Connectivity                                    |
| DIMENSIONS:<br>mm   |  | CHK<br>U.Hoepfner 09MAY2011                  |  |
| TOLERANCES UNLESS<br>OTHERWISE SPECIFIED:<br>DIN ISO 2768-mK                      |  | APVD<br>D.H.VU 09MAY2011                     |  |
| MATERIAL  |  | PRODUCT SPEC                                 | NAME<br>SHIELD CRIMP FERRULE<br>Schirm Crimphuelse |
| FINISH  |  | APPLIC. SPEC                                 | SIZE<br>A2   |
| finish_spec_2   |  | WEIGHT                                       | CAGE CODE<br>00779                                 |
| CUSTOMER DRAWING  |  | SCALE<br>5:1                                 | DRAWING NO.<br>C-2177090                           |
|   |  | SHEET<br>1 OF 2                              | RESTRICTED TO                                      |
|   |  | REV<br>C2                                    |  |

| P | LTR | DESCRIPTION | DATE | DWN | APVD |
|---|-----|-------------|------|-----|------|
| - |     | SEE SHEET 1 | -    | -   | -    |



1:1



NOTES:

Bemerkungen:

- ONLY THE GERMAN LANGUAGE IS AUTHORITATIVE  
Maßgebend ist der deutsche Text
- PACKAGING: BULK PACKAGING IN SHIPPING BOX  
Verpackung: Schuetftgut in Versandkarton

OBSOLETE

| NOTE Bem. | FEATURE Merkmal                                    |
|-----------|--|
| 3         | PRODUCT-SPEC. 108-94297<br>Produkt-Spez.           |
| 4         | APPLICATION-SPEC. 114-94130<br>Verarbeitungs-Spez. |

| 9-2177090-3                    | 1   |  | 12.5                  | 25  |  |                           |                        |
|--------------------------------|-----|--|-----------------------|---|--|---------------------------|------------------------|
| 9-2177090-2                    | 1   | SHIELD CRIMP FERRULE<br>Schirm Crimphuelse | 14.8                  | 35  | STAINLESS STEEL 1.4301<br>Edelstahl 1.4301 | 4                         | BLANK<br>blank         |
| 9-2177090-1                    | 1   |  | 16.2                  | 50  |  |                           |                        |
| TE-ORDER-NO.<br>TE-Bestell-Nr. | REV | DESCRIPTION<br>Benennung                   | DIMENSION A<br>Mass A | FOR / fuer<br>WIRE SIZE [MM <sup>2</sup> ]<br>Leitungsquers. [mm <sup>2</sup> ] | MATERIAL                                   | WEIGHT [G]<br>Gewicht [g] | SURFACE<br>Oberflaeche |

|   |  |  |  |
|---|--|--|--|
| PRODUCT CHARACTERISTICS ACC. QMP.EMEA.012<br>BESONDERE MERKMALE NACH QMP.EMEA.012 |  | TOLERANCING ISO 8015<br>TOLERIERUNG ISO 8015   |  |
| THIS DRAWING IS A CONTROLLED DOCUMENT.  |  | DWN<br>I.Salman 06MAY2011  | TE Connectivity  |
|   |  | CHK<br>U.Hoepfner 09MAY2011  |  |
|   |  | APVD<br>D.H.VU 09MAY2011   |  |
| DIMENSIONS: mm<br>  |  | TOLERANCES UNLESS OTHERWISE SPECIFIED:<br>0 PLC ±<br>1 PLC ±<br>2 PLC ±<br>3 PLC ±<br>4 PLC ±<br>ANGLES ±°<br>FINISH - | NAME SHIELD CRIMP FERRULE<br>Schirm Crimphuelse<br>SIZE A2 CAGE CODE 00779 DRAWING NO C-2177090<br>RESTRICTED TO |
| MATERIAL -  |  | PRODUCT SPEC -   | SCALE 5:1 SHEET 2 OF 2 REV C2  |
| finish_spec_2   |  | APPLICATION SPEC -   | CUSTOMER DRAWING   |