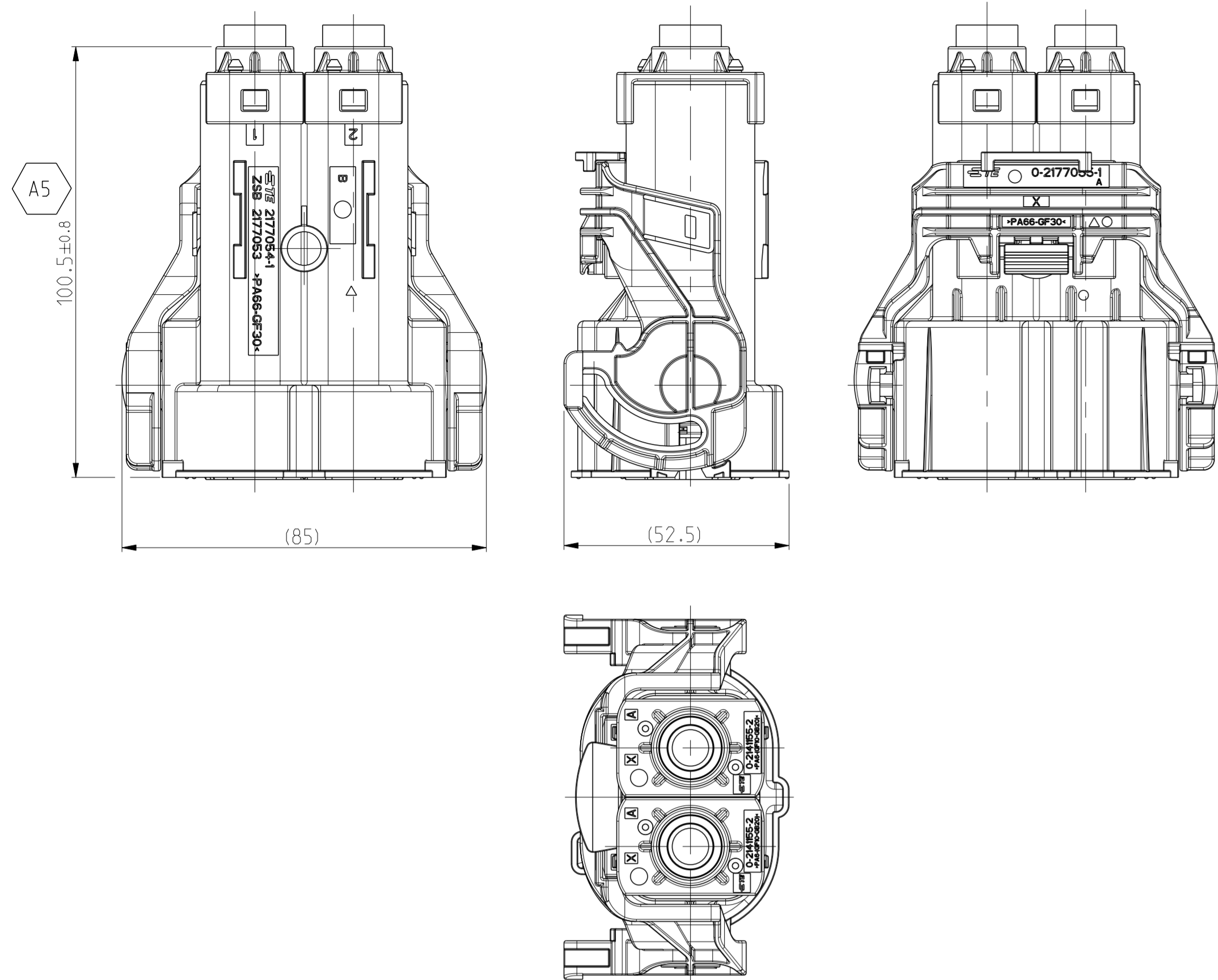
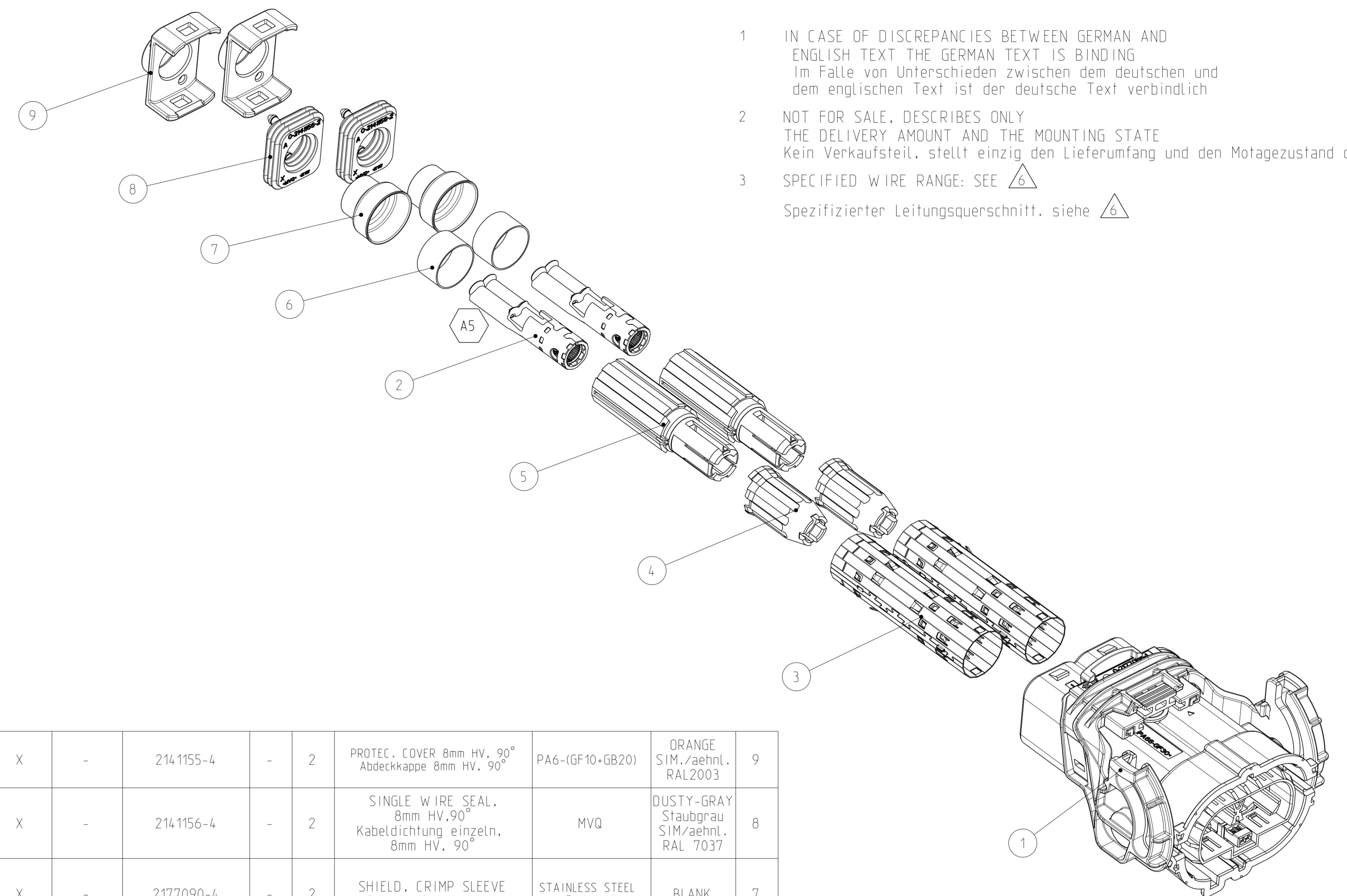
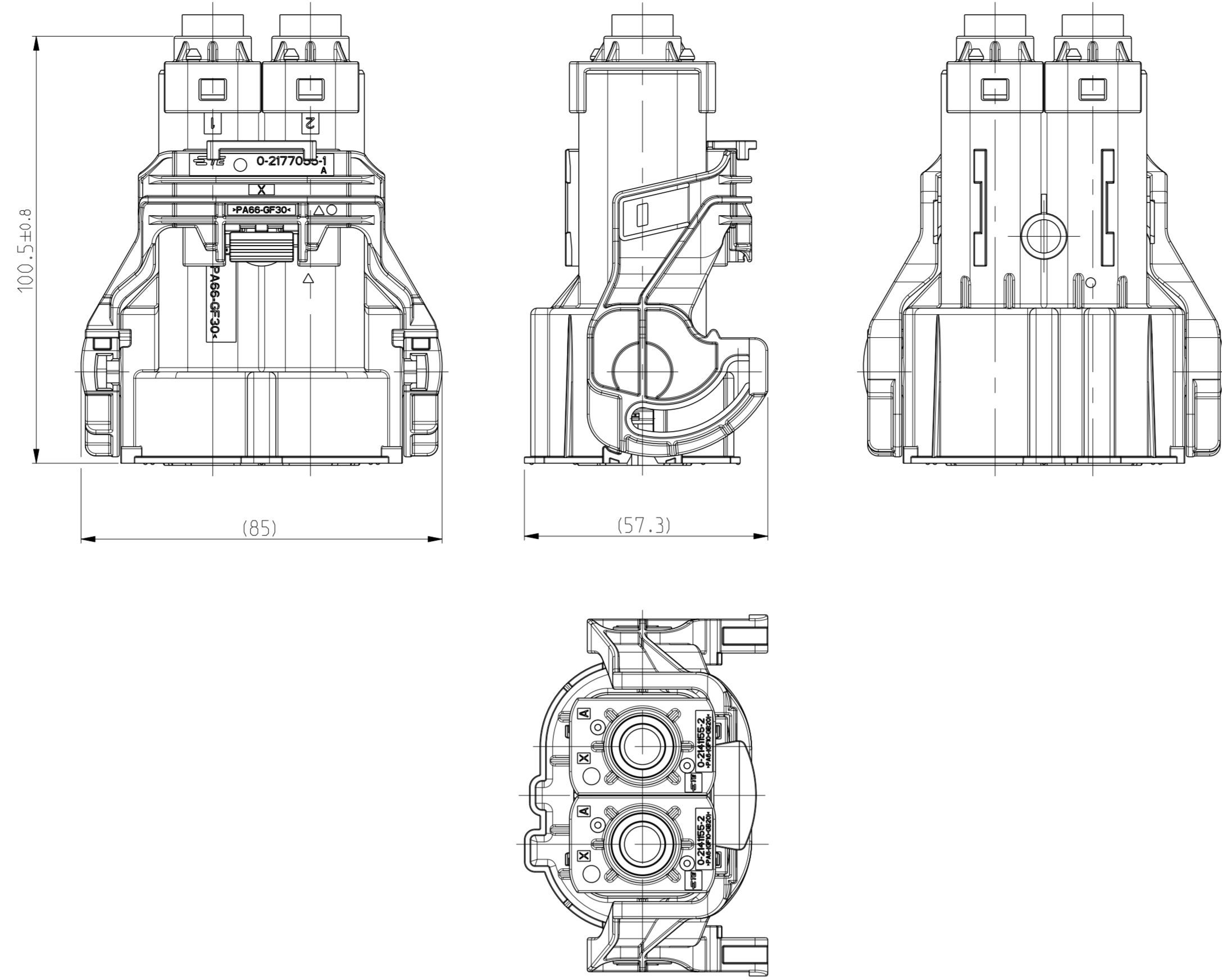


LEVER OPERATION SIDE ○
Hebel Betaetigungsseite



LEVER OPERATION SIDE △
Hebel Betaetigungsseite



1 IN CASE OF DISCREPANCIES BETWEEN GERMAN AND ENGLISH TEXT THE GERMAN TEXT IS BINDING
Im Falle von Unterschieden zwischen dem deutschen und dem englischen Text ist der deutsche Text verbindlich
2 NOT FOR SALE. DESCRIBES ONLY THE DELIVERY AMOUNT AND THE MOUNTING STATE
Kein Verkaufsteil. stellt einzig den Lieferumfang und den Montagezustand dar
3 SPECIFIED WIRE RANGE: SEE △
Spezifizierter Leitungsquerschnitt. siehe △

CODINGS/Codierung
1:1

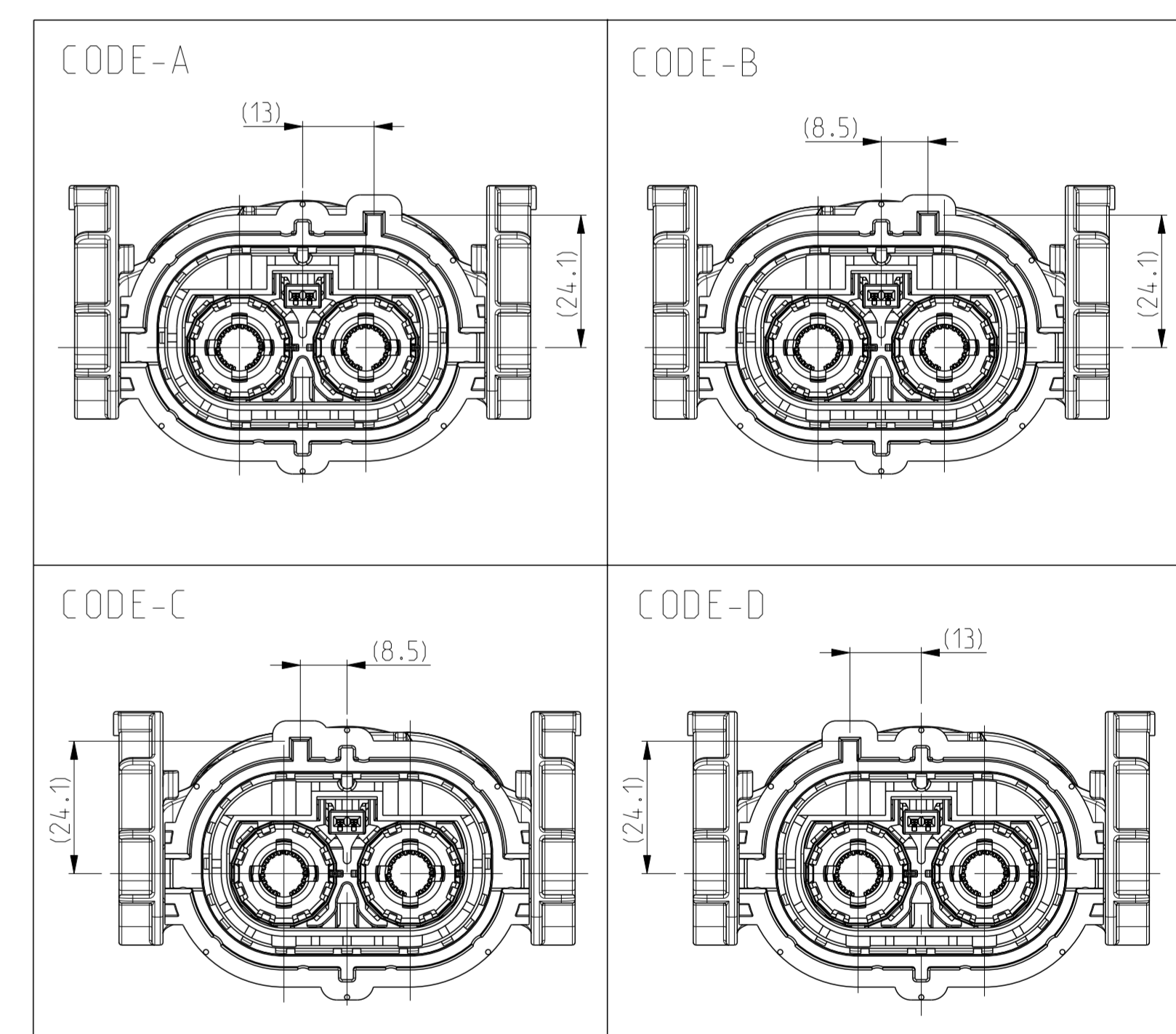


Table with columns for VERSION, CODE A-D, MASS (g), TE ORDER-NO., CODE, QTY, PART DESCRIPTION, MATERIAL, COLOUR, and ITEM. It lists various configurations for a 35mm² cable dimension with lever operation side ○.

Table with columns for VERSION, CODE A-D, MASS (g), TE ORDER-NO., CODE, QTY, PART DESCRIPTION, MATERIAL, COLOUR, and ITEM. It lists various configurations for a 16mm² cable dimension with lever operation side △.

Table with columns for VERSION, CODE A-D, MASS (g), TE ORDER-NO., CODE, QTY, PART DESCRIPTION, MATERIAL, COLOUR, and ITEM. It lists various configurations for a 50mm² cable dimension with lever operation side ○.

Table with columns for VERSION, CODE A-D, MASS (g), TE ORDER-NO., CODE, QTY, PART DESCRIPTION, MATERIAL, COLOUR, and ITEM. It lists various configurations for a 25mm² cable dimension with lever operation side △.

NOTE table with columns for Bem. (Notes) and FEATURE (Features), listing product and application specifications.

Technical drawing footer including drawing title, drawing no. (A0 00779), scale, sheet number (1 of 2), and manufacturer logo (STE).

A5 LEVER OPERATION SIDE
Hebel Betaetigungsseite

92.5±0.8
85±0.3

1- -1 AS SHOWN
wie gezeichnet
1:1

A5 LEVER OPERATION SIDE
Hebel Betaetigungsseite

92.5±0.8
85±0.3

1- -2 AS SHOWN
wie gezeichnet
1:1

CODINGS/Codierung
1:1

CODE-A (13) (8.5) (24.1)
CODE-B (8.5) (24.1)
CODE-C (8.5) (24.1)
CODE-D (13) (24.1)

POS	DESCRIPTION
1	2POS, 8mm HV, REC HSG, 180°, ASSY, SEALED 2pol., gedichtete Assy, 8mm HV, 180°

C-C (Cb1) Cb1m
B-B 2:1
3.5±0.1
49.5
15.3±0.1

2208669-3	16	9.65	9.65-0.97	5.85±0.10
2208669-3	25			6.50±0.10
2208608-3	35	11.70	11.70-1.17	7.50±0.15
2208608-3	50			8.45±0.15
TE-ORDER-NO.	Wire Size (mm²)	Cb1 (mm)	Cb1m (mm)	Ch1 (mm)
TE-Bestell-Nr.				

POS	DESCRIPTION
2	HV 8mm Socket Terminal, 180° HV 8mm Buchsenkontakt, 180°

LASER-WELDED SPOTS
Laser-geschweisster Punkt

A A-A 2:1
69.8±0.4
18.9±0.2 (8x)

POS	DESCRIPTION
3	SHIELDING SLEEVE, 180° Schirmhülse, 180°

18±0.2
30.8±0.3
23.9±0.2

POS	DESCRIPTION
4	FINGER PROT CAP 8mm HV, 180° Fingerschutzkappe 8mm HV, 180°

60.5±0.3
18±0.2

POS	DESCRIPTION
5	INSULATION INSERT 180° Isolationskoerper 180°

TE PN 2177061-1
Alternative TE PN 2177061-2

A-A 10±0.2
Ø18±0.15

POS	DESCRIPTION
6	SHIELD CRIMP FERRULE, INNER Untercrimphülse

A-A 20±0.25
16.7±0.4
ØA±0.25

POS	DESCRIPTION
7	SHIELD, CRIMP SLEEVE Schirm, Crimpbuchse

2177090-3	12.5
2177090-2	14.8
2177090-1	16.2
TE-ORDER-NO.	DIMENSION A
TE-Bestell-Nr.	Mass A

27.9±0.3
23.4±0.3
7.8±0.1
ØA

POS	DESCRIPTION
8	SINGLE WIRE SEAL, 8mm HV, 90° Kabeldichtung einzeln, 8mm HV, 90°

2141156-4	8.6
2141156-3	10.6
2141156-2	12.8
2141156-1	13.6
TE-ORDER-NO.	DIMENSION A
TE-Bestell-Nr.	Mass A

34.4
7.1±0.2
30.4±0.08
22.8±0.2
ØA±0.1
18±0.4

POS	DESCRIPTION
9	PROTEC. COVER 8mm HV, 90° Abdeckkappe 8mm HV, 90°

2141155-4	10.6
2141155-3	12.6
2141155-2	14.8
2141155-1	16.2
TE-ORDER-NO.	DIMENSION A
TE-Bestell-Nr.	Mass A

TOLERANCING ISO 8015
TOLERIERUNG ISO 8015

DIESE ZEICHNUNG IST EIN KONTROLLIERTES DOKUMENT.
DIMENSIONEN UND TOLERANZEN GEMÄSS: GPS ISO STANDARDS.

THIS DRAWING IS A CONTROLLED DOCUMENT.
DIMENSIONING AND TOLERANCING PER GPS ISO STANDARDS.

DATE: 19DEC2016
BY: J. Tabolati
CHK: H. D. Yu
APP: A. Kallalad
PRODUCT SPEC: PRODUKT-SPEZ.
VARIATION/REVIZ.: VERÄNDERUNGSVERZ.
APPLICATION SPEC: ANWENDUNGS-SPEZ.
MATERIAL: MATERIAL
SEE TABLE: SIEHE TABELLE

SCALE: 1:1
SHEET: 2 OF 2

STE TE Connectivity

2POS 8mm HV KIT, 180DEG, SEALED
2pol 8mm HV Kit, 180Grad, gedichtet
OVERVIEW / Uebersicht, ASSY

SCALE: 1:1
SHEET: 2 OF 2