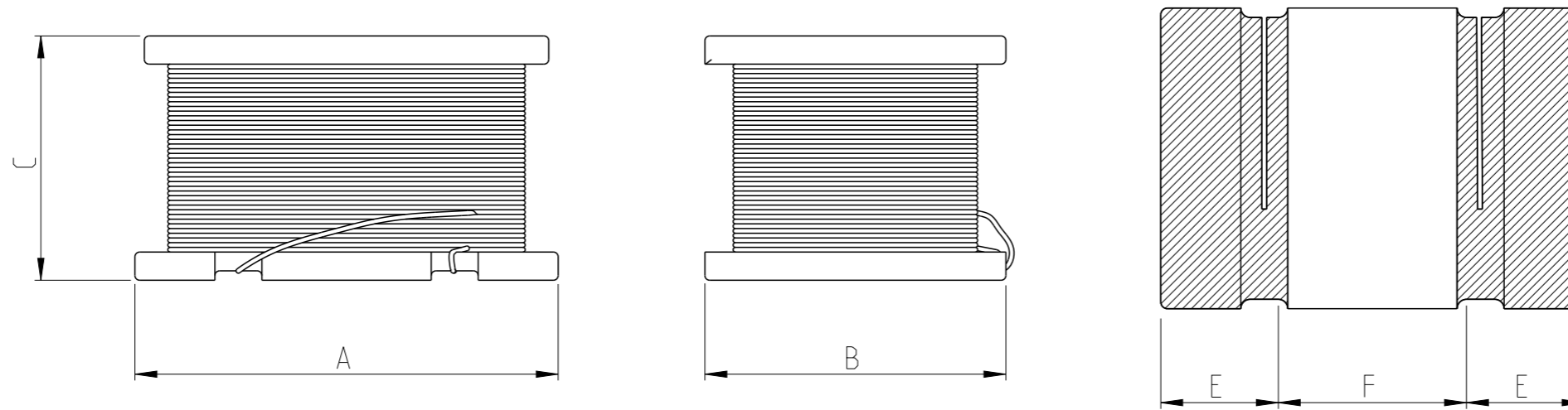


P	LTR	DESCRIPTION	DATE	DWN	APVD
	BA	NEW DRAWING RELEASE	18AUG2023	DM	AP

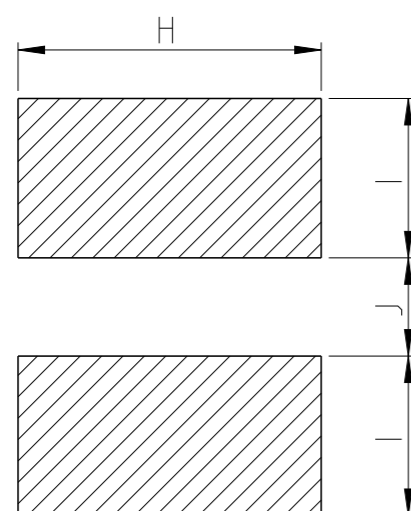
FOR FURTHER INFORMATION SEE DATA SHEET FOR
MINIATURE SMD POWER INDUCTOR TYPE 3627 SERIES



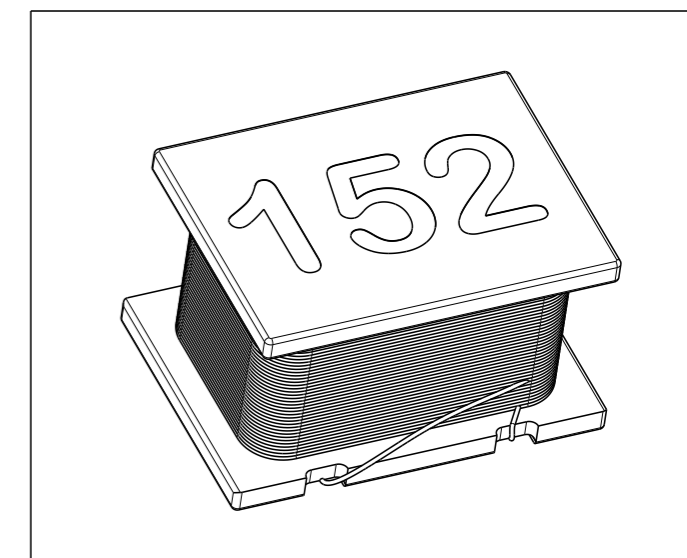
A	B	C	E	F
4.5±0.3	3.2±0.2	2.6±0.4	1.0 min.	1.0 min.

RoHS Compliant

RECOMMENDED LAND PATTERN



H	I	J
3.0	2.0	1.2



THIS DRAWING IS A CONTROLLED DOCUMENT.		DWN DHEERA J M 18AUG2023		
DIMENSIONS: mm		CHK TRACY G 18AUG2023		
TOLERANCES UNLESS OTHERWISE SPECIFIED:		APVD ALLAN P 18AUG2023	NAME MINIATURE SMD POWER INDUCTOR TYPE 3627 453226C SERIES	
		PRODUCT SPEC -	APPLICATION SPEC -	
MATERIAL -		FINISH -	WEIGHT -	RESTRICTED TO -
		CUSTOMER DRAWING	SIZE A3	CAGE CODE 00779
			DRAWING NO C=2176640-C	SCALE 15:1
			SHEET 1 OF 2	REV BA

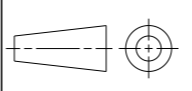
REVISIONS

P	LTR	DESCRIPTION	DATE	DWN	APVD
-		SEE SHEET 1	-	-	-

SCHEDULE

TCPN	CATALOGUE NUMBER	PART DESCRIPTION	PART STATUS
2176640-1	3627453226C1R0M	3627C 453226 1R0 20%	PRODUCTION
2176640-2	3627453226C1R5M	3627C 453226 1R5 20%	PRODUCTION
2176640-3	3627453226C2R2M	3627C 453226 2R2 20%	PRODUCTION
2176640-4	3627453226C3R3M	3627C 453226 3R3 20%	PRODUCTION
2176640-5	3627453226C4R7K	3627C 453226 4R7 10%	PRODUCTION
2176640-6	3627453226C6R8K	3627C 453226 6R8 10%	PRODUCTION
2176640-7	3627453226C100K	3627C 453226 10UH 10%	PRODUCTION
2176640-8	3627453226C150K	3627C 453226 15UH 10%	PRODUCTION
2176640-9	3627453226C220K	3627C 453226 22UH 10%	PRODUCTION
1-2176640-0	3627453226C330K	3627C 453226 33UH 10%	PRODUCTION
1-2176640-1	3627453226C470K	3627C 453226 47UH 10%	PRODUCTION
1-2176640-2	3627453226C680K	3627C 453226 68UH 10%	PRODUCTION
1-2176640-3	3627453226C101K	3627C 453226 100UH 10%	PRODUCTION
1-2176640-4	3627453226C151K	3627C 453226 150UH 10%	PRODUCTION
1-2176640-5	3627453226C221K	3627C 453226 220UH 10%	PRODUCTION
1-2176640-6	3627453226C331K	3627C 453226 330UH 10%	PRODUCTION
1-2176640-7	3627453226C471K	3627C 453226 470UH 10%	PRODUCTION
1-2176640-8	3627453226C102K	3627C 453226 1000UH 10%	PRODUCTION

THIS DRAWING IS A CONTROLLED DOCUMENT.

DIMENSIONS: mm	
	
MATERIAL -	

TOLERANCES UNLESS OTHERWISE SPECIFIED:	
0 PLC	±
1 PLC	±
2 PLC	±
3 PLC	±-
4 PLC	±
ANGLES	±
FINISH	-

DWN	DHEERAJ M	18AUG2023
CHK	TRACY G	18AUG2023
APVD	ALLAN P	18AUG2023
PRODUCT SPEC	-	
APPLICATION SPEC	-	
WEIGHT	-	
CUSTOMER DRAWING		

STE TE Connectivity

NAME: MINIATURE SMD POWER INDUCTOR
TYPE 3627 453226C SERIES

SIZE	CAGE CODE	DRAWING NO	RESTRICTED TO
A3	00779	©=2176640-C	-

SCALE 15:1 SHEET 2 OF 2 REV BA