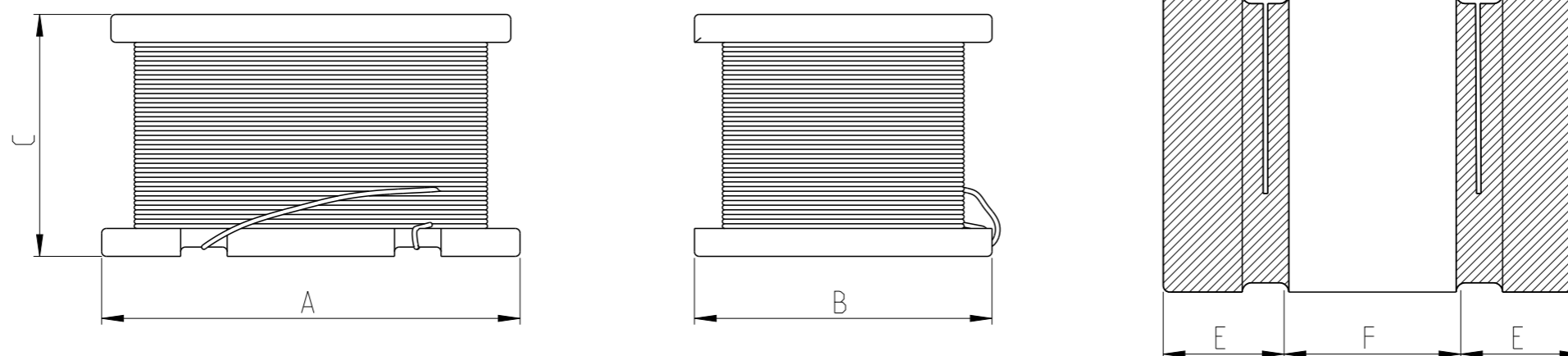


REVISIONS

P	LTR	DESCRIPTION	DATE	DWN	APVD
	BA	NEW DRAWING RELEASE	18AUG2023	DM	AP

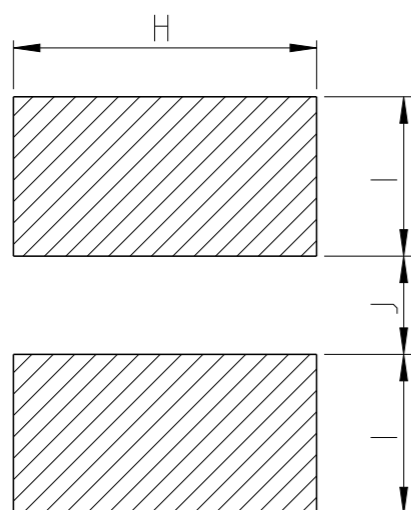
FOR FURTHER INFORMATION SEE DATA SHEET FOR MINIATURE SMD POWER INDUCTOR TYPE 3627 SERIES



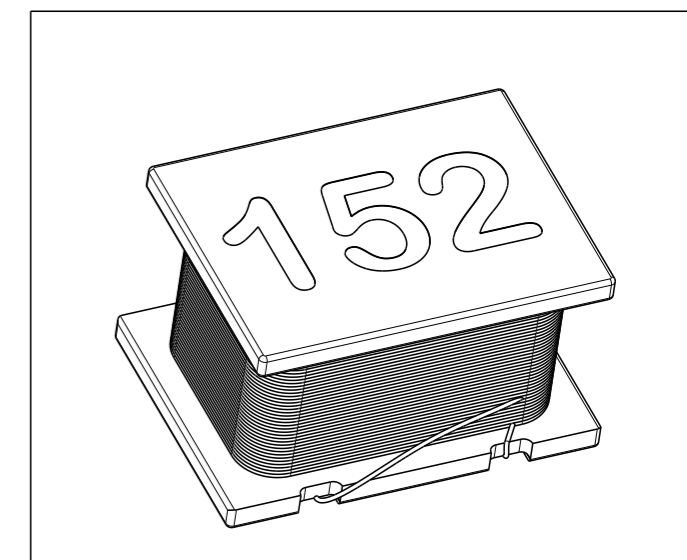
A	B	C	E	F
4.5±0.3	3.2±0.2	2.6±0.4	1.0 min.	1.0 min.

RoHS Compliant

RECOMMENDED LAND PATTERN



H	I	J
3.0	2.0	1.2



THIS DRAWING IS A CONTROLLED DOCUMENT.

DWN	DHEERAJ M	18AUG2023
CHK	TRACY G	18AUG2023
APVD	ALLAN P	18AUG2023
PRODUCT SPEC		
APPLICATION SPEC		
WEIGHT		



MINIATURE SMD POWER INDUCTOR TYPE 3627 453226 SERIES

DIMENSIONS:	TOLERANCES UNLESS OTHERWISE SPECIFIED:
mm	
	0 PLC ±
	1 PLC ±
	2 PLC ±
	3 PLC ±
	4 PLC ±
	ANGLES ±
MATERIAL	FINISH
-	-
-	-

SIZE	CAGE CODE	DRAWING NO	RESTRICTED TO
A3	00779	C=2176637-C	-


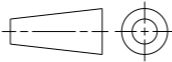
CUSTOMER DRAWING	SCALE	SHEET	REV
	15:1	1 OF 3	BA

REVISIONS

P	LTR	DESCRIPTION	DATE	DWN	APVD
-		SEE SHEET 1	-	-	-

SCHEDULE

TCPN	CATALOGUE NUMBER	PART DESCRIPTION	PART STATUS
2176637-1	36274532261R0M	3627 453226 1R0 20%	PRODUCTION
2176637-2	36274532261R2M	3627 453226 1R2 20%	PRODUCTION
2176637-3	36274532261R5M	3627 453226 1R5 20%	PRODUCTION
2176637-4	36274532261R8M	3627 453226 1R8 20%	PRODUCTION
2176637-5	36274532262R2M	3627 453226 2R2 20%	PRODUCTION
2176637-6	36274532262R7M	3627 453226 2R7 20%	PRODUCTION
2176637-7	36274532263R3M	3627 453226 3R3 20%	PRODUCTION
2176637-8	36274532263R9M	3627 453226 3R9 20%	PRODUCTION
2176637-9	36274532264R7K	3627 453226 4R7 10%	PRODUCTION
1-2176637-0	36274532265R6K	3627 453226 5R6 10%	PRODUCTION
1-2176637-1	36274532265R6M-1	3627 453226 5R6 20% S1	PRODUCTION
1-2176637-2	36274532266R8K	3627 453226 6R8 10%	PRODUCTION
1-2176637-3	36274532268R2K	3627 453226 8R2 10%	PRODUCTION
1-2176637-4	3627453226100K	3627 453226 10UH 10%	PRODUCTION
1-2176637-5	3627453226120K	3627 453226 120UH 10%	PRODUCTION
1-2176637-6	3627453226150K	3627 453226 15UH 10%	PRODUCTION
1-2176637-7	3627453226180K	3627 453226 18UH 10%	PRODUCTION
1-2176637-8	3627453226220K	3627 453226 22UH 10%	PRODUCTION
1-2176637-9	3627453226270K	3627 453226 27UH 10%	PRODUCTION
2-2176637-0	3627453226330K	3627 453226 33UH 10%	PRODUCTION
2-2176637-1	3627453226390K	3627 453226 39UH 10%	PRODUCTION
2-2176637-2	3627453226470K	3627 453226 47UH 10%	PRODUCTION

THIS DRAWING IS A CONTROLLED DOCUMENT.		DWN DHEERAJ M 18AUG2023	 TE Connectivity	
DIMENSIONS: mm		CHK TRACY G 18AUG2023		
		APVD ALLAN P 18AUG2023		
TOLERANCES UNLESS OTHERWISE SPECIFIED:		PRODUCT SPEC	NAME MINIATURE SMD POWER INDUCTOR TYPE 3627 453226 SERIES	
0 PLC ±		-	APPLICATION SPEC	
1 PLC ±		-	-	
2 PLC ±		-	-	
3 PLC ±		-	-	
4 PLC ±		-	-	
ANGLES ±		-	-	
MATERIAL		FINISH	WEIGHT	-
-		-	-	
-		-	-	
CUSTOMER DRAWING			SCALE 15:1	SHEET 2 OF 3
			REV BA	

REVISIONS

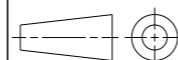
P	LTR	DESCRIPTION	DATE	DWN	APVD
	-	SEE SHEET 1	-	-	-

SCHEDULE

TCPN	CATALOGUE NUMBER	PART DESCRIPTION	PART STATUS
2-2176637-3	3627453226560K	3627 453226 56UH 10%	PRODUCTION
2-2176637-4	3627453226680K	3627 453226 68UH 10%	PRODUCTION
2-2176637-5	3627453226820K	3627 453226 82UH 10%	PRODUCTION
2-2176637-6	3627453226101K	3627 453226 100UH 10%	PRODUCTION
2-2176637-7	3627453226121K	3627 453226 120UH 10%	PRODUCTION
2-2176637-8	3627453226151K	3627 453226 150UH 10%	PRODUCTION
2-2176637-9	3627453226181K	3627 453226 180UH 10%	PRODUCTION
3-2176637-0	3627453226221K	3627 453226 220UH 10%	PRODUCTION
3-2176637-1	3627453226271K	3627 453226 270UH 10%	PRODUCTION
3-2176637-2	3627453226331K	3627 453226 330UH 10%	PRODUCTION
3-2176637-3	3627453226391K	3627 453226 390UH 10%	PRODUCTION
3-2176637-4	3627453226471K	3627 453226 470UH 10%	PRODUCTION
3-2176637-5	3627453226561K	3627 453226 560UH 10%	PRODUCTION
3-2176637-6	3627453226681K	3627 453226 680UH 10%	PRODUCTION
3-2176637-7	3627453226821K	3627 453226 820UH 10%	PRODUCTION
3-2176637-8	3627453226102K	3627 453226 1000UH 10%	PRODUCTION
3-2176637-9	3627453226122K	3627 453226 1200UH 10%	PRODUCTION
4-2176637-0	3627453226152K	3627 453226 1500UH 10%	PRODUCTION
4-2176637-1	3627453226152K-2	3627 453226 1500UH 10% S2	PRODUCTION
4-2176637-2	3627453226182K	3627 453226 1800UH 10%	PRODUCTION
4-2176637-3	3627453226222K	3627 453226 2200UH 10%	PRODUCTION
4-2176637-4	3627453226222K-1	3627 453226 2200UH 10% S1	PRODUCTION

THIS DRAWING IS A CONTROLLED DOCUMENT.

DIMENSIONS:  
mm



MATERIAL

TOLERANCES UNLESS OTHERWISE SPECIFIED:

- 0 PLC ±
- 1 PLC ±
- 2 PLC ±
- 3 PLC ±
- 4 PLC ±
- ANGLES ±
- FINISH -

DWN 18AUG2023

CHK 18AUG2023

APVD 18AUG2023

ALLAN P

PRODUCT SPEC

-

APPLICATION SPEC

-

WEIGHT -

CUSTOMER DRAWING



TE Connectivity

NAME  
MINIATURE SMD POWER INDUCTOR  
TYPE 3627 453226 SERIES

SIZE CAGE CODE DRAWING NO RESTRICTED TO

A3 00779 C=2176637-C -

SCALE 15:1 SHEET 3 OF 3 REV BA