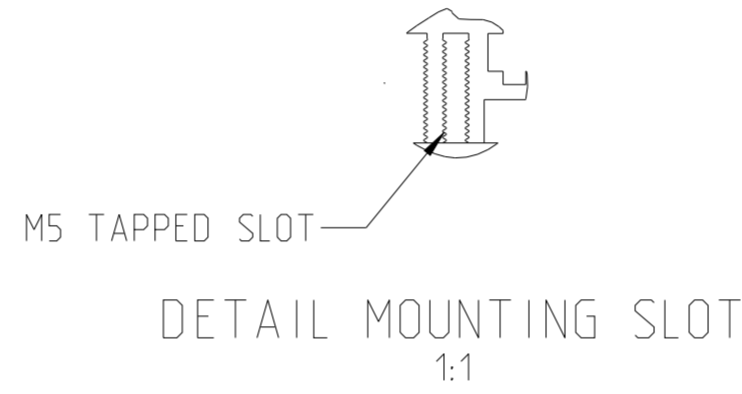
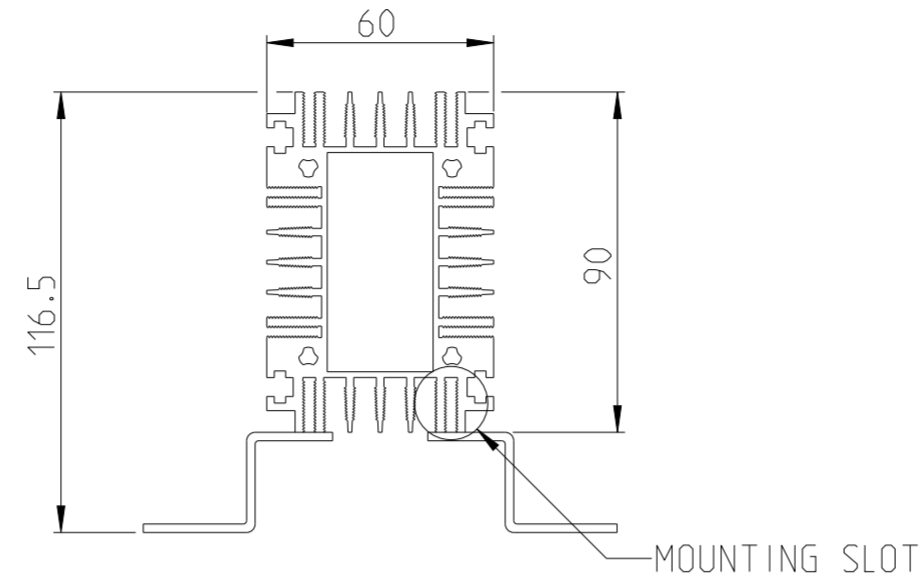
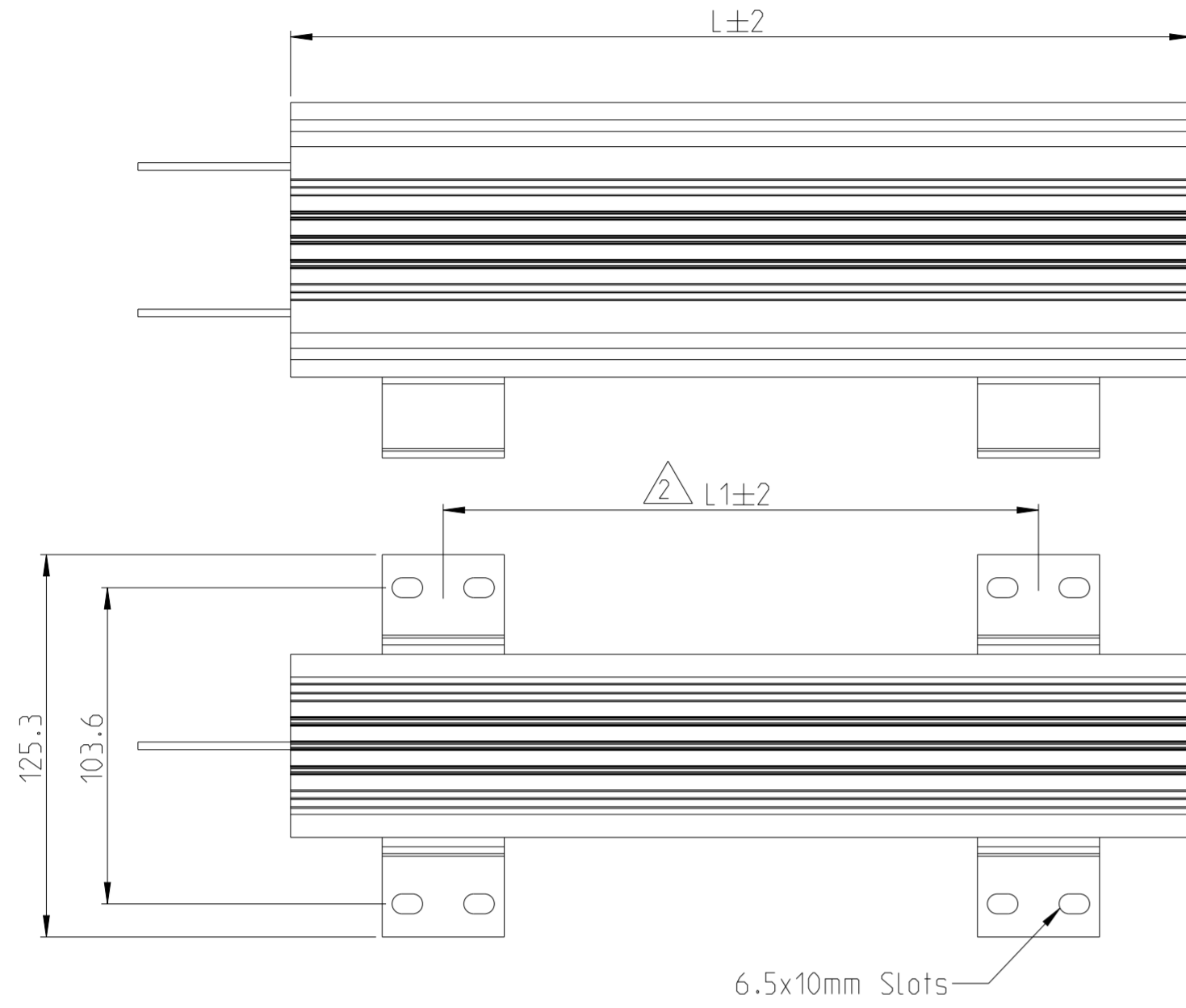


P	LTR	DESCRIPTION	DATE	DWN	APVD
A		INITIAL DRAWING RELEASE	22JUN2023	DM	AP
A1		CHANGE DIMENSION ON MOUNTING FEET	10AUG2023	DM	AP

VERTICAL MOUNTING



DETAIL MOUNTING SLOT
1:1

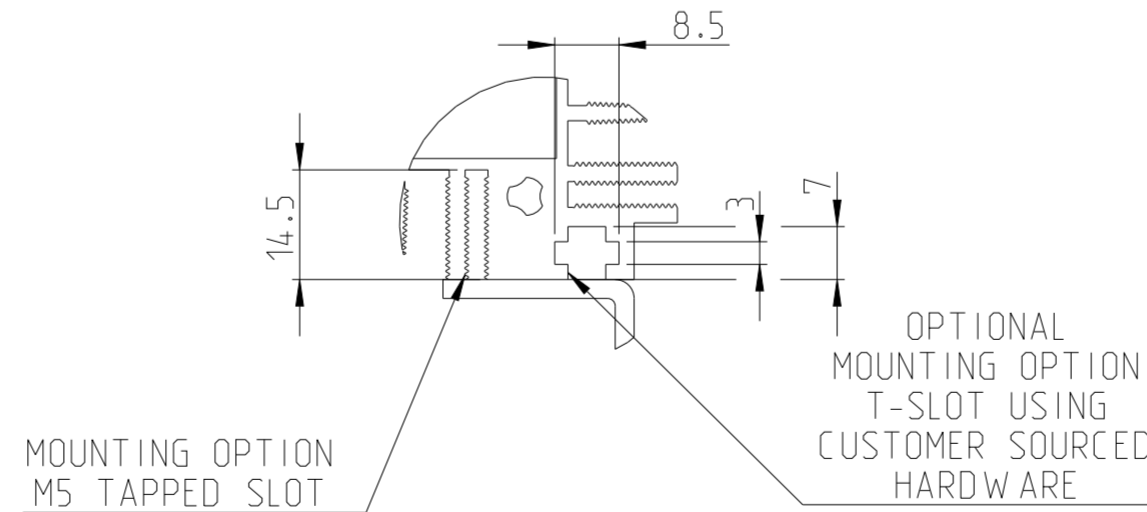
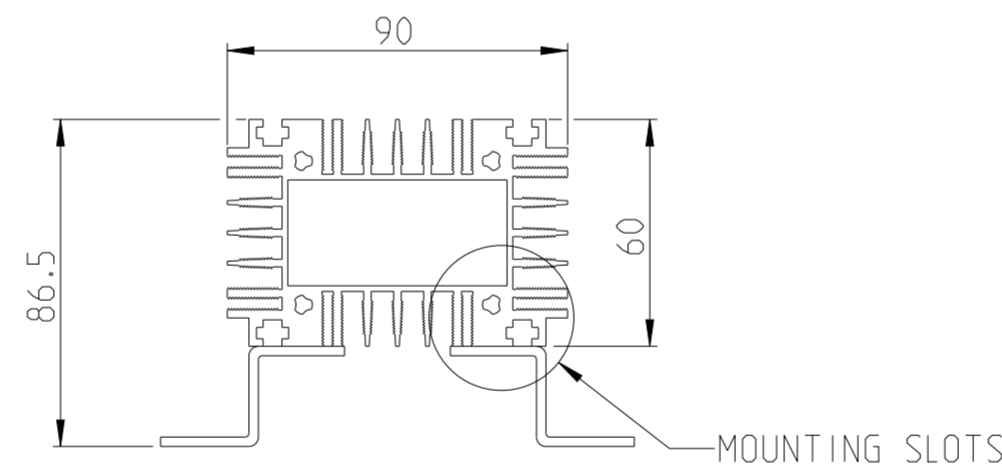
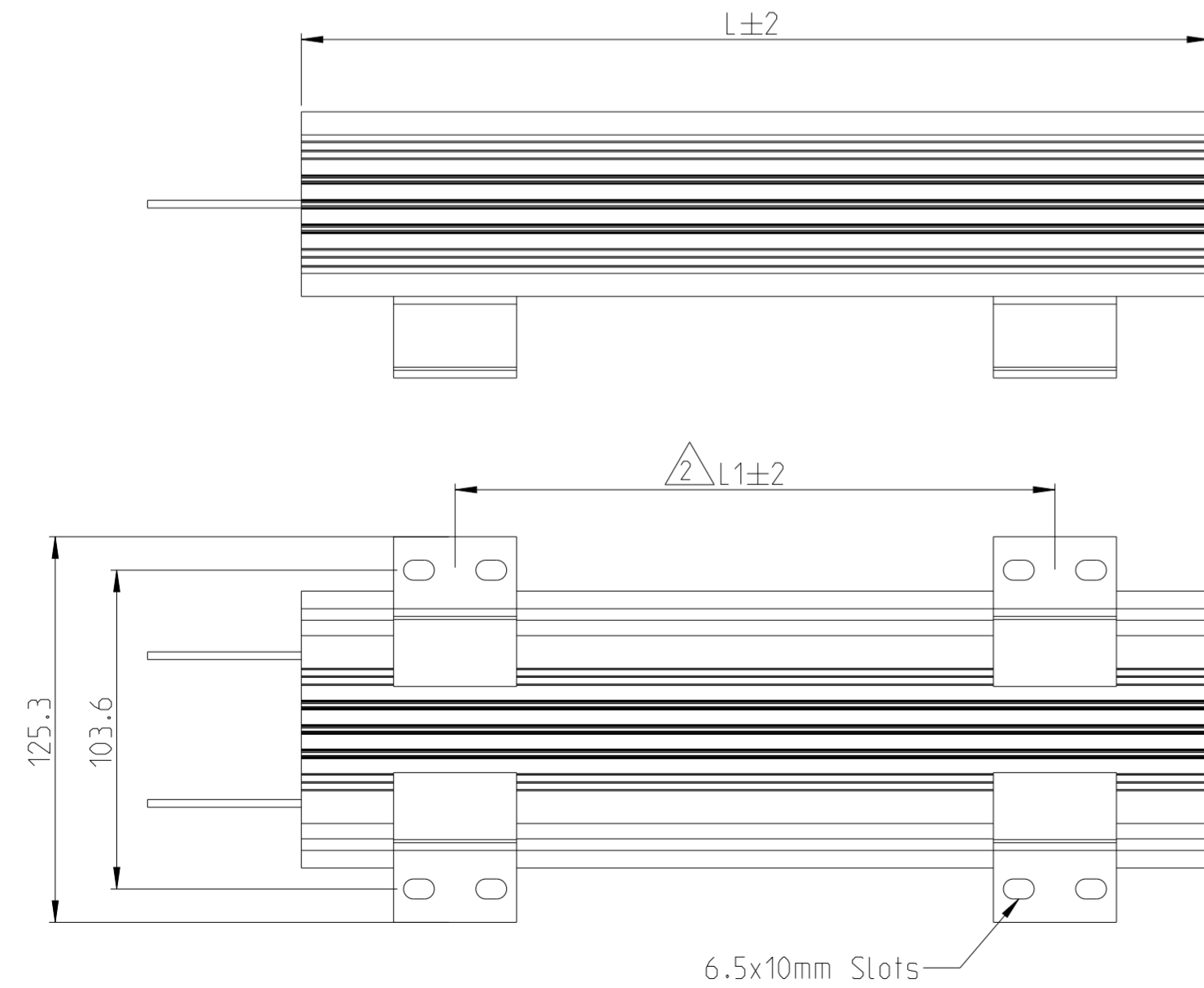
FOR FURTHER INFORMATION SEE DATA SHEET FOR ALUMINIUM HOUSED RESISTORS TYPE CJB SERIES

NOTE:

- 1 4X MOUNTING FEET. M5 SCREWS AND WASHERS ARE SUPPLIED IN A KIT FORM
- 2 THIS DIMENSION CAN BE ADJUSTED, SINCE THREADING IS AVAILABLE ALONG THE LENGTH OF THE RESISTOR

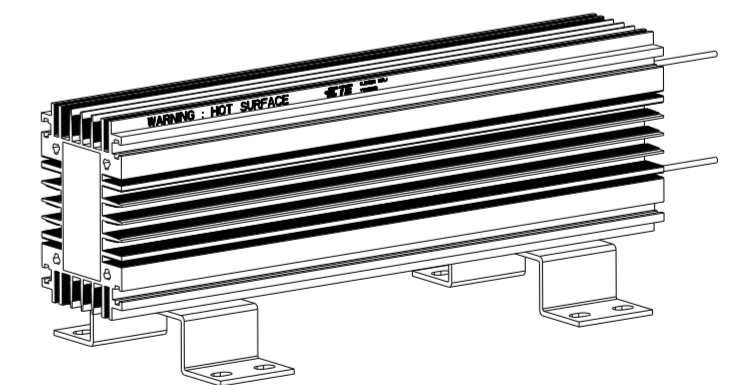
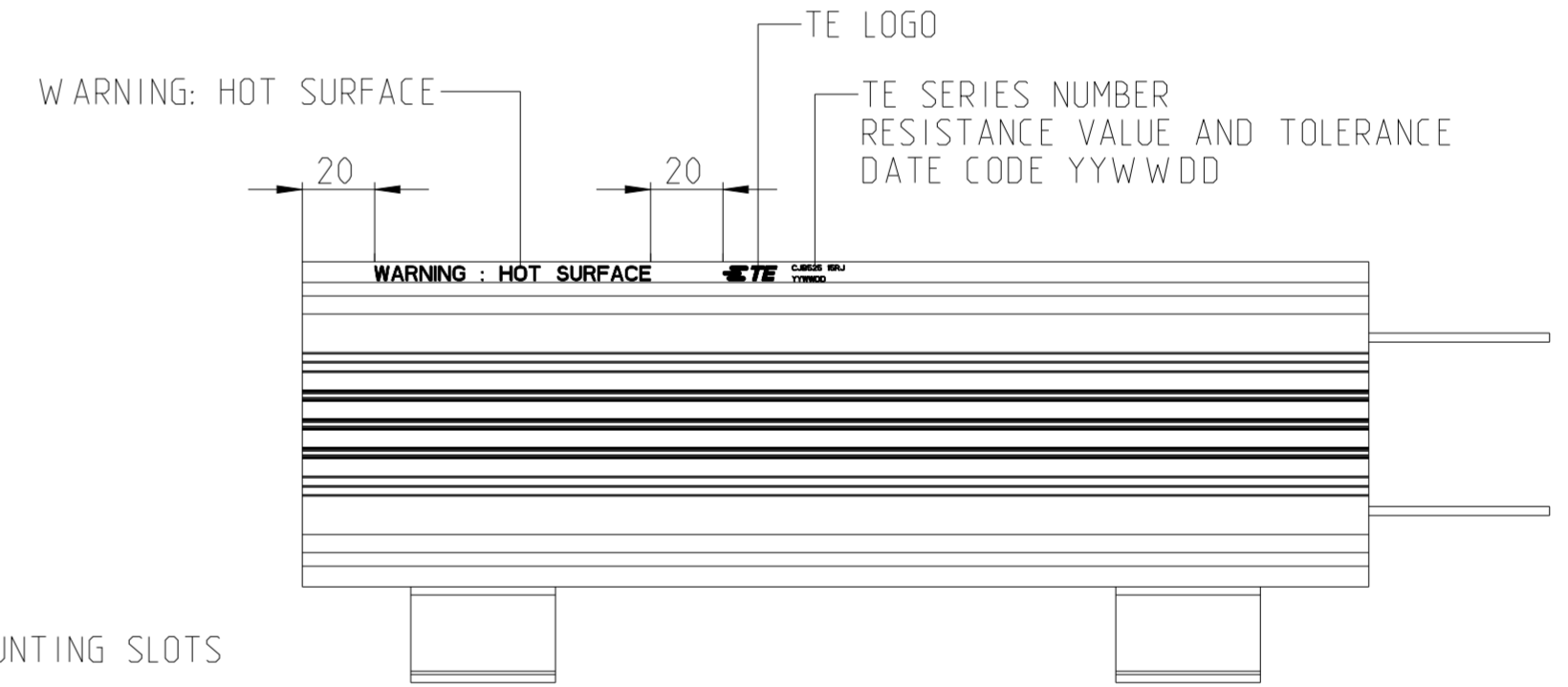
TYPE	POWER RATING (W)	L (mm)	L1 (mm)
CJB525	525	295	195

HORIZONTAL MOUNTING



DETAIL MOUNTING SLOTS
1:1

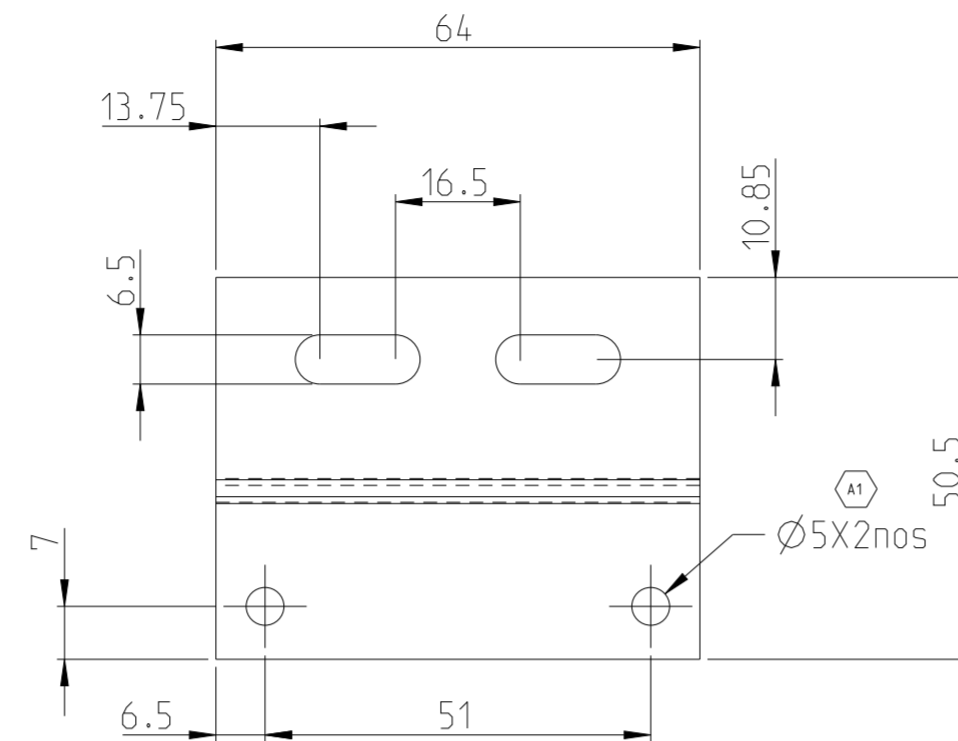
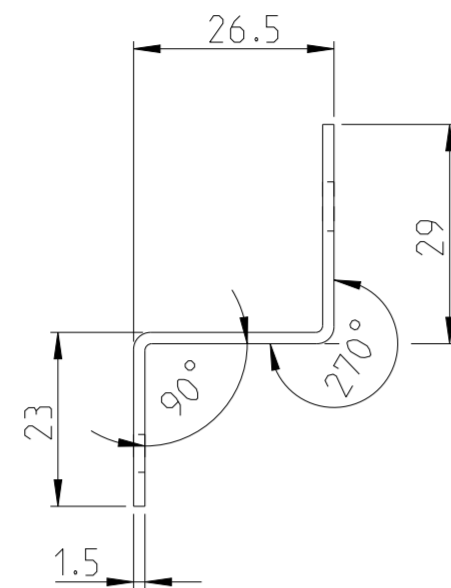
VERTICAL MOUNTING



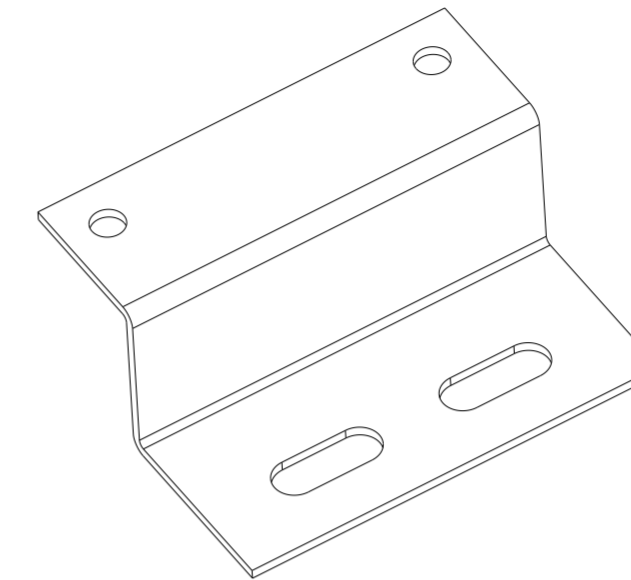
THIS DRAWING IS A CONTROLLED DOCUMENT.		DWN DHEERAJ M 22JUN2023		
		CHK TRACY G 22JUN2023		
DIMENSIONS: mm		APVD ALLAN P 22JUN2023	NAME ALUMINIUM HOUSED RESISTORS TYPE CJB525 SERIES	
TOLERANCES UNLESS OTHERWISE SPECIFIED:		PRODUCT SPEC	RESTRICTED TO	
0 PLC ±		APPLICATION SPEC	SIZE A2	CAGE CODE 00779
1 PLC ±			DRAWING NO C-2176623	SCALE 1:2
2 PLC ±			SHEET 1 OF 2	REV A1
3 PLC ±				
4 PLC ±				
ANGLES ±				
FINISH -				
MATERIAL -				
		CUSTOMER DRAWING		

P	LTR	DESCRIPTION	DATE	DWN	APVD
-	-	SEE SHEET 1	-	-	-

MOUNTING FEET



1:1



TCPN	Catalogue Number	Part Description	Part Status
2176623-1	CJB525J4R7J	CJB 525W 5% 4R7 Lead	Production
2176623-2	CJB525J6R8J	CJB 525W 5% 6R8 Lead	Production
2176623-3	CJB525J10RJ	CJB 525W 5% 10R Lead	Production
2176623-4	CJB525J15RJ	CJB 525W 5% 15R Lead	Production
2176623-5	CJB525J22RJ	CJB 525W 5% 22R Lead	Production
2176623-6	CJB525J33RJ	CJB 525W 5% 33R Lead	Production
2176623-7	CJB525J47RJ	CJB 525W 5% 47R Lead	Production
2176623-8	CJB525J68RJ	CJB 525W 5% 68R Lead	Production
2176623-9	CJB525J100RJ	CJB 525W 5% 100R Lead	Production

THIS DRAWING IS A CONTROLLED DOCUMENT.		DWN DHEERAJ M 22 JUN 2023	TE Connectivity	
DIMENSIONS: mm		CHK TRACY G 22 JUN 2023		
TOLERANCES UNLESS OTHERWISE SPECIFIED:		APVD ALLAN P 22 JUN 2023	NAME ALUMINIUM HOUSED RESISTORS TYPE CJB525 SERIES	
		PRODUCT SPEC	RESTRICTED TO	
MATERIAL		APPLICATION SPEC	SIZE A2	CAGE CODE 00779
FINISH		WEIGHT	DRAWING NO C-2176623	SCALE 1:2
-		CUSTOMER DRAWING	SHEET 2 OF 2	REV A1