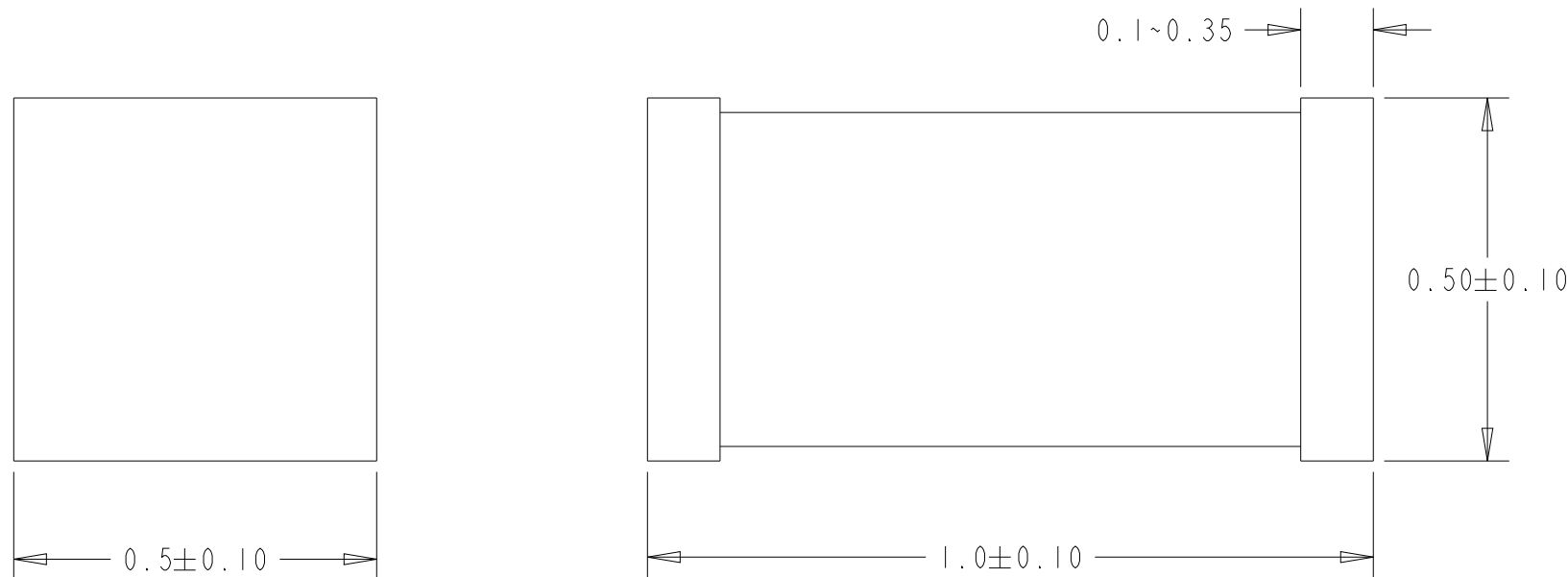


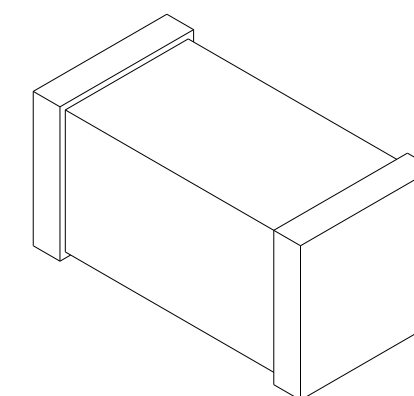
REVISIONS

P	LTR	DESCRIPTION	DATE	DWN	APVD
	A	INITIAL RELEASE	09MAR2022	VK	AP
	A1	NEW PRODUCT INTRODUCTION	05APR2022	DM	AP




FOR FURTHER INFORMATION SEE DATA SHEET OF BMC SERIES

Complete TIN	Product Number	Material Description
2176496-1	BMC1EY0120AG	BMC 0402 120R 25% A MED C
2176496-2	BMC1EY0010AG	BMC 0402 10R 25% A MED C



SCALE 50:1

THIS DRAWING IS A CONTROLLED DOCUMENT.		DWN VINAYAK K	09MAR2022	 TE Connectivity											
DIMENSIONS: mm		CHK ALLAN P	09MAR2022												
TOLERANCES UNLESS OTHERWISE SPECIFIED:		APVD ALLAN P	09MAR2022												
<table border="0"> <tr><td>0 PLC</td><td>±-</td></tr> <tr><td>1 PLC</td><td>±0.5</td></tr> <tr><td>2 PLC</td><td>±0.13</td></tr> <tr><td>3 PLC</td><td>±0.013</td></tr> <tr><td>4 PLC</td><td>±0.0001</td></tr> <tr><td>ANGLES</td><td>±-</td></tr> </table>		0 PLC	±-			1 PLC	±0.5	2 PLC	±0.13	3 PLC	±0.013	4 PLC	±0.0001	ANGLES	±-
0 PLC	±-														
1 PLC	±0.5														
2 PLC	±0.13														
3 PLC	±0.013														
4 PLC	±0.0001														
ANGLES	±-														
MATERIAL -		FINISH -		PRODUCT SPEC -	APPLICATION SPEC -										
-		-		WEIGHT -	SIZE A3										
-		-		CUSTOMER DRAWING	CAGE CODE 00779										
				DRAWING NO C-2176496	RESTRICTED TO -										
				SCALE 100:1	SHEET 1 OF 1										
				REV A1											