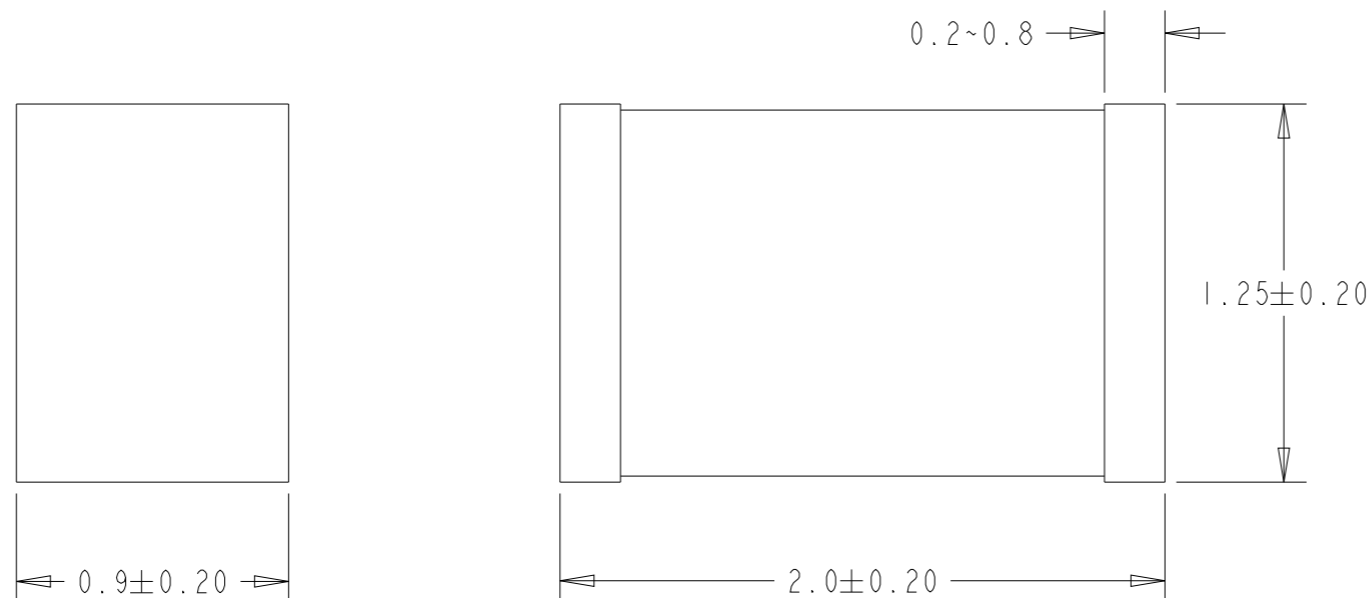


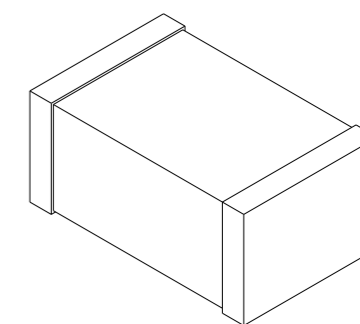
REVISIONS

P	LTR	DESCRIPTION	DATE	DWN	APVD
	A	INITIAL RELEASE	03MAR2022	DM	AP
	A1	NEW PRODUCT INTRODUCTION	05APR2022	DM	AP

FOR FURTHER INFORMATION SEE DATA SHEET OF BMC SERIES



Complete TIN	Product Number	Material Description
2176487-1	BMC2AY0300AG	BMC 0805 300R 25% A Med C
2176487-2	BMC2AY0060AG	BMC 0805 60R 25% A Med C
2176487-3	BMC2AY0080AG	BMC 0805 80R 25% A Med C
2176487-4	BMC2AY0120AG	BMC 0805 120R 25% A Med C
2176487-5	BMC2AY0220AG	BMC 0805 220R 25% A Med C
2176487-6	BMC2AY0030AG	BMC 0805 30R 25% A Med C
2176487-7	BMC2AY0470AG	BMC 0805 470R 25% A Med C
2176487-8	BMC2AY0600AG	BMC 0805 600R 25% A Med C



SCALE 20:1

THIS DRAWING IS A CONTROLLED DOCUMENT.		DWN DHEERAJ M	03MAR2022		
		CHK ALLAN P	03MAR2022		
DIMENSIONS: mm		APVD ALLAN P	03MAR2022	NAME Multilayer Ferrite Beads Type BMC0805 AG configuration	
		PRODUCT SPEC	-	RESTRICTED TO	
TOLERANCES UNLESS OTHERWISE SPECIFIED:		APPLICATION SPEC	-	SIZE A3	CAGE CODE 00779
0 PLC ±-		WEIGHT	-	DRAWING NO C=2176487	SCALE 40:1
1 PLC ±0.5		CUSTOMER DRAWING		SHEET 1	OF 1
2 PLC ±0.13				REV A1	
3 PLC ±0.013					
4 PLC ±0.0001					
ANGLES ±-					
MATERIAL					
FINISH					
-					
-					