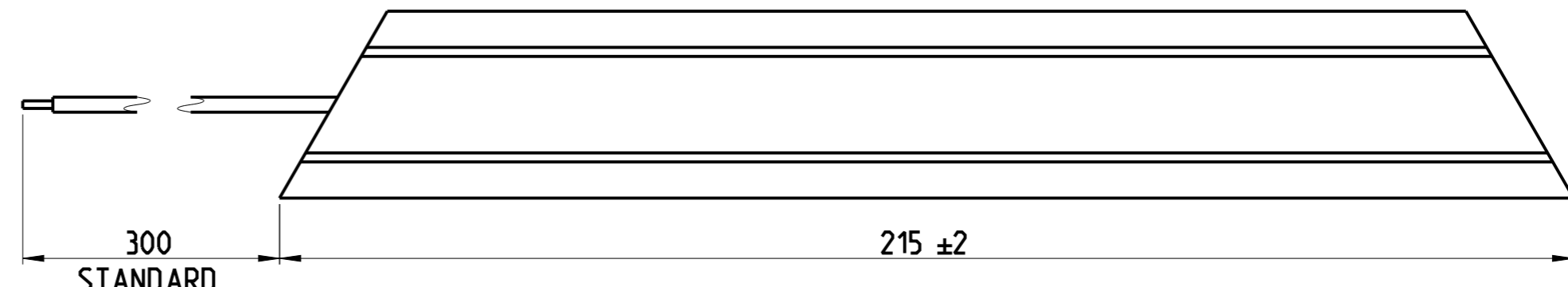
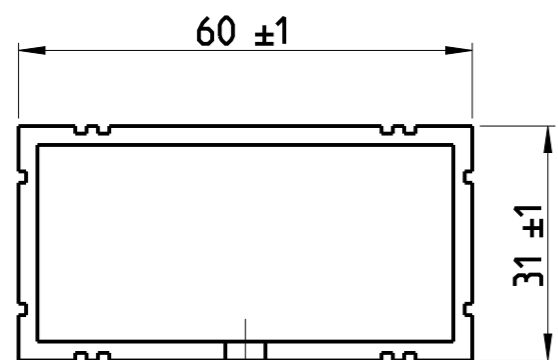
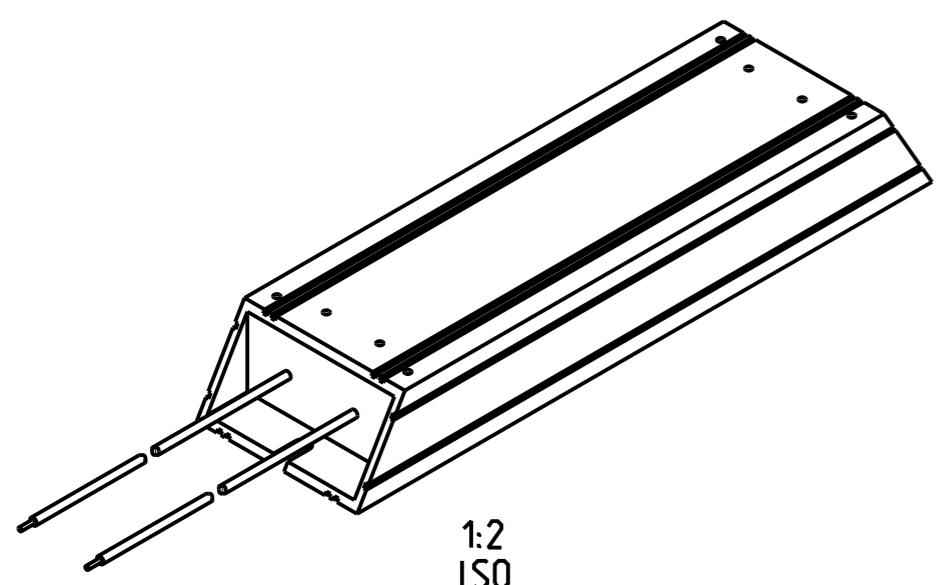
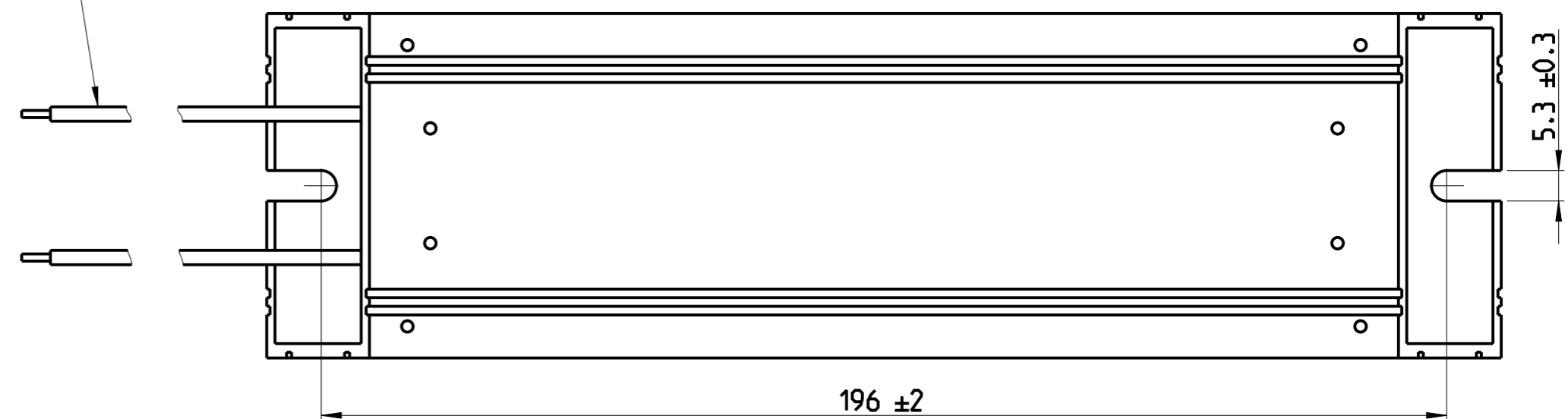


REVISIONS

P	LTR	DESCRIPTION	DATE	DWN	APVD
A		INITIAL RELEASE	06FEB2021	SR	AP



PTFE INSULATED CABLE



1:2
ISO



THIS DRAWING IS A CONTROLLED DOCUMENT.		DWN SUPREETH R 06FEB2021		
		CHK A. PILE 06FEB2021		
		APVD A. PILE 06FEB2021	NAME Aluminium Housed Breaking Resistor Type HCH215	
DIMENSIONS: mm		PRODUCT SPEC -	RESTRICTED TO -	
TOLERANCES UNLESS OTHERWISE SPECIFIED:		APPLICATION SPEC -		
0 PLC ±		WEIGHT -	SIZE A3	
1 PLC ±		CAGE CODE 00779		
2 PLC ±		DRAWING NO C-2176464		
3 PLC ±				
4 PLC ±				
ANGLES ±				
MATERIAL -		SCALE 1:1		
FINISH -		SHEET 1 OF 2		
		REV A		
		CUSTOMER DRAWING		

REVISIONS

P	LTR	DESCRIPTION	DATE	DWN	APVD
-		SEE SHEET 1	-	-	-

SCHEDULE

TCPN	PRODUCT NUMBER	MATERIAL DESCRIPTION	LEAD LENGTH
2176464-1	HCH215J6R8J	HCH215 300W 6R8 5% LEAD	300mm
2176464-2	HCH215J10RJ	HCH215 300W 10R 5% LEAD	300mm
2176464-3	HCH215J22RJ	HCH215 300W 22R 5% LEAD	300mm
2176464-4	HCH215J33RJ	HCH215 300W 33R 5% LEAD	300mm
2176464-5	HCH215J47RJ	HCH215 300W 47R 5% LEAD	300mm
2176464-6	HCH215J68RJ	HCH215 300W 68R 5% LEAD	300mm
2176464-7	HCH215J82RJ	HCH215 300W 82R 5% LEAD	300mm
2176464-8	HCH215J100RJ	HCH215 300W 100R 5% LEAD	300mm
2176464-9	HCH215J220RJ	HCH215 300W 220R 5% LEAD	300mm

THIS DRAWING IS A CONTROLLED DOCUMENT.		DWN SUPREETH R 06FEB2021			
DIMENSIONS: mm		CHK A. PILE 06FEB2021			
		APVD A. PILE 06FEB2021	NAME Aluminium Housed Breaking Resistor Type HCH215		
TOLERANCES UNLESS OTHERWISE SPECIFIED: 0 PLC ± 1 PLC ± 2 PLC ± 3 PLC ± 4 PLC ± ANGLES ±		PRODUCT SPEC -	RESTRICTED TO -		
MATERIAL -		APPLICATION SPEC -	SIZE A3	CAGE CODE 00779	DRAWING NO C-2176464
FINISH -		WEIGHT -	SCALE 1:1		SHEET 2 OF 2
		CUSTOMER DRAWING		REV A	