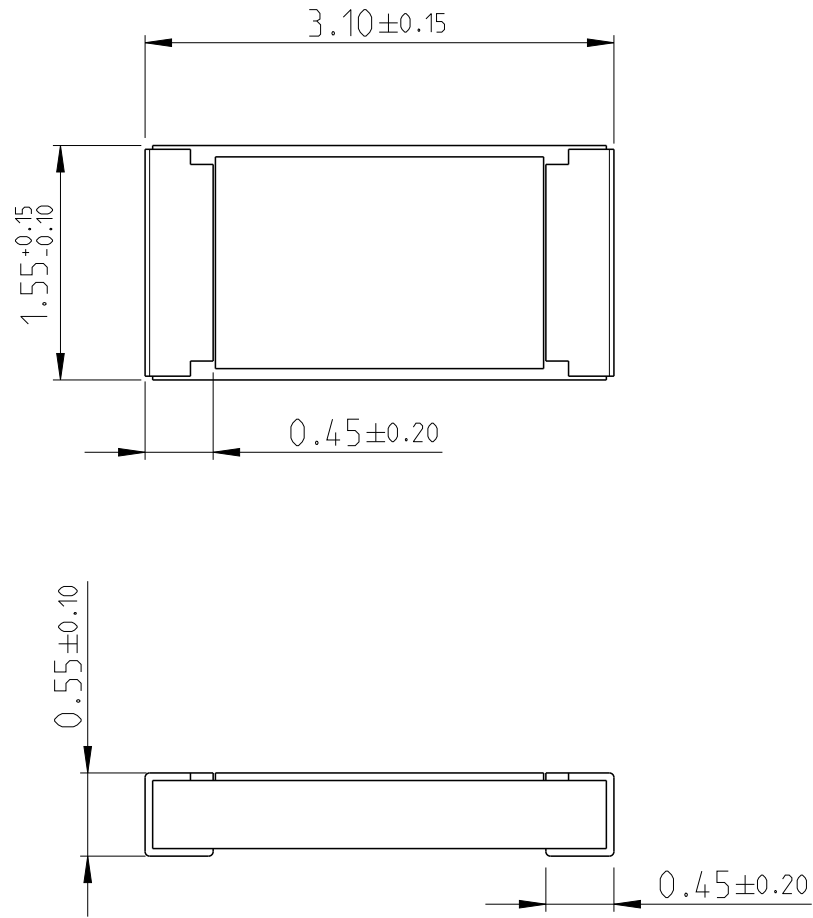
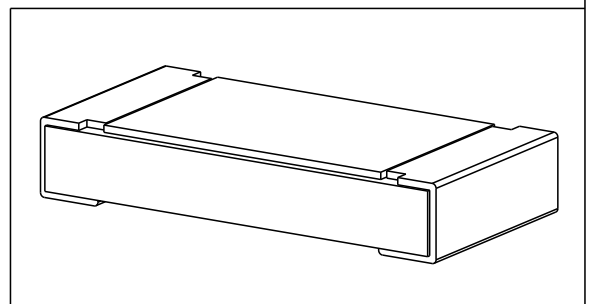


LOC	DIST	REVISIONS					
-	-	P	LTR	DESCRIPTION	DATE	DWN	APVD
		BA		INITIAL RELEASE	25SEP2019	SR	AP



FOR FURTHER INFORMATION SEE PRODUCT SPECIFICATION FOR CRGH SERIES

RoHS Compliant



20


RELEASED FOR PUBLICATION

ALL RIGHTS RESERVED.

BY -

© COPYRIGHT 20

THIS DRAWING IS UNPUBLISHED.

DIMENSIONS: mm	DWN	25SEP2019	MATERIAL	-	FINISH	-							
	SUPREETH R												
TOLERANCES UNLESS OTHERWISE SPECIFIED:	CHK	25SEP2019	 TE Connectivity										
	ALLAN P												
	APVD		NAME	SMD POWER RESISTORS - TYPE CRGH1206 SERIES									
	PRODUCT SPEC	-	SIZE	CAGE CODE	DRAWING NO	RESTRICTED TO							
0 PLC ±	APPLICATION SPEC	-	A 4	00779	©=2176437	-							
1 PLC ±	WEIGHT	-	CUSTOMER DRAWING			SCALE	20:1	SHEET	1	OF	1	REV	BA
2 PLC ±													
3 PLC ±													
4 PLC ±													
ANGLES ±													

