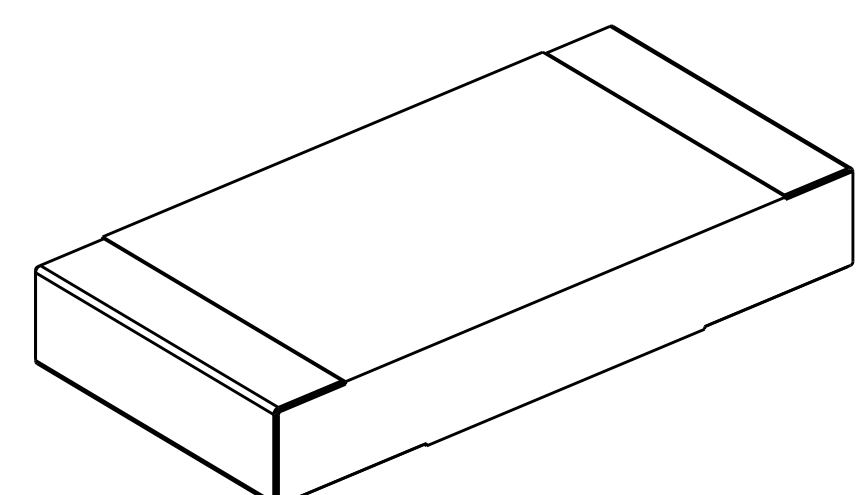
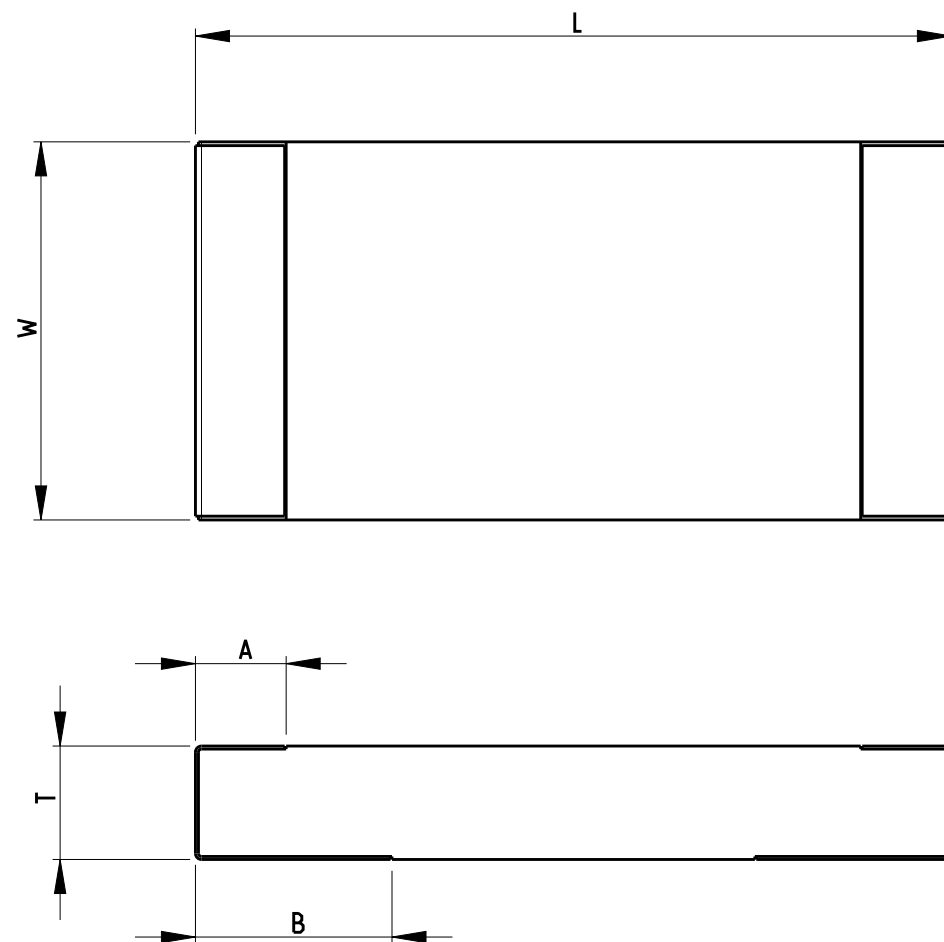


P	LTR	DESCRIPTION	DATE	DWN	APVD
	A	INITIAL RELEASE	12APR2019	SR	AP

Complete TIN	Product Number	Material Description	Resistance (mΩ)	L	W	T	A	B	Weight (g) (1000 pcs)
2176424-1	TLRF2H10ER005FTE	TLRF 2010 1.0W R005 1% 100PPM 4K RL	5	5.00±0.20	2.50±0.20	0.75±0.20	0.60±0.30	1.30±0.30	42.3
2176424-2	TLRF2H10ER006FTE	TLRF 2010 1.0W R006 1% 100PPM 4K RL	6	5.00±0.20	2.50±0.20	0.75±0.15	0.60±0.30	0.80±0.30	42.3
2176424-3	TLRF2H10DR010FTE	TLRF 2010 1.0W R010 1% 50PPM 4K RL	10	5.00±0.20	2.50±0.20	0.75±0.15	0.60±0.30	0.80±0.30	42.3
2176424-4	TLRF2H10DR015FTE	TLRF 2010 1.0W R015 1% 50PPM 4K RL	15	5.00±0.20	2.50±0.20	0.75±0.15	0.60±0.30	0.80±0.30	42.3
2176424-5	TLRF2H10DR020FTE	TLRF 2010 1.0W R020 1% 50PPM 4K RL	20	5.00±0.20	2.50±0.20	0.75±0.15	0.60±0.30	0.80±0.30	42.3

FOR FURTHER INFORMATION SEE DATA SHEET FOR TLRf SERIES-SMD HIGH POWER CURRENT SENSE RESISTORS



RoHS Compliant

THIS DRAWING IS A CONTROLLED DOCUMENT.		DWN SUPREETH R 12APR2019		
		CHK A. PILE 12APR2019		
		APVD A. PILE 12APR2019	NAME SMD HIGH POWER - CURRENT SENSE RESISTORS, SERIES TLRf - 2H	
DIMENSIONS: mm		PRODUCT SPEC -	-	
TOLERANCES UNLESS OTHERWISE SPECIFIED:		APPLICATION SPEC -	-	
0 PLC ±0.2		WEIGHT -	-	
1 PLC ±0.1		SIZE A3 CAGE CODE 00779 DRAWING NO C-2176424 RESTRICTED TO -		
2 PLC ±		SCALE 20:1 SHEET 1 OF 1 REV A		
3 PLC ±				
4 PLC ±				
ANGLES ±5°				
MATERIAL -		CUSTOMER DRAWING		
FINISH -				