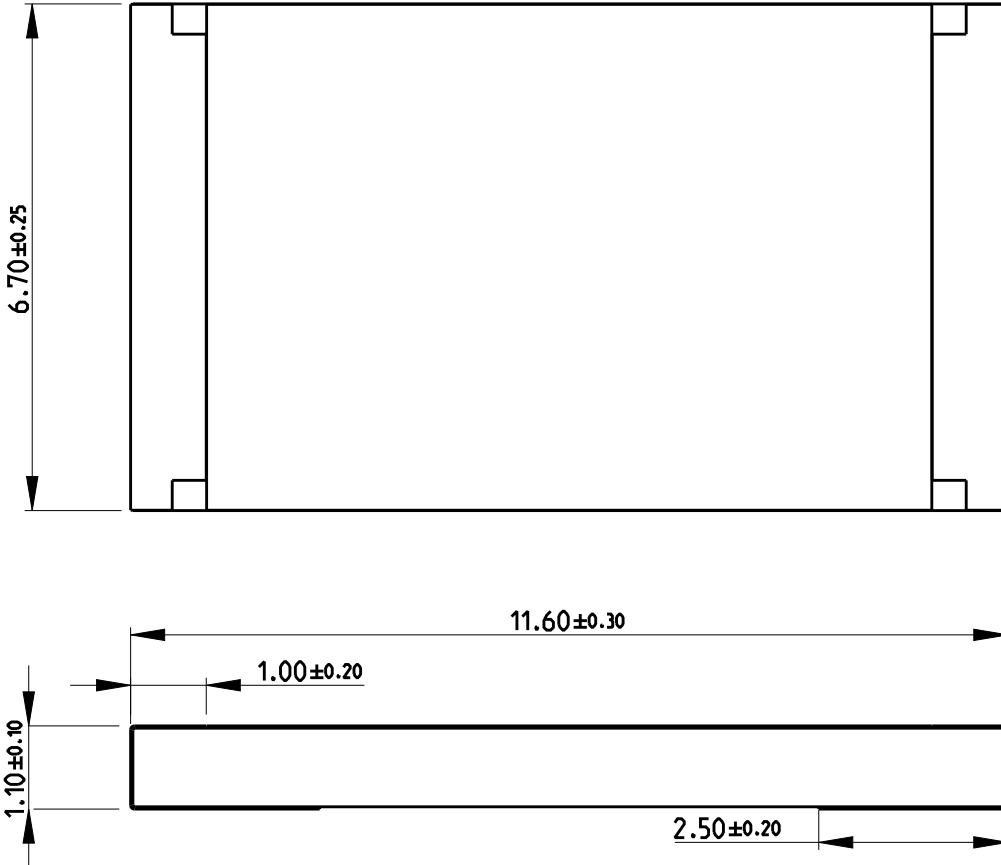


REVISIONS

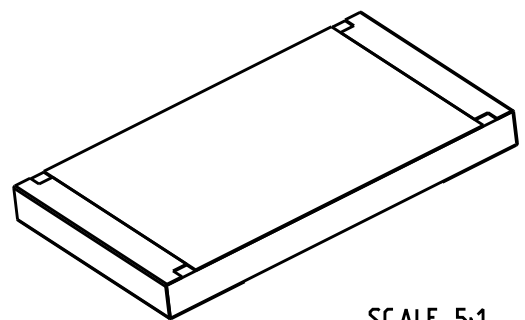
P	LTR	DESCRIPTION	DATE	DWN	APVD
A		NEW DRAWING	230CT2018	SR	AP



NOTES:

- FOR FURTHER INFORMATION SEE DATA SHEET FOR 3560 SERIES SMD HIGH POWER RESISTOR

RoHS Compliant




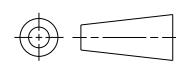
SCALE 5:1

RELEASED FOR PUBLICATION

ALL RIGHTS RESERVED.

THIS DRAWING IS UNPUBLISHED.

© COPYRIGHT copyright_date BY -

DIMENSIONS:		DWN	230CT2018	MATERIAL	-	FINISH	-
mm		SUPREETH R		 TE Connectivity			
TOLERANCES UNLESS OTHERWISE SPECIFIED:		CHK	230CT2018				
0 PLC	±0.5	APVD	230CT2018	NAME SMD HIGH POWER RESISTOR TYPE 3560 SERIES			
1 PLC	±0.2	ALLAN.P					
2 PLC	±0.1	PRODUCT SPEC	-	SIZE	CAGE CODE	DRAWING NO	RESTRICTED TO
3 PLC	±	APPLICATION SPEC	-	A4	00779	C-2176407	-
4 PLC	±	WEIGHT	-	CUSTOMER DRAWING			SCALE
ANGLES	±5°						10:1
				SHEET		1 OF 1	
						REV A	