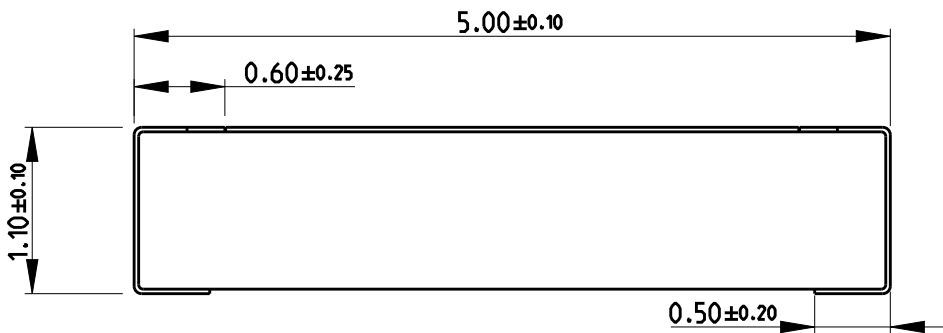
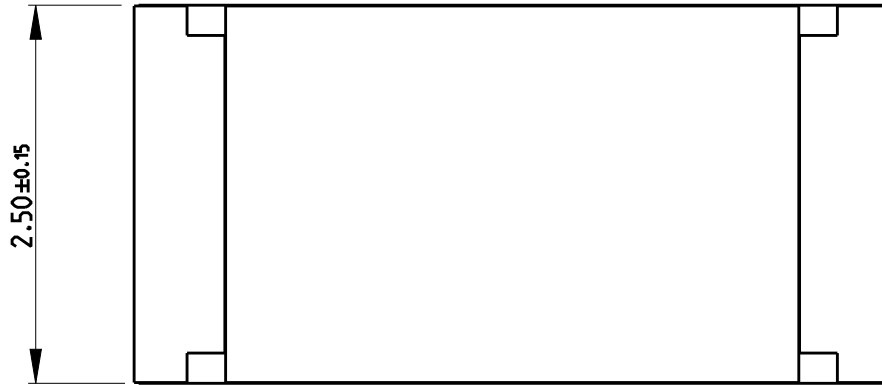


REVISIONS

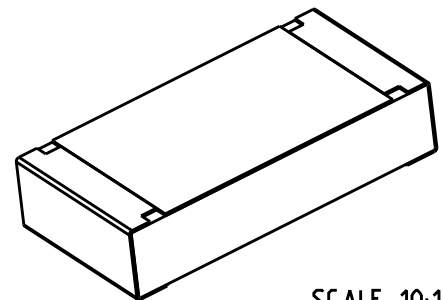
P	LTR	DESCRIPTION	DATE	DWN	APVD
	A	NEW DRAWING	230CT2018	SR	AP



NOTES:

- FOR FURTHER INFORMATION SEE DATA SHEET FOR 3502 SERIES SMD HIGH POWER RESISTOR

RoHS Compliant




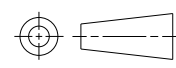
SCALE 10:1

RELEASED FOR PUBLICATION

ALL RIGHTS RESERVED.

THIS DRAWING IS UNPUBLISHED.

© COPYRIGHT copyright_date BY -

DIMENSIONS: mm		DWN SUPREETH R 230CT2018	MATERIAL -	FINISH -
TOLERANCES UNLESS OTHERWISE SPECIFIED:		CHK ALLAN.P 230CT2018	 TE Connectivity	
0 PLC ±0.5		APVD ALLAN.P 230CT2018		
1 PLC ±0.2		PRODUCT SPEC -	NAME SMD HIGH POWER RESISTOR TYPE	
2 PLC ±0.1		APPLICATION SPEC -	3502 SERIES	
3 PLC ±		WEIGHT -	SIZE A4	CAGE CODE 00779
4 PLC ±			DRAWING NO C-2176398	RESTRICTED TO -
ANGLES 5°			SCALE 20:1	SHEET 1 OF 1
		CUSTOMER DRAWING		REV A