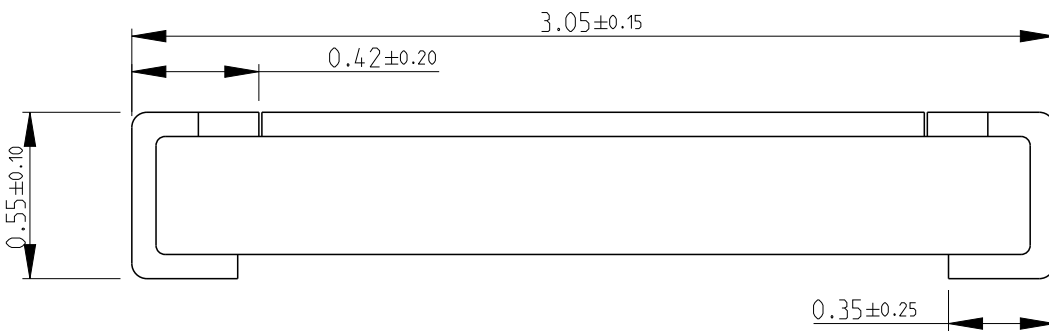


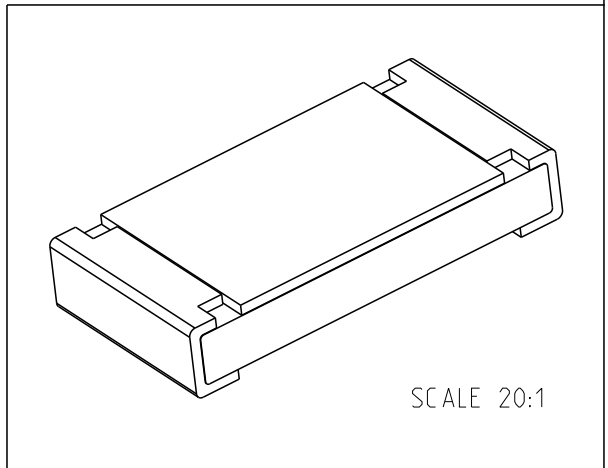
REVISIONS					
P	LTR	DESCRIPTION	DATE	DWN	APVD
	A	NEW DRAWING	21MAY2018	GCM	AP
	B	ECR-20-007413	28MAY2020	SR	AP



NOTES:

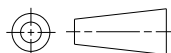
- FOR FURTHER INFORMATION SEE DATA SHEET FOR RQ73 SERIES AEC-Q200 THIN FILM PRECISION RESISTORS.

RoHS Compliant

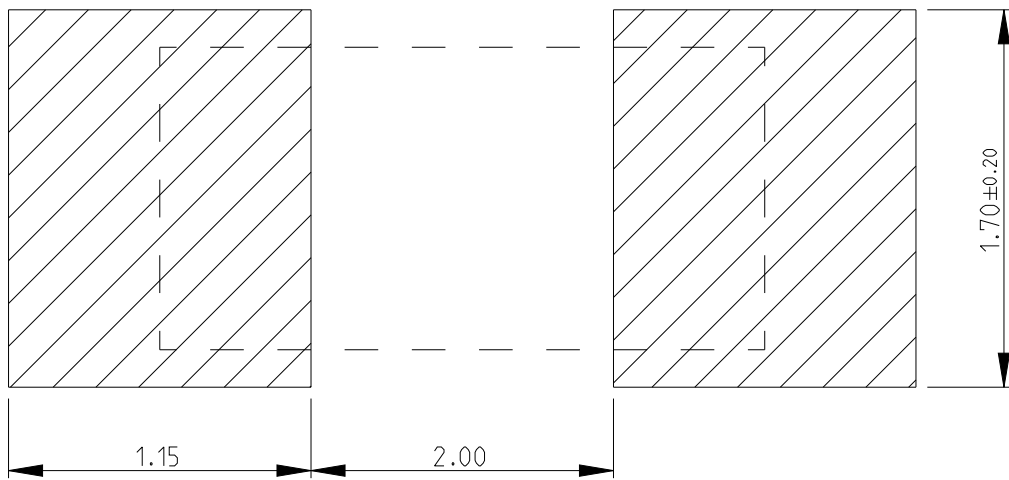


© 2020 TE Connectivity. All Rights Reserved.

DIMENSIONS: mm	DWN GANESH C M	21MAY2018	MATERIAL	-	FINISH	-
	CHK ALLAN.P	21MAY2018				
TOLERANCES UNLESS OTHERWISE SPECIFIED:	APVD ALLAN.P	21MAY2018				
	0 PLC ±0.5	PRODUCT SPEC	NAME	SMD Thin Film Precision Resistors - AEC-Q200 Compliant - Type RQ73 1206 Series		
1 PLC ±0.2	APPLICATION SPEC	SIZE	CAGE CODE	DRAWING NO	RESTRICTED TO	
2 PLC ±0.1		A 4	00779	C=2176389		
3 PLC ±		CUSTOMER DRAWING				
4 PLC ±	WEIGHT	-	SCALE	40:1	SHEET 1 OF 2	REV B
ANGLES 5°						


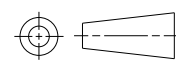


REVISIONS					
P	LTR	DESCRIPTION	DATE	DWN	APVD
-		SEE SHEET 1	-	-	-



RECOMMENDED LAND PATTERN

© 2020 TE Connectivity. All Rights Reserved.

DIMENSIONS: mm		DWN GANESH C M	21MAY2018	MATERIAL	-	FINISH	-
TOLERANCES UNLESS OTHERWISE SPECIFIED:		CHK ALLAN.P	21MAY2018	 TE Connectivity			
		APVD ALLAN.P	21MAY2018				
0 PLC ±0.5		PRODUCT SPEC		NAME SMD Thin Film Precision Resistors - AEC-Q200 Compliant - Type RQ73 1206 Series			
1 PLC ±0.2		-					
2 PLC ±0.1		APPLICATION SPEC		SIZE	CAGE CODE	DRAWING NO	RESTRICTED TO
3 PLC ±		-		A 4	00779	C=2176389	
4 PLC ±		WEIGHT					
ANGLES 45°		-					
		CUSTOMER DRAWING		SCALE	NTS	SHEET	2 OF 2
						REV	B