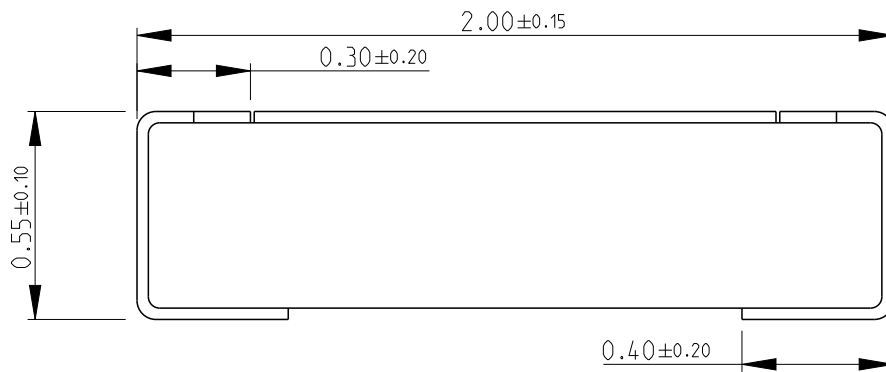
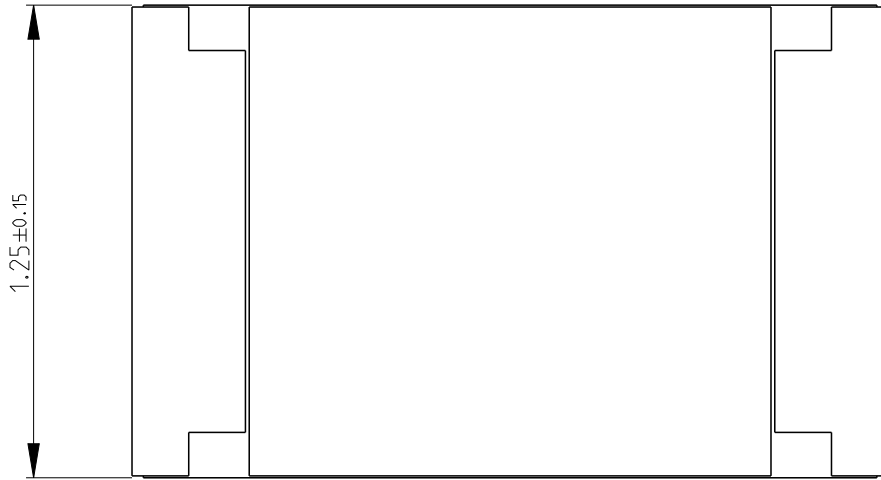


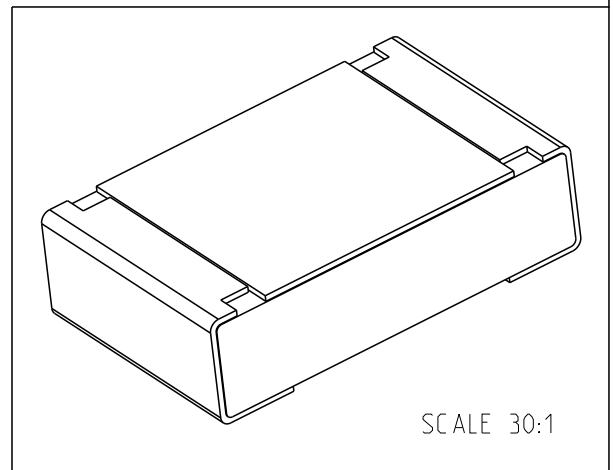
REVISIONS					
P	LTR	DESCRIPTION	DATE	DWN	APVD
	A	NEW DRAWING	21MAY2018	GCM	AP
	B	ECR-20-007393	28MAY2020	SR	AP



NOTES:

- FOR FURTHER INFORMATION SEE DATA SHEET FOR RQ73 SERIES AEC-Q200 THIN FILM PRECISION RESISTORS.

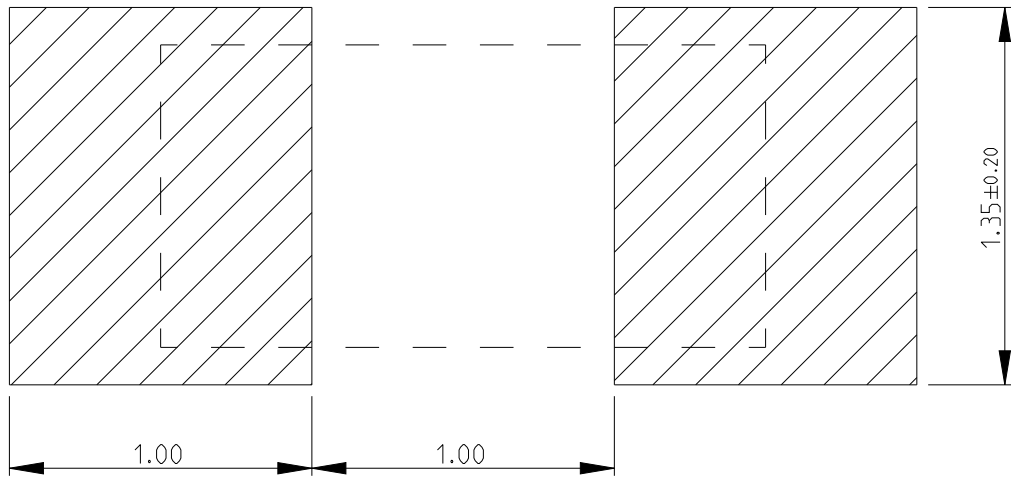
RoHS Compliant



© 2020 TE Connectivity. All Rights Reserved.


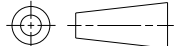
DIMENSIONS: mm		DWN GANESH C M	21MAY2018	MATERIAL	-	FINISH	-
TOLERANCES UNLESS OTHERWISE SPECIFIED:		CHK ALLAN.P	21MAY2018				
		APVD ALLAN.P	21MAY2018				
0 PLC ±0.5		PRODUCT SPEC		NAME SMD Thin Film Precision Resistors - AEC-Q200 Compliant - Type RQ73 0805 Series			
1 PLC ±0.2		APPLICATION SPEC					
2 PLC ±0.1		WEIGHT		SIZE	CAGE CODE	DRAWING NO	RESTRICTED TO
3 PLC ±		-		A 4	00779	©-2176378	
4 PLC ±		-		CUSTOMER DRAWING			
ANGLES 5°		-		SCALE	50:1	SHEET	1 OF 2
		-		REV B			

REVISIONS					
P	LTR	DESCRIPTION	DATE	DWN	APVD
-		SEE SHEET 1	-	-	-



RECOMMENDED LAND PATTERN

© 2020 TE Connectivity. All Rights Reserved.

DIMENSIONS: mm		DWN GANESH C M 21MAY2018	MATERIAL -	FINISH -	
TOLERANCES UNLESS OTHERWISE SPECIFIED: 0 PLC ±0.5 1 PLC ±0.2 2 PLC ±0.1 3 PLC ± 4 PLC ± ANGLES ±5°		CHK ALLAN.P 21MAY2018	 TE Connectivity		
		APVD ALLAN.P 21MAY2018			
		PRODUCT SPEC -	NAME SMD Thin Film Precision Resistors - AEC-Q200 Compliant - Type RQ73 0805 Series		
		APPLICATION SPEC -	SIZE A 4	CAGE CODE 00779	DRAWING NO C=2176378
		WEIGHT -	CUSTOMER DRAWING		
			SCALE NTS	SHEET 2 OF 2	REV B