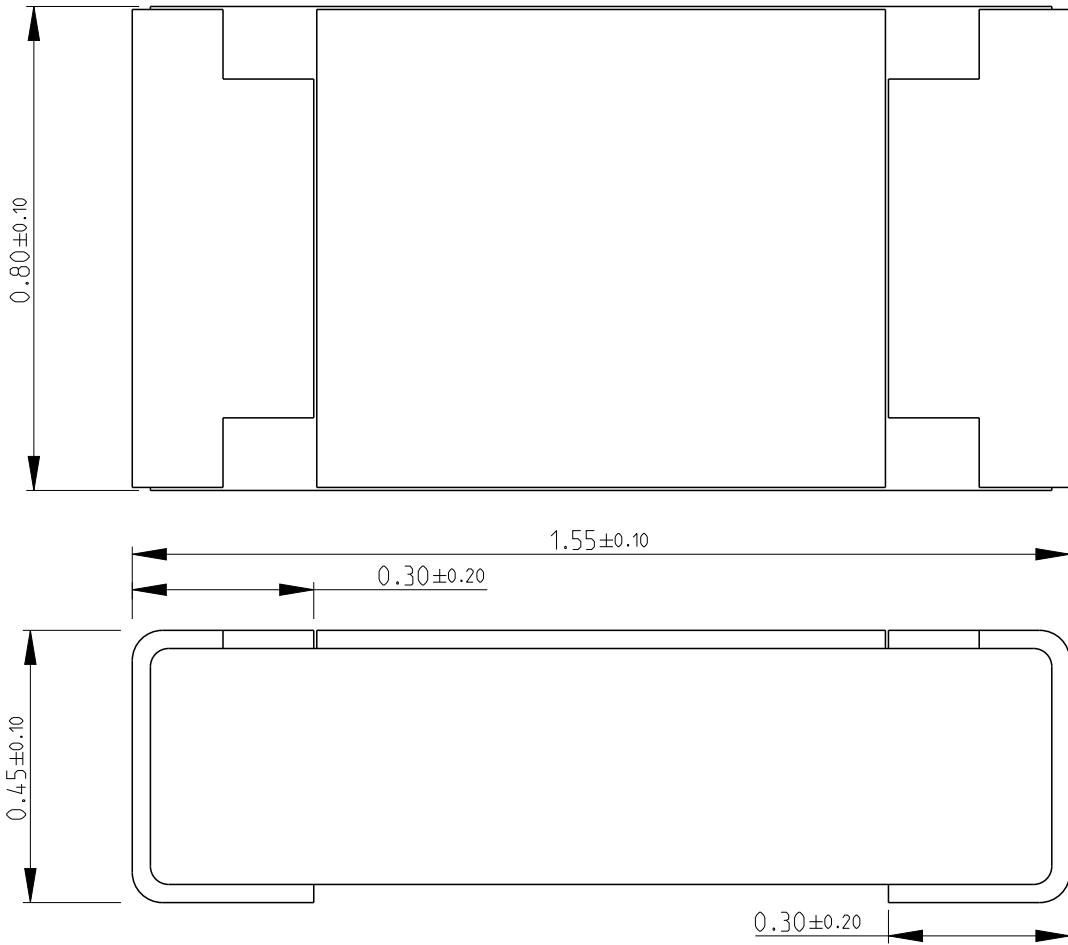


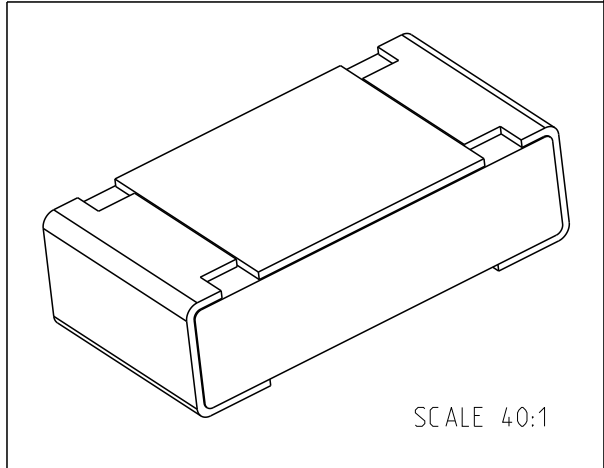
REVISIONS					
P	LTR	DESCRIPTION	DATE	DWN	APVD
	A	NEW DRAWING	21MAY2018	GCM	AP
	B	ECR-20-007392	28MAY2020	SR	AP



NOTES:

- FOR FURTHER INFORMATION SEE DATA SHEET FOR RQ73 SERIES AEC-Q200 THIN FILM PRECISION RESISTORS.

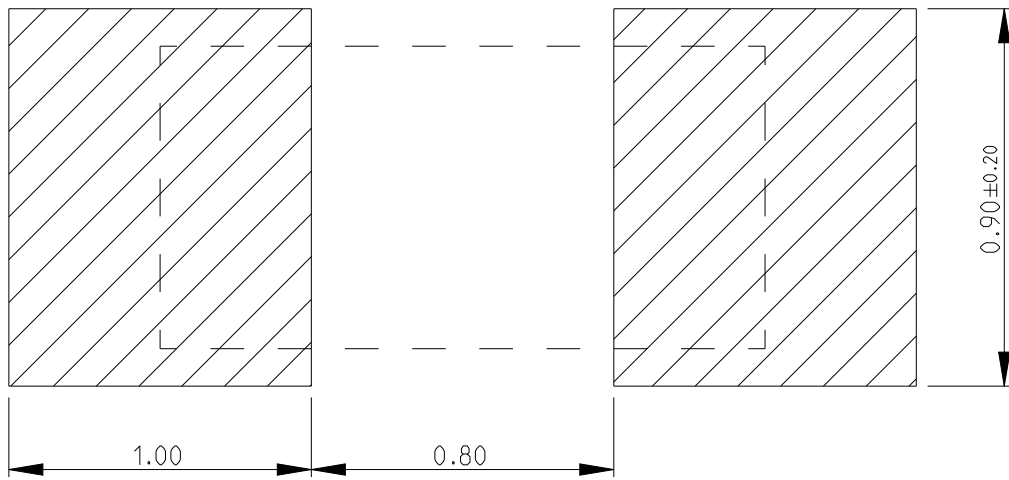
RoHS Compliant



© 2020 TE Connectivity. All Rights Reserved.


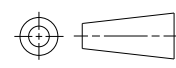
DIMENSIONS: mm	DWN GANESH C M	21MAY2018	MATERIAL	-	FINISH	-
	CHK ALLAN.P	21MAY2018				
TOLERANCES UNLESS OTHERWISE SPECIFIED:	APVD ALLAN.P	21MAY2018				
	0 PLC ±0.5	PRODUCT SPEC	NAME SMD Thin Film Precision Resistors - AEC-Q200 Compliant - Type RQ73 0603 Series			
1 PLC ±0.2	APPLICATION SPEC	-	SIZE	CAGE CODE	DRAWING NO	RESTRICTED TO
2 PLC ±0.1			A 4	00779	C=2176369	
3 PLC ±						
4 PLC ±						
ANGLES 5°	WEIGHT	-	CUSTOMER DRAWING			
			SCALE	80:1	SHEET	1 OF 2
					REV	B

REVISIONS					
P	LTR	DESCRIPTION	DATE	DWN	APVD
	-	SEE SHEET 1	-	-	-



RECOMMENDED LAND PATTERN

© 2020 TE Connectivity. All Rights Reserved.

DIMENSIONS: mm	DWN GANESH C M	21MAY2018	MATERIAL	-	FINISH	-
	CHK ALLAN.P	21MAY2018				
TOLERANCES UNLESS OTHERWISE SPECIFIED:	APVD ALLAN.P	21MAY2018				
	0 PLC ±0.5	PRODUCT SPEC	NAME SMD Thin Film Precision Resistors - AEC-Q200 Compliant - Type RQ73 0603 Series			
1 PLC ±0.2	APPLICATION SPEC	-	SIZE	CAGE CODE	DRAWING NO	RESTRICTED TO
2 PLC ±0.1			A 4	00779	C=2176369	
3 PLC ±	WEIGHT	-				
4 PLC ±			CUSTOMER DRAWING			
ANGLES ±5°			SCALE	NTS	SHEET	2 OF 2
					REV	B