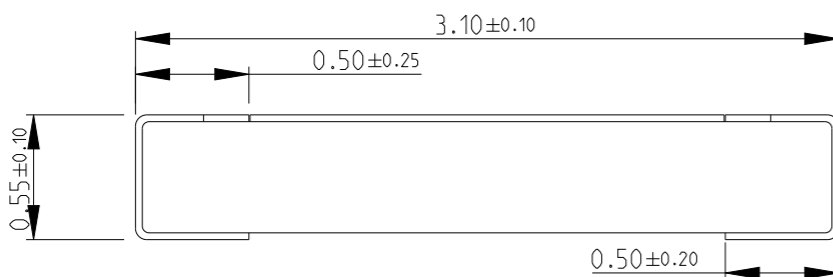
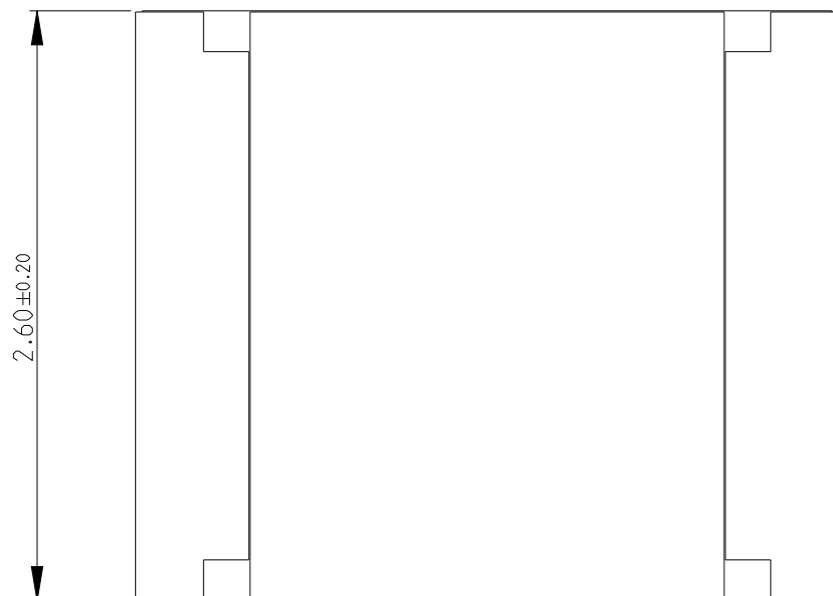
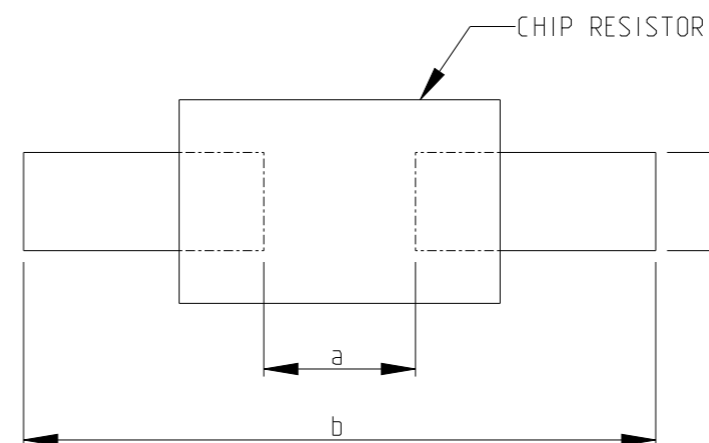


P	LTR	DESCRIPTION	DATE	DWN	APVD
	A	NEW DRAWING	21MAY2018	GCM	AP
	A1	PCB LAYOUT AND SCHEDULE ADDED	24JAN2023	DM	AP



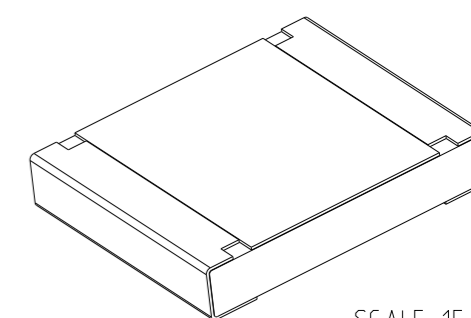
RECOMMENDED PCB LAYOUT PLAN



TYPE	a (mm)	b (mm)	c (mm)
1210	1.90 to 2.10	4.10 to 4.30	2.50 to 2.70

NOTES:

- FOR FURTHER INFORMATION SEE DATA SHEET FOR CRGCQ SERIES SMD AEC-Q200 THICK FILM CHIP RESISTORS



SCALE 15:1

RoHS Compliant

THIS DRAWING IS A CONTROLLED DOCUMENT.		DWN	21MAY2018		
		CHK	21MAY2018		
		APVD	21MAY2018		
		ALLAN.P	ALLAN.P		
DIMENSIONS: mm		TOLERANCES UNLESS OTHERWISE SPECIFIED:		NAME	
		0 PLC	±0.5	SMD AEC-Q200 COMPLIANT THICK FILM CHIP RESISTOR TYPE CRGCQ 1210 SERIES	
		1 PLC	±0.2	-	
		2 PLC	±0.1	-	
		3 PLC	±	-	
MATERIAL		4 PLC	±	SIZE	CAGE CODE
		ANGLES	± 5°	A3	00779
		FINISH	-	DRAWING NO	RESTRICTED TO
				©=2176345	-
				CUSTOMER DRAWING	SCALE 30:1
					SHEET 1 OF 2
					REV A1

REVISIONS

P	LTR	DESCRIPTION	DATE	DWN	APVD
	-	SEE SHEET 1	-	-	-

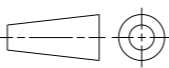
SCHEDULE

TCPN	CATALOGUE NUMBER	PART DESCRIPTION	PART STATUS
2176345-1	CRGCQ1210F10R	CRGCQ 1210 10R 1%	PRODUCTION
2176345-2	CRGCQ1210F12R	CRGCQ 1210 12R 1%	PRODUCTION
2176345-3	CRGCQ1210F15R	CRGCQ 1210 15R 1%	PRODUCTION
2176345-4	CRGCQ1210F18R	CRGCQ 1210 18R 1%	PRODUCTION
2176345-5	CRGCQ1210F22R	CRGCQ 1210 22R 1%	PRODUCTION
2176345-6	CRGCQ1210F27R	CRGCQ 1210 27R 1%	PRODUCTION
2176345-7	CRGCQ1210F33R	CRGCQ 1210 33R 1%	PRODUCTION
2176345-8	CRGCQ1210F39R	CRGCQ 1210 39R 1%	PRODUCTION
2176345-9	CRGCQ1210F47R	CRGCQ 1210 47R 1%	PRODUCTION
1-2176345-0	CRGCQ1210F56R	CRGCQ 1210 56R 1%	PRODUCTION
1-2176345-1	CRGCQ1210F68R	CRGCQ 1210 68R 1%	PRODUCTION
1-2176345-2	CRGCQ1210F82R	CRGCQ 1210 82R 1%	PRODUCTION
1-2176345-3	CRGCQ1210F100R	CRGCQ 1210 100R 1%	PRODUCTION
1-2176345-4	CRGCQ1210F120R	CRGCQ 1210 120R 1%	PRODUCTION
1-2176345-5	CRGCQ1210F150R	CRGCQ 1210 150R 1%	PRODUCTION
1-2176345-6	CRGCQ1210F180R	CRGCQ 1210 180R 1%	PRODUCTION
1-2176345-7	CRGCQ1210F220R	CRGCQ 1210 220R 1%	PRODUCTION
1-2176345-8	CRGCQ1210F270R	CRGCQ 1210 270R 1%	PRODUCTION
1-2176345-9	CRGCQ1210F330R	CRGCQ 1210 330R 1%	PRODUCTION
2-2176345-0	CRGCQ1210F390R	CRGCQ 1210 390R 1%	PRODUCTION
2-2176345-1	CRGCQ1210F470R	CRGCQ 1210 470R 1%	PRODUCTION
2-2176345-2	CRGCQ1210F560R	CRGCQ 1210 560R 1%	PRODUCTION
2-2176345-3	CRGCQ1210F680R	CRGCQ 1210 680R 1%	PRODUCTION
2-2176345-4	CRGCQ1210F820R	CRGCQ 1210 820R 1%	PRODUCTION
2-2176345-5	CRGCQ1210F1K0	CRGCQ 1210 1K0 1%	PRODUCTION
2-2176345-6	CRGCQ1210F1K2	CRGCQ 1210 1K2 1%	PRODUCTION
2-2176345-7	CRGCQ1210F1K5	CRGCQ 1210 1K5 1%	PRODUCTION
2-2176345-8	CRGCQ1210F1K8	CRGCQ 1210 1K8 1%	PRODUCTION
2-2176345-9	CRGCQ1210F2K2	CRGCQ 1210 2K2 1%	PRODUCTION
3-2176345-0	CRGCQ1210F2K7	CRGCQ 1210 2K7 1%	PRODUCTION

SCHEDULE

TCPN	CATALOGUE NUMBER	PART DESCRIPTION	PART STATUS
3-2176345-1	CRGCQ1210F3K3	CRGCQ 1210 3K3 1%	PRODUCTION
3-2176345-2	CRGCQ1210F3K9	CRGCQ 1210 3K9 1%	PRODUCTION
3-2176345-3	CRGCQ1210F4K7	CRGCQ 1210 4K7 1%	PRODUCTION
3-2176345-4	CRGCQ1210F5K6	CRGCQ 1210 5K6 1%	PRODUCTION
3-2176345-5	CRGCQ1210F6K8	CRGCQ 1210 6K8 1%	PRODUCTION
3-2176345-6	CRGCQ1210F8K2	CRGCQ 1210 8K2 1%	PRODUCTION
3-2176345-7	CRGCQ1210F10K	CRGCQ 1210 10K 1%	PRODUCTION
3-2176345-8	CRGCQ1210F12K	CRGCQ 1210 12K 1%	PRODUCTION
3-2176345-9	CRGCQ1210F15K	CRGCQ 1210 15K 1%	PRODUCTION
4-2176345-0	CRGCQ1210F18K	CRGCQ 1210 18K 1%	PRODUCTION
4-2176345-1	CRGCQ1210F22K	CRGCQ 1210 22K 1%	PRODUCTION
4-2176345-2	CRGCQ1210F27K	CRGCQ 1210 27K 1%	PRODUCTION
4-2176345-3	CRGCQ1210F33K	CRGCQ 1210 33K 1%	PRODUCTION
4-2176345-4	CRGCQ1210F39K	CRGCQ 1210 39K 1%	PRODUCTION
4-2176345-5	CRGCQ1210F47K	CRGCQ 1210 47K 1%	PRODUCTION
4-2176345-6	CRGCQ1210F56K	CRGCQ 1210 56K 1%	PRODUCTION
4-2176345-7	CRGCQ1210F68K	CRGCQ 1210 68K 1%	PRODUCTION
4-2176345-8	CRGCQ1210F82K	CRGCQ 1210 82K 1%	PRODUCTION
4-2176345-9	CRGCQ1210F100K	CRGCQ 1210 100K 1%	PRODUCTION
5-2176345-0	CRGCQ1210F120K	CRGCQ 1210 120K 1%	PRODUCTION
5-2176345-1	CRGCQ1210F150K	CRGCQ 1210 150K 1%	PRODUCTION
5-2176345-2	CRGCQ1210F180K	CRGCQ 1210 180K 1%	PRODUCTION
5-2176345-3	CRGCQ1210F220K	CRGCQ 1210 220K 1%	PRODUCTION
5-2176345-4	CRGCQ1210F270K	CRGCQ 1210 270K 1%	PRODUCTION
5-2176345-5	CRGCQ1210F330K	CRGCQ 1210 330K 1%	PRODUCTION
5-2176345-6	CRGCQ1210F390K	CRGCQ 1210 390K 1%	PRODUCTION
5-2176345-7	CRGCQ1210F470K	CRGCQ 1210 470K 1%	PRODUCTION
5-2176345-8	CRGCQ1210F560K	CRGCQ 1210 560K 1%	PRODUCTION
5-2176345-9	CRGCQ1210F680K	CRGCQ 1210 680K 1%	PRODUCTION
6-2176345-0	CRGCQ1210F820K	CRGCQ 1210 820K 1%	PRODUCTION
6-2176345-1	CRGCQ1210F1M0	CRGCQ 1210 1M0 1%	PRODUCTION

THIS DRAWING IS A CONTROLLED DOCUMENT.

DIMENSIONS: mm	TOLERANCES UNLESS OTHERWISE SPECIFIED:
	0 PLC ±0.5 1 PLC ±0.2 2 PLC ±0.1 3 PLC ± 4 PLC ± ANGLES ±5°
MATERIAL	FINISH
-	-

DWN	21MAY2018
CHK	21MAY2018
APVD	21MAY2018
PRODUCT SPEC	-
APPLICATION SPEC	-
WEIGHT	-

**TE** TE Connectivity

NAME SMD AEC-Q200 COMPLIANT THICK FILM CHIP RESISTOR TYPE CRGCQ 1210 SERIES

SIZE	CAGE CODE	DRAWING NO	RESTRICTED TO
A3	00779	©=2176345	-