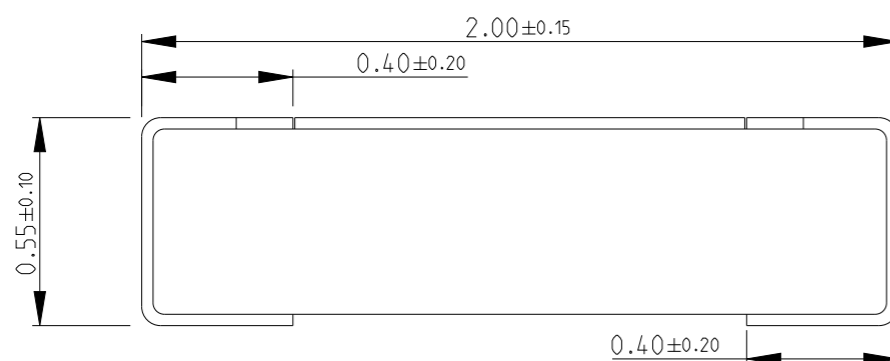
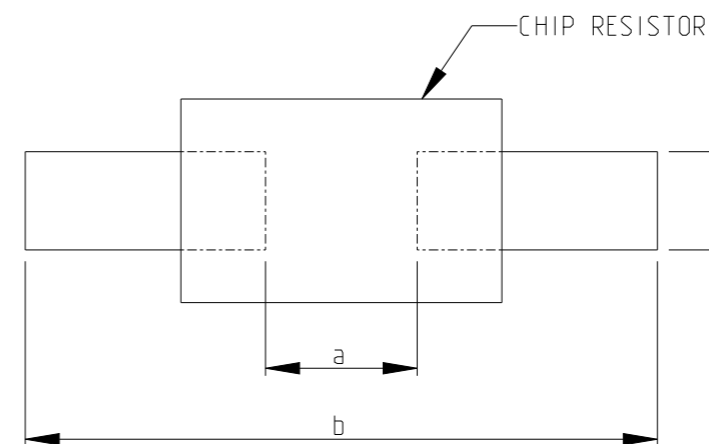


P	LTR	DESCRIPTION	DATE	DWN	APVD
	A	NEW DRAWING	21MAY2018	GCM	AP
	A1	PCB LAYOUT AND SCHEDULE ADDED	24JAN2023	DM	AP



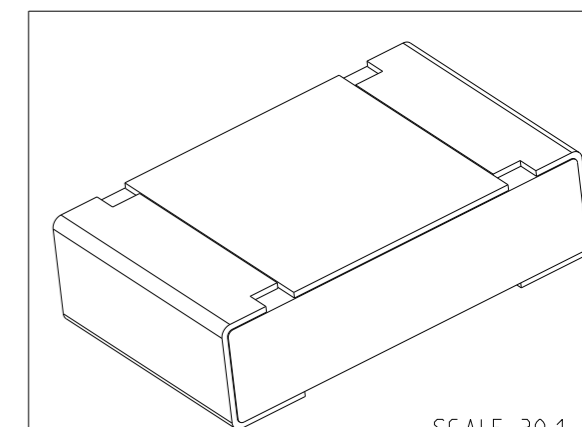
RECOMMENDED PCB LAYOUT PLAN



TYPE	a (mm)	b (mm)	c (mm)
0805	0.90 to 1.10	2.90 to 3.10	1.20 to 1.40

NOTES:

1. FOR FURTHER INFORMATION SEE DATA SHEET FOR CRGCQ SERIES SMD AEC-Q200 THICK FILM CHIP RESISTORS



RoHS Compliant

THIS DRAWING IS A CONTROLLED DOCUMENT.		DWN	21MAY2018		
		CHK	21MAY2018		
		APVD	21MAY2018		
		ALLAN.P	ALLAN.P		
DIMENSIONS: mm		TOLERANCES UNLESS OTHERWISE SPECIFIED:		NAME	
		0 PLC	±0.5	SMD AEC-Q200 COMPLIANT THICK FILM CHIP RESISTOR TYPE CRGCQ 0805 SERIES	
		1 PLC	±0.2	-	
		2 PLC	±0.1	-	
		3 PLC	±	-	
MATERIAL		4 PLC	±	SIZE	CAGE CODE
FINISH		ANGLES	±5°	A3	00779
				DRAWING NO	
				C=2176342	
				RESTRICTED TO	
				-	
		WEIGHT	-	SCALE	
				50:1	
		CUSTOMER DRAWING		SHEET	
				1 OF 2	
				REV	
				A1	

REVISIONS

P	LTR	DESCRIPTION	DATE	DWN	APVD
	-	SEE SHEET 1	-	-	-

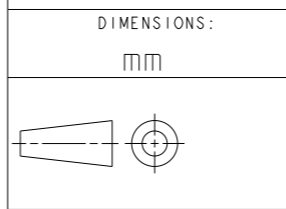
SCHEDULE

TCPN	CATALOGUE NUMBER	PART DESCRIPTION	PART STATUS
2176342-1	CRGCQ0805J1R0	CRGCQ 0805 1R0 5%	PRODUCTION
2176342-2	CRGCQ0805J1R5	CRGCQ 0805 1R5 5%	PRODUCTION
2176342-3	CRGCQ0805J2R2	CRGCQ 0805 2R2 5%	PRODUCTION
2176342-4	CRGCQ0805J3R3	CRGCQ 0805 3R3 5%	PRODUCTION
2176342-5	CRGCQ0805J4R7	CRGCQ 0805 4R7 5%	PRODUCTION
2176342-6	CRGCQ0805J6R8	CRGCQ 0805 6R8 5%	PRODUCTION
2176342-7	CRGCQ0805J10R	CRGCQ 0805 10R 5%	PRODUCTION
2176342-8	CRGCQ0805J15R	CRGCQ 0805 15R 5%	PRODUCTION
2176342-9	CRGCQ0805J22R	CRGCQ 0805 22R 5%	PRODUCTION
1-2176342-0	CRGCQ0805J33R	CRGCQ 0805 33R 5%	PRODUCTION
1-2176342-1	CRGCQ0805J47R	CRGCQ 0805 47R 5%	PRODUCTION
1-2176342-2	CRGCQ0805J68R	CRGCQ 0805 68R 5%	PRODUCTION
1-2176342-3	CRGCQ0805J100R	CRGCQ 0805 100R 5%	PRODUCTION
1-2176342-4	CRGCQ0805J150R	CRGCQ 0805 150R 5%	PRODUCTION
1-2176342-5	CRGCQ0805J220R	CRGCQ 0805 220R 5%	PRODUCTION
1-2176342-6	CRGCQ0805J330R	CRGCQ 0805 330R 5%	PRODUCTION
1-2176342-7	CRGCQ0805J470R	CRGCQ 0805 470R 5%	PRODUCTION
1-2176342-8	CRGCQ0805J680R	CRGCQ 0805 680R 5%	PRODUCTION
1-2176342-9	CRGCQ0805J1K0	CRGCQ 0805 1K0 5%	PRODUCTION
2-2176342-0	CRGCQ0805J1K5	CRGCQ 0805 1K5 5%	PRODUCTION
2-2176342-1	CRGCQ0805J2K2	CRGCQ 0805 2K2 5%	PRODUCTION
2-2176342-2	CRGCQ0805J3K3	CRGCQ 0805 3K3 5%	PRODUCTION
2-2176342-3	CRGCQ0805J4K7	CRGCQ 0805 4K7 5%	PRODUCTION
2-2176342-4	CRGCQ0805J6K8	CRGCQ 0805 6K8 5%	PRODUCTION
2-2176342-5	CRGCQ0805J10K	CRGCQ 0805 10K 5%	PRODUCTION
2-2176342-6	CRGCQ0805J15K	CRGCQ 0805 15K 5%	PRODUCTION
2-2176342-7	CRGCQ0805J22K	CRGCQ 0805 22K 5%	PRODUCTION
2-2176342-8	CRGCQ0805J33K	CRGCQ 0805 33K 5%	PRODUCTION
2-2176342-9	CRGCQ0805J47K	CRGCQ 0805 47K 5%	PRODUCTION
3-2176342-0	CRGCQ0805J68K	CRGCQ 0805 68K 5%	PRODUCTION

SCHEDULE

TCPN	CATALOGUE NUMBER	PART DESCRIPTION	PART STATUS
3-2176342-1	CRGCQ0805J100K	CRGCQ 0805 100K 5%	PRODUCTION
3-2176342-2	CRGCQ0805J150K	CRGCQ 0805 150K 5%	PRODUCTION
3-2176342-3	CRGCQ0805J220K	CRGCQ 0805 220K 5%	PRODUCTION
3-2176342-4	CRGCQ0805J330K	CRGCQ 0805 330K 5%	PRODUCTION
3-2176342-5	CRGCQ0805J470K	CRGCQ 0805 470K 5%	PRODUCTION
3-2176342-6	CRGCQ0805J680K	CRGCQ 0805 680K 5%	PRODUCTION
3-2176342-7	CRGCQ0805J1M0	CRGCQ 0805 1M0 5%	PRODUCTION
3-2176342-8	CRGCQ0805J1M5	CRGCQ 0805 1M5 5%	PRODUCTION
3-2176342-9	CRGCQ0805J2M2	CRGCQ 0805 2M2 5%	PRODUCTION
4-2176342-0	CRGCQ0805J3M3	CRGCQ 0805 3M3 5%	PRODUCTION
4-2176342-1	CRGCQ0805J4M7	CRGCQ 0805 4M7 5%	PRODUCTION
4-2176342-2	CRGCQ0805J6M8	CRGCQ 0805 6M8 5%	PRODUCTION
4-2176342-3	CRGCQ0805J10M	CRGCQ 0805 10M 5%	PRODUCTION
4-2176342-4	CRGCQ0805ZR	CRGCQ 0805 ZEROHM	PRODUCTION

THIS DRAWING IS A CONTROLLED DOCUMENT.



MATERIAL -

DIMENSIONS:		TOLERANCES UNLESS OTHERWISE SPECIFIED:	
	mm		
0 PLC	±0.5	1 PLC	±0.2
2 PLC	±0.1	3 PLC	±
4 PLC	±	ANGLES	±5°
FINISH	-		

DWN	GANESH C M	21MAY2018
CHK	ALLAN.P	21MAY2018
APVD	ALLAN.P	21MAY2018
PRODUCT SPEC	-	
APPLICATION SPEC	-	
WEIGHT	-	



NAME SMD AEC-Q200 COMPLIANT THICK FILM CHIP RESISTOR TYPE CRGCQ 0805 SERIES

SIZE	CAGE CODE	DRAWING NO	RESTRICTED TO
A3	00779	©=2176342	-