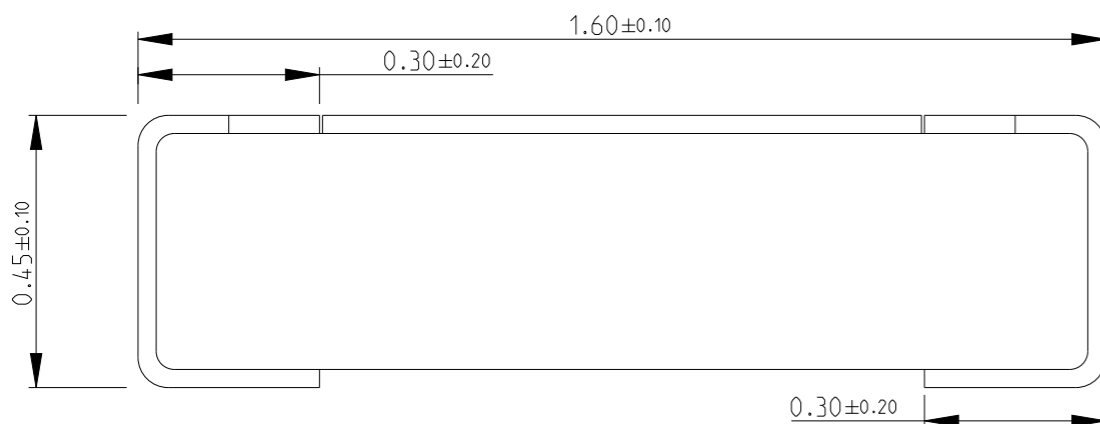
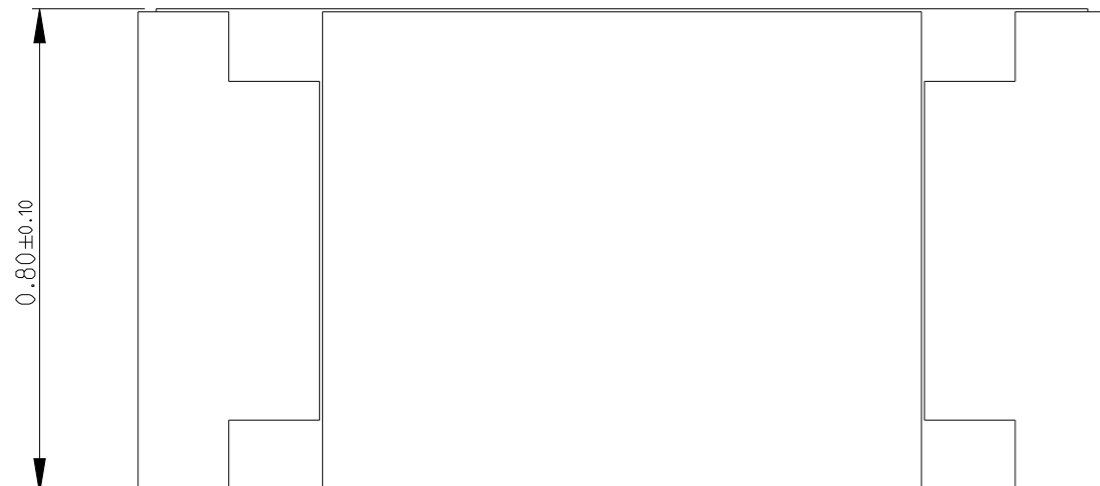


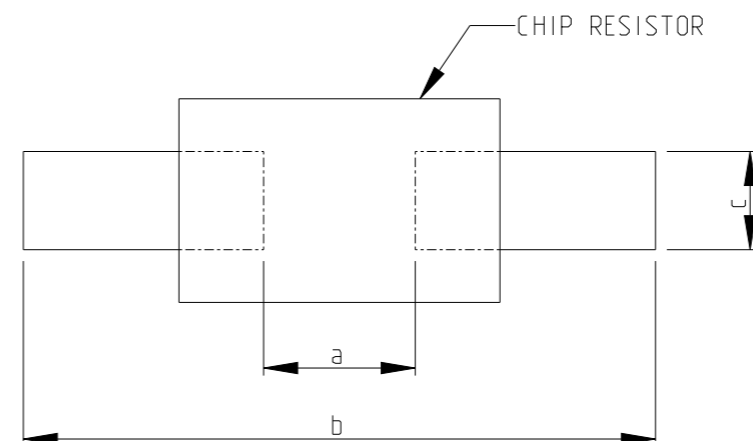
P	LTR	DESCRIPTION	DATE	DWN	APVD
	A	NEW DRAWING	21MAY2018	GCM	AP
	A1	PCB LAYOUT AND SCHEDULE ADDED	24JAN2023	DM	AP



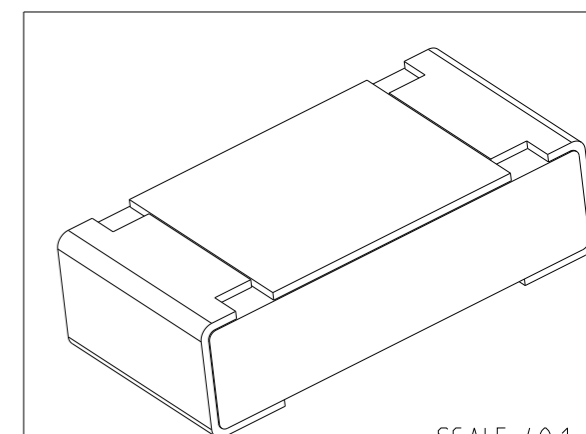
NOTES:

- FOR FURTHER INFORMATION SEE DATA SHEET FOR CRGCQ SERIES SMD AEC-Q200 THICK FILM CHIP RESISTORS

RECOMMENDED PCB LAYOUT PLAN



TYPE	a (mm)	b (mm)	c (mm)
0603	0.85 to 0.95	2.05 to 2.15	0.75 to 0.85



RoHS Compliant

THIS DRAWING IS A CONTROLLED DOCUMENT.		DWN	21MAY2018		
		CHK	21MAY2018		
		APVD	21MAY2018		
		ALLAN.P	ALLAN.P		
DIMENSIONS: mm		TOLERANCES UNLESS OTHERWISE SPECIFIED:		NAME SMD AEC-Q200 COMPLIANT THICK FILM CHIP RESISTOR TYPE CRGCQ 0603 SERIES	
		0 PLC	±0.5	PRODUCT SPEC	
		1 PLC	±0.2	APPLICATION SPEC	
MATERIAL		2 PLC	±0.1	-	
		3 PLC	±	WEIGHT	
		4 PLC	±	SIZE	
		ANGLES	±5°	CAGE CODE	
		FINISH	-	DRAWING NO	
				RESTRICTED TO	
				A3 00779 ©-2176339	
				CUSTOMER DRAWING	
				SCALE	80:1
				SHEET	1 OF 2
				REV	A1

REVISIONS

P	LTR	DESCRIPTION	DATE	DWN	APVD
	-	SEE SHEET 1	-	-	-

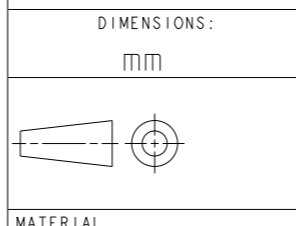
SCHEDULE

TCPN	CATALOGUE NUMBER	PART DESCRIPTION	PART STATUS
2176339-1	CRGCQ0603F10R	CRGCQ 0603 10R 1%	PRODUCTION
2176339-2	CRGCQ0603F12R	CRGCQ 0603 12R 1%	PRODUCTION
2176339-3	CRGCQ0603F15R	CRGCQ 0603 15R 1%	PRODUCTION
2176339-4	CRGCQ0603F18R	CRGCQ 0603 18R 1%	PRODUCTION
2176339-5	CRGCQ0603F22R	CRGCQ 0603 22R 1%	PRODUCTION
2176339-6	CRGCQ0603F27R	CRGCQ 0603 27R 1%	PRODUCTION
2176339-7	CRGCQ0603F33R	CRGCQ 0603 33R 1%	PRODUCTION
2176339-8	CRGCQ0603F39R	CRGCQ 0603 39R 1%	PRODUCTION
2176339-9	CRGCQ0603F47R	CRGCQ 0603 47R 1%	PRODUCTION
1-2176339-0	CRGCQ0603F56R	CRGCQ 0603 56R 1%	PRODUCTION
1-2176339-1	CRGCQ0603F68R	CRGCQ 0603 68R 1%	PRODUCTION
1-2176339-2	CRGCQ0603F82R	CRGCQ 0603 82R 1%	PRODUCTION
1-2176339-3	CRGCQ0603F100R	CRGCQ 0603 100R 1%	PRODUCTION
1-2176339-4	CRGCQ0603F120R	CRGCQ 0603 120R 1%	PRODUCTION
1-2176339-5	CRGCQ0603F150R	CRGCQ 0603 150R 1%	PRODUCTION
1-2176339-6	CRGCQ0603F180R	CRGCQ 0603 180R 1%	PRODUCTION
1-2176339-7	CRGCQ0603F220R	CRGCQ 0603 220R 1%	PRODUCTION
1-2176339-8	CRGCQ0603F270R	CRGCQ 0603 270R 1%	PRODUCTION
1-2176339-9	CRGCQ0603F330R	CRGCQ 0603 330R 1%	PRODUCTION
2-2176339-0	CRGCQ0603F390R	CRGCQ 0603 390R 1%	PRODUCTION
2-2176339-1	CRGCQ0603F470R	CRGCQ 0603 470R 1%	PRODUCTION
2-2176339-2	CRGCQ0603F560R	CRGCQ 0603 560R 1%	PRODUCTION
2-2176339-3	CRGCQ0603F680R	CRGCQ 0603 680R 1%	PRODUCTION
2-2176339-4	CRGCQ0603F820R	CRGCQ 0603 820R 1%	PRODUCTION
2-2176339-5	CRGCQ0603F1K0	CRGCQ 0603 1K0 1%	PRODUCTION
2-2176339-6	CRGCQ0603F1K2	CRGCQ 0603 1K2 1%	PRODUCTION
2-2176339-7	CRGCQ0603F1K5	CRGCQ 0603 1K5 1%	PRODUCTION
2-2176339-8	CRGCQ0603F1K8	CRGCQ 0603 1K8 1%	PRODUCTION
2-2176339-9	CRGCQ0603F2K2	CRGCQ 0603 2K2 1%	PRODUCTION
3-2176339-0	CRGCQ0603F2K7	CRGCQ 0603 2K7 1%	PRODUCTION

SCHEDULE

TCPN	CATALOGUE NUMBER	PART DESCRIPTION	PART STATUS
3-2176339-1	CRGCQ0603F3K3	CRGCQ 0603 3K3 1%	PRODUCTION
3-2176339-2	CRGCQ0603F3K9	CRGCQ 0603 3K9 1%	PRODUCTION
3-2176339-3	CRGCQ0603F4K7	CRGCQ 0603 4K7 1%	PRODUCTION
3-2176339-4	CRGCQ0603F5K6	CRGCQ 0603 5K6 1%	PRODUCTION
3-2176339-5	CRGCQ0603F6K8	CRGCQ 0603 6K8 1%	PRODUCTION
3-2176339-6	CRGCQ0603F8K2	CRGCQ 0603 8K2 1%	PRODUCTION
3-2176339-7	CRGCQ0603F10K	CRGCQ 0603 10K 1%	PRODUCTION
3-2176339-8	CRGCQ0603F12K	CRGCQ 0603 12K 1%	PRODUCTION
3-2176339-9	CRGCQ0603F15K	CRGCQ 0603 15K 1%	PRODUCTION
4-2176339-0	CRGCQ0603F18K	CRGCQ 0603 18K 1%	PRODUCTION
4-2176339-1	CRGCQ0603F22K	CRGCQ 0603 22K 1%	PRODUCTION
4-2176339-2	CRGCQ0603F27K	CRGCQ 0603 27K 1%	PRODUCTION
4-2176339-3	CRGCQ0603F33K	CRGCQ 0603 33K 1%	PRODUCTION
4-2176339-4	CRGCQ0603F39K	CRGCQ 0603 39K 1%	PRODUCTION
4-2176339-5	CRGCQ0603F47K	CRGCQ 0603 47K 1%	PRODUCTION
4-2176339-6	CRGCQ0603F56K	CRGCQ 0603 56K 1%	PRODUCTION
4-2176339-7	CRGCQ0603F68K	CRGCQ 0603 68K 1%	PRODUCTION
4-2176339-8	CRGCQ0603F82K	CRGCQ 0603 82K 1%	PRODUCTION
4-2176339-9	CRGCQ0603F100K	CRGCQ 0603 100K 1%	PRODUCTION
5-2176339-0	CRGCQ0603F120K	CRGCQ 0603 120K 1%	PRODUCTION
5-2176339-1	CRGCQ0603F150K	CRGCQ 0603 150K 1%	PRODUCTION
5-2176339-2	CRGCQ0603F180K	CRGCQ 0603 180K 1%	PRODUCTION
5-2176339-3	CRGCQ0603F220K	CRGCQ 0603 220K 1%	PRODUCTION
5-2176339-4	CRGCQ0603F270K	CRGCQ 0603 270K 1%	PRODUCTION
5-2176339-5	CRGCQ0603F330K	CRGCQ 0603 330K 1%	PRODUCTION
5-2176339-6	CRGCQ0603F390K	CRGCQ 0603 390K 1%	PRODUCTION
5-2176339-7	CRGCQ0603F470K	CRGCQ 0603 470K 1%	PRODUCTION
5-2176339-8	CRGCQ0603F560K	CRGCQ 0603 560K 1%	PRODUCTION
5-2176339-9	CRGCQ0603F680K	CRGCQ 0603 680K 1%	PRODUCTION
6-2176339-0	CRGCQ0603F820K	CRGCQ 0603 820K 1%	PRODUCTION
6-2176339-1	CRGCQ0603F1M0	CRGCQ 0603 1M0 1%	PRODUCTION

THIS DRAWING IS A CONTROLLED DOCUMENT.



MATERIAL -

DIMENSIONS:		TOLERANCES UNLESS OTHERWISE SPECIFIED:	
mm		0 PLC	±0.5
		1 PLC	±0.2
		2 PLC	±0.1
		3 PLC	±
		4 PLC	±
		ANGLES	±5°
		FINISH	-

DWN	GANESH C M	21MAY2018
CHK	ALLAN.P	21MAY2018
APVD	ALLAN.P	21MAY2018
PRODUCT SPEC	-	-
APPLICATION SPEC	-	-
WEIGHT	-	-

STE TE Connectivity

NAME: SMD AEC-Q200 COMPLIANT THICK FILM CHIP RESISTOR TYPE CRGCQ 0603 SERIES

SIZE	CAGE CODE	DRAWING NO	RESTRICTED TO
A3	00779	©-2176339	-