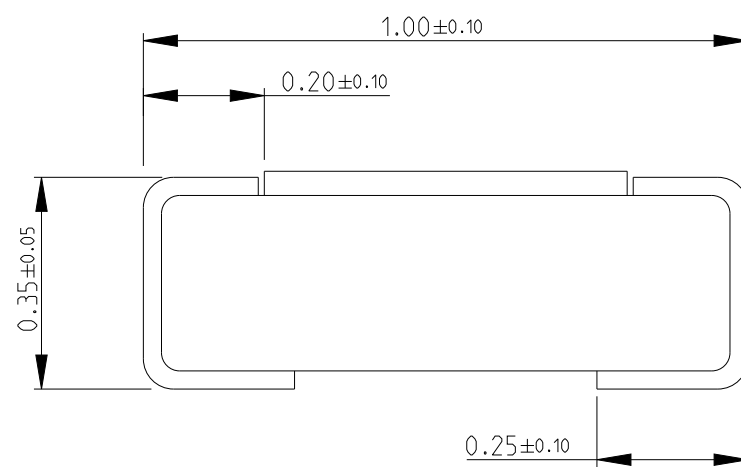
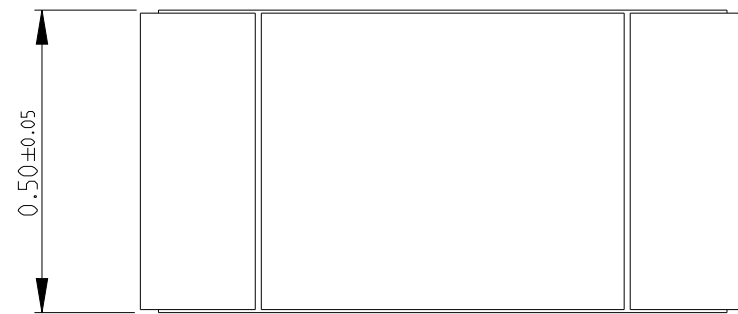
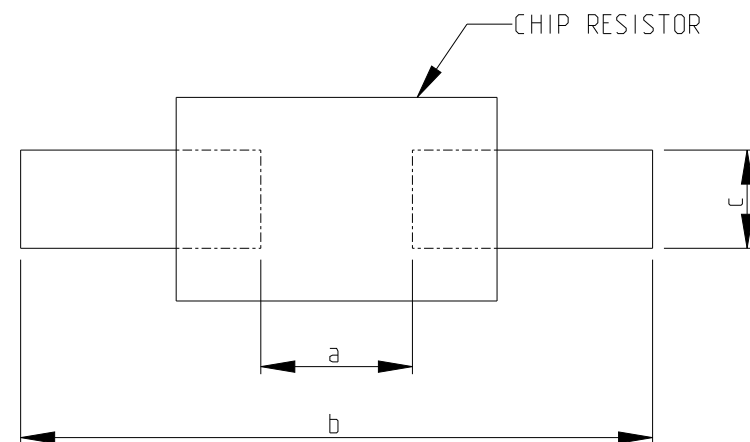


P	LTR	DESCRIPTION	DATE	DWN	APVD
	A	NEW DRAWING	21MAY2018	GCM	AP
	A1	PCB LAYOUT AND SCHEDULE ADDED	23JAN2023	DM	AP



RECOMMENDED PCB LAYOUT PLAN

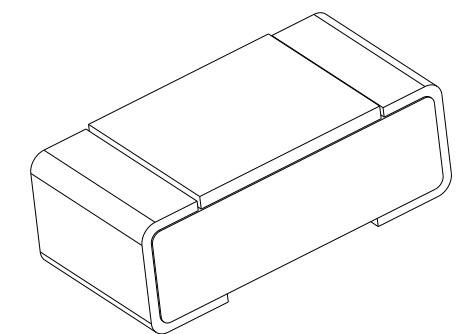


TYPE	a (mm)	b (mm)	c (mm)
0402	0.45 TO 0.55	1.35 TO 1.45	0.45 TO 0.55

NOTES:

- FOR FURTHER INFORMATION SEE DATA SHEET FOR CRGCQ SERIES SMD AEC-Q200 THICK FILM CHIP RESISTORS

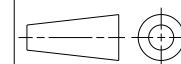
RoHS Compliant



SCALE 50:1

THIS DRAWING IS A CONTROLLED DOCUMENT.

DIMENSIONS:
mm



MATERIAL

TOLERANCES UNLESS OTHERWISE SPECIFIED:

0 PLC	±0.5
1 PLC	±0.2
2 PLC	±0.1
3 PLC	±
4 PLC	±
ANGLES	±5°
FINISH	-

DWN 21MAY2018

CHK GANESH C M 21MAY2018

APVD ALLAN.P 21MAY2018

PRODUCT SPEC

-

APPLICATION SPEC

-

WEIGHT

-

CUSTOMER DRAWING

NAME SMD AEC-Q200 COMPLIANT THICK FILM CHIP RESISTOR TYPE CRGCQ 0402 SERIES

SIZE CAGE CODE DRAWING NO RESTRICTED TO

A3 00779 C=2176338 -

SCALE 80:1 SHEET 1 OF 2 REV A1

TE TE Connectivity

REVISIONS

P	LTR	DESCRIPTION	DATE	DWN	APVD
	-	SEE SHEET 1	-	-	-

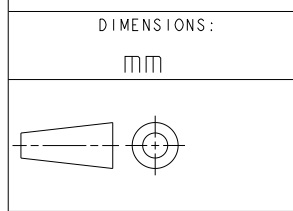
SCHEDULE

TCPN	CATALOGUE NUMBER	PART DESCRIPTION	PART STATUS
2176338-1	CRGCQ0402J1R0	CRGCQ 0402 1R0 5%	PRODUCTION
2176338-2	CRGCQ0402J1R5	CRGCQ 0402 1R5 5%	PRODUCTION
2176338-3	CRGCQ0402J2R2	CRGCQ 0402 2R2 5%	PRODUCTION
2176338-4	CRGCQ0402J3R3	CRGCQ 0402 3R3 5%	PRODUCTION
2176338-5	CRGCQ0402J4R7	CRGCQ 0402 4R7 5%	PRODUCTION
2176338-6	CRGCQ0402J6R8	CRGCQ 0402 6R8 5%	PRODUCTION
2176338-7	CRGCQ0402J10R	CRGCQ 0402 10R 5%	PRODUCTION
2176338-8	CRGCQ0402J15R	CRGCQ 0402 15R 5%	PRODUCTION
2176338-9	CRGCQ0402J22R	CRGCQ 0402 22R 5%	PRODUCTION
1-2176338-0	CRGCQ0402J33R	CRGCQ 0402 33R 5%	PRODUCTION
1-2176338-1	CRGCQ0402J47R	CRGCQ 0402 47R 5%	PRODUCTION
1-2176338-2	CRGCQ0402J68R	CRGCQ 0402 68R 5%	PRODUCTION
1-2176338-3	CRGCQ0402J100R	CRGCQ 0402 100R 5%	PRODUCTION
1-2176338-4	CRGCQ0402J150R	CRGCQ 0402 150R 5%	PRODUCTION
1-2176338-5	CRGCQ0402J220R	CRGCQ 0402 220R 5%	PRODUCTION
1-2176338-6	CRGCQ0402J330R	CRGCQ 0402 330R 5%	PRODUCTION
1-2176338-7	CRGCQ0402J470R	CRGCQ 0402 470R 5%	PRODUCTION
1-2176338-8	CRGCQ0402J680R	CRGCQ 0402 680R 5%	PRODUCTION
1-2176338-9	CRGCQ0402J1K0	CRGCQ 0402 1K0 5%	PRODUCTION
2-2176338-0	CRGCQ0402J1K5	CRGCQ 0402 1K5 5%	PRODUCTION
2-2176338-1	CRGCQ0402J2K2	CRGCQ 0402 2K2 5%	PRODUCTION
2-2176338-2	CRGCQ0402J3K3	CRGCQ 0402 3K3 5%	PRODUCTION
2-2176338-3	CRGCQ0402J4K7	CRGCQ 0402 4K7 5%	PRODUCTION
2-2176338-4	CRGCQ0402J6K8	CRGCQ 0402 6K8 5%	PRODUCTION
2-2176338-5	CRGCQ0402J10K	CRGCQ 0402 10K 5%	PRODUCTION
2-2176338-6	CRGCQ0402J15K	CRGCQ 0402 15K 5%	PRODUCTION
2-2176338-7	CRGCQ0402J22K	CRGCQ 0402 22K 5%	PRODUCTION
2-2176338-8	CRGCQ0402J33K	CRGCQ 0402 33K 5%	PRODUCTION
2-2176338-9	CRGCQ0402J47K	CRGCQ 0402 47K 5%	PRODUCTION
3-2176338-0	CRGCQ0402J68K	CRGCQ 0402 68K 5%	PRODUCTION

SCHEDULE

TCPN	CATALOGUE NUMBER	PART DESCRIPTION	PART STATUS
3-2176338-1	CRGCQ0402J100K	CRGCQ 0402 100K 5%	PRODUCTION
3-2176338-2	CRGCQ0402J150K	CRGCQ 0402 150K 5%	PRODUCTION
3-2176338-3	CRGCQ0402J220K	CRGCQ 0402 220K 5%	PRODUCTION
3-2176338-4	CRGCQ0402J330K	CRGCQ 0402 330K 5%	PRODUCTION
3-2176338-5	CRGCQ0402J470K	CRGCQ 0402 470K 5%	PRODUCTION
3-2176338-6	CRGCQ0402J680K	CRGCQ 0402 680K 5%	PRODUCTION
3-2176338-7	CRGCQ0402J1M0	CRGCQ 0402 1M0 5%	PRODUCTION
3-2176338-8	CRGCQ0402J1M5	CRGCQ 0402 1M5 5%	PRODUCTION
3-2176338-9	CRGCQ0402J2M2	CRGCQ 0402 2M2 5%	PRODUCTION
4-2176338-0	CRGCQ0402J3M3	CRGCQ 0402 3M3 5%	PRODUCTION
4-2176338-1	CRGCQ0402J4M7	CRGCQ 0402 4M7 5%	PRODUCTION
4-2176338-2	CRGCQ0402J6M8	CRGCQ 0402 6M8 5%	PRODUCTION
4-2176338-3	CRGCQ0402J10M	CRGCQ 0402 10M 5%	PRODUCTION
4-2176338-4	CRGCQ0402ZR	CRGCQ 0402 ZEROHM	PRODUCTION

THIS DRAWING IS A CONTROLLED DOCUMENT.



MATERIAL -

DIMENSIONS:		TOLERANCES UNLESS OTHERWISE SPECIFIED:	
mm			
0 PLC	±0.5	1 PLC	±0.2
2 PLC	±0.1	3 PLC	±
4 PLC	±	ANGLES	±5°
FINISH		-	

DWN	GANESH C M	21MAY2018
CHK	ALLAN.P	21MAY2018
APVD	ALLAN.P	21MAY2018
PRODUCT SPEC	-	-
APPLICATION SPEC	-	-
WEIGHT	-	-

STE TE Connectivity

NAME: SMD AEC-Q200 COMPLIANT THICK FILM CHIP RESISTOR TYPE CRGCQ 0402 SERIES

SIZE	CAGE CODE	DRAWING NO	RESTRICTED TO
A3	00779	©-2176338	-