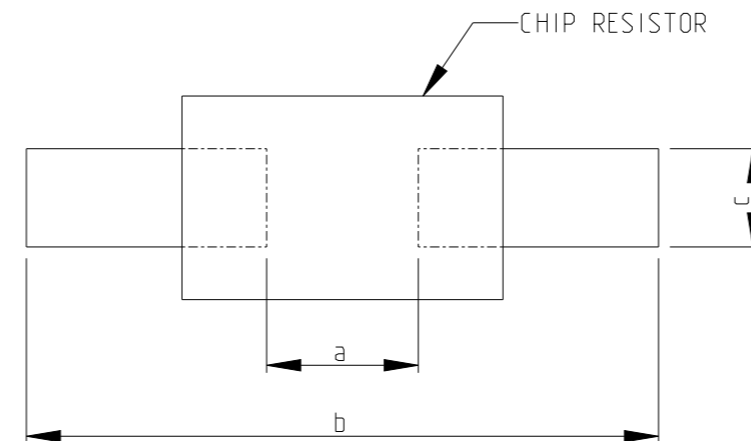


P	LTR	DESCRIPTION	DATE	DWN	APVD
	A	NEW DRAWING	21MAY2018	GCM	AP
	A1	PCB LAYOUT AND SCHEDULE ADDED	20JAN2023	DM	AP

NOTES:

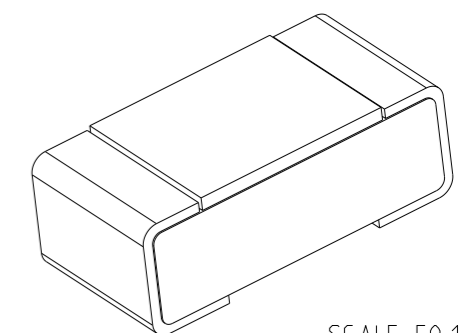
- FOR FURTHER INFORMATION SEE DATA SHEET FOR CRGCQ SERIES SMD AEC-Q200 THICK FILM CHIP RESISTORS

RECOMMENDED PCB LAYOUT PLAN

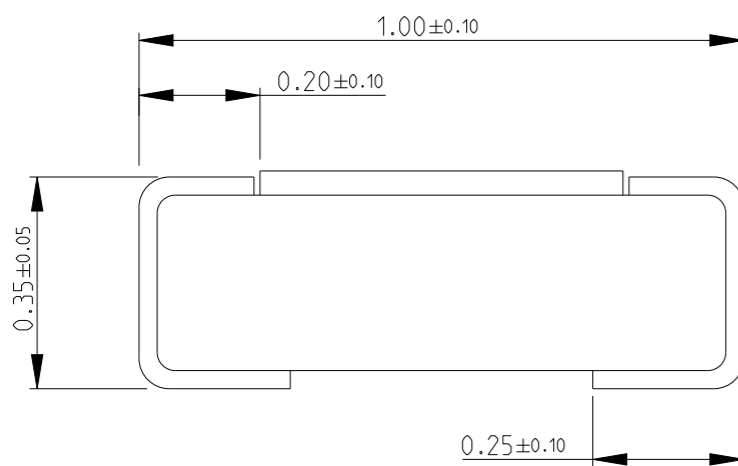


TYPE	a (mm)	b (mm)	c (mm)
0402	0.45 TO 0.55	1.35 TO 1.45	0.45 TO 0.55

RoHS Compliant

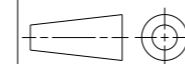


SCALE 50:1



THIS DRAWING IS A CONTROLLED DOCUMENT.

DIMENSIONS:
mm



MATERIAL

TOLERANCES UNLESS OTHERWISE SPECIFIED:

0 PLC	±0.5
1 PLC	±0.2
2 PLC	±0.1
3 PLC	±
4 PLC	±
ANGLES	±5°
FINISH	-

DWN 21MAY2018

CHK GANESH C M 21MAY2018

APVD ALLAN.P 21MAY2018

PRODUCT SPEC

-

APPLICATION SPEC

-

WEIGHT

-

CUSTOMER DRAWING



TE Connectivity

NAME SMD AEC-Q200 COMPLIANT THICK FILM CHIP RESISTOR TYPE CRGCQ 0402 SERIES

-

SIZE A3 CAGE CODE 00779 DRAWING NO. C=2176337 RESTRICTED TO -

SCALE 80:1 SHEET 1 OF 2 REV A1

REVISIONS

P	LTR	DESCRIPTION	DATE	DWN	APVD
	-	SEE SHEET 1	-	-	-

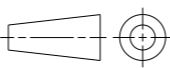
SCHEDULE

TCPN	CATALOGUE NUMBER	PART DESCRIPTION	PART STATUS
2176337-1	CRGCQ0402F10R	CRGCQ 0402 10R 1%	PRODUCTION
2176337-2	CRGCQ0402F12R	CRGCQ 0402 12R 1%	PRODUCTION
2176337-3	CRGCQ0402F15R	CRGCQ 0402 15R 1%	PRODUCTION
2176337-4	CRGCQ0402F18R	CRGCQ 0402 18R 1%	PRODUCTION
2176337-5	CRGCQ0402F22R	CRGCQ 0402 22R 1%	PRODUCTION
2176337-6	CRGCQ0402F27R	CRGCQ 0402 27R 1%	PRODUCTION
2176337-7	CRGCQ0402F33R	CRGCQ 0402 33R 1%	PRODUCTION
2176337-8	CRGCQ0402F39R	CRGCQ 0402 39R 1%	PRODUCTION
2176337-9	CRGCQ0402F47R	CRGCQ 0402 47R 1%	PRODUCTION
1-2176337-0	CRGCQ0402F56R	CRGCQ 0402 56R 1%	PRODUCTION
1-2176337-1	CRGCQ0402F68R	CRGCQ 0402 68R 1%	PRODUCTION
1-2176337-2	CRGCQ0402F82R	CRGCQ 0402 82R 1%	PRODUCTION
1-2176337-3	CRGCQ0402F100R	CRGCQ 0402 100R 1%	PRODUCTION
1-2176337-4	CRGCQ0402F120R	CRGCQ 0402 120R 1%	PRODUCTION
1-2176337-5	CRGCQ0402F150R	CRGCQ 0402 150R 1%	PRODUCTION
1-2176337-6	CRGCQ0402F180R	CRGCQ 0402 180R 1%	PRODUCTION
1-2176337-7	CRGCQ0402F220R	CRGCQ 0402 220R 1%	PRODUCTION
1-2176337-8	CRGCQ0402F270R	CRGCQ 0402 270R 1%	PRODUCTION
1-2176337-9	CRGCQ0402F330R	CRGCQ 0402 330R 1%	PRODUCTION
2-2176337-0	CRGCQ0402F390R	CRGCQ 0402 390R 1%	PRODUCTION
2-2176337-1	CRGCQ0402F470R	CRGCQ 0402 470R 1%	PRODUCTION
2-2176337-2	CRGCQ0402F560R	CRGCQ 0402 560R 1%	PRODUCTION
2-2176337-3	CRGCQ0402F680R	CRGCQ 0402 680R 1%	PRODUCTION
2-2176337-4	CRGCQ0402F820R	CRGCQ 0402 820R 1%	PRODUCTION
2-2176337-5	CRGCQ0402F1K0	CRGCQ 0402 1K0 1%	PRODUCTION
2-2176337-6	CRGCQ0402F1K2	CRGCQ 0402 1K2 1%	PRODUCTION
2-2176337-7	CRGCQ0402F1K5	CRGCQ 0402 1K5 1%	PRODUCTION
2-2176337-8	CRGCQ0402F1K8	CRGCQ 0402 1K8 1%	PRODUCTION
2-2176337-9	CRGCQ0402F2K2	CRGCQ 0402 2K2 1%	PRODUCTION
3-2176337-0	CRGCQ0402F2K7	CRGCQ 0402 2K7 1%	PRODUCTION

SCHEDULE

TCPN	CATALOGUE NUMBER	PART DESCRIPTION	PART STATUS
3-2176337-1	CRGCQ0402F3K3	CRGCQ 0402 3K3 1%	PRODUCTION
3-2176337-2	CRGCQ0402F3K9	CRGCQ 0402 3K9 1%	PRODUCTION
3-2176337-3	CRGCQ0402F4K7	CRGCQ 0402 4K7 1%	PRODUCTION
3-2176337-4	CRGCQ0402F5K6	CRGCQ 0402 5K6 1%	PRODUCTION
3-2176337-5	CRGCQ0402F6K8	CRGCQ 0402 6K8 1%	PRODUCTION
3-2176337-6	CRGCQ0402F8K2	CRGCQ 0402 8K2 1%	PRODUCTION
3-2176337-7	CRGCQ0402F10K	CRGCQ 0402 10K 1%	PRODUCTION
3-2176337-8	CRGCQ0402F12K	CRGCQ 0402 12K 1%	PRODUCTION
3-2176337-9	CRGCQ0402F15K	CRGCQ 0402 15K 1%	PRODUCTION
4-2176337-0	CRGCQ0402F18K	CRGCQ 0402 18K 1%	PRODUCTION
4-2176337-1	CRGCQ0402F22K	CRGCQ 0402 22K 1%	PRODUCTION
4-2176337-2	CRGCQ0402F27K	CRGCQ 0402 27K 1%	PRODUCTION
4-2176337-3	CRGCQ0402F33K	CRGCQ 0402 33K 1%	PRODUCTION
4-2176337-4	CRGCQ0402F39K	CRGCQ 0402 39K 1%	PRODUCTION
4-2176337-5	CRGCQ0402F47K	CRGCQ 0402 47K 1%	PRODUCTION
4-2176337-6	CRGCQ0402F56K	CRGCQ 0402 56K 1%	PRODUCTION
4-2176337-7	CRGCQ0402F68K	CRGCQ 0402 68K 1%	PRODUCTION
4-2176337-8	CRGCQ0402F82K	CRGCQ 0402 82K 1%	PRODUCTION
4-2176337-9	CRGCQ0402F100K	CRGCQ 0402 100K 1%	PRODUCTION
5-2176337-0	CRGCQ0402F120K	CRGCQ 0402 120K 1%	PRODUCTION
5-2176337-1	CRGCQ0402F150K	CRGCQ 0402 150K 1%	PRODUCTION
5-2176337-2	CRGCQ0402F180K	CRGCQ 0402 180K 1%	PRODUCTION
5-2176337-3	CRGCQ0402F220K	CRGCQ 0402 220K 1%	PRODUCTION
5-2176337-4	CRGCQ0402F270K	CRGCQ 0402 270K 1%	PRODUCTION
5-2176337-5	CRGCQ0402F330K	CRGCQ 0402 330K 1%	PRODUCTION
5-2176337-6	CRGCQ0402F390K	CRGCQ 0402 390K 1%	PRODUCTION
5-2176337-7	CRGCQ0402F470K	CRGCQ 0402 470K 1%	PRODUCTION
5-2176337-8	CRGCQ0402F560K	CRGCQ 0402 560K 1%	PRODUCTION
5-2176337-9	CRGCQ0402F680K	CRGCQ 0402 680K 1%	PRODUCTION
6-2176337-0	CRGCQ0402F820K	CRGCQ 0402 820K 1%	PRODUCTION
6-2176337-1	CRGCQ0402F1M0	CRGCQ 0402 1M0 1%	PRODUCTION
6-2176337-2	CRGCQ0402F2K7V	CRGCQ 0402 2K7 1% 2M MOQ	PRODUCTION
6-2176337-3	CRGCQ0402F39KV	CRGCQ 0402 39K 1% 2M MOQ	PRODUCTION

THIS DRAWING IS A CONTROLLED DOCUMENT.

DIMENSIONS: mm	TOLERANCES UNLESS OTHERWISE SPECIFIED:
	0 PLC ±0.5 1 PLC ±0.2 2 PLC ±0.1 3 PLC ± 4 PLC ± ANGLES ±°
MATERIAL	FINISH
-	-

DWN	21MAY2018
CHK	21MAY2018
APVD	21MAY2018
PRODUCT SPEC	
APPLICATION SPEC	
WEIGHT	

TE TE Connectivity

NAME
SMD AEC-Q200 COMPLIANT THICK FILM CHIP RESISTOR TYPE CRGCQ 0402 SERIES

SIZE	CAGE CODE	DRAWING NO	RESTRICTED TO
A3	00779	©-2176337	-