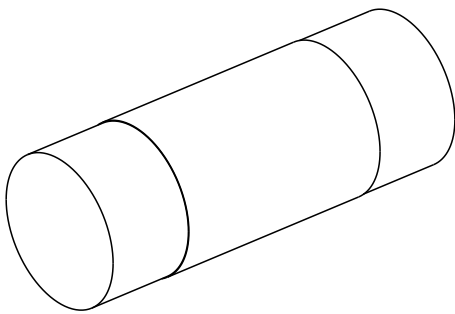
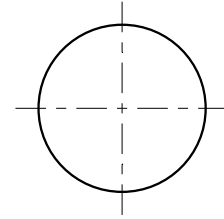
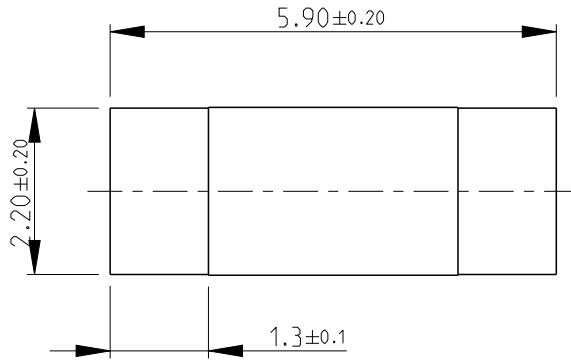


REVISIONS					
P	LTR	DESCRIPTION	DATE	DWN	APVD
	BA	NEW RELEASE	02NOV2017	RK	TN

FOR FURTHER INFORMATION SEE DATA SHEET OF SMA-SERIES MELF RESISTORS



RoHS Compliant


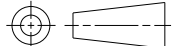
2008

RELEASED FOR PUBLICATION

ALL RIGHTS RESERVED.

THIS DRAWING IS UNPUBLISHED.

© COPYRIGHT 2008

DIMENSIONS:		DWN RAGHAVENDRA.K	02NOV2017	MATERIAL	-	FINISH	-
mm		CHK ALLAN.P	02NOV2017	 TE Connectivity			
TOLERANCES UNLESS OTHERWISE SPECIFIED:		APVD TONY.N	02NOV2017				
0 PLC	±0.2	PRODUCT SPEC	-	NAME MELF RESISTORS SMA-A0207 SERIES			
1 PLC	±0.1	APPLICATION SPEC	-				
2 PLC	±	WEIGHT	-	SIZE	A 4	CAGE CODE	00779
3 PLC	±			DRAWING NO	C=2176316		RESTRICTED TO
4 PLC	±					-	
ANGLES	±5°						
		CUSTOMER DRAWING		SCALE	10:1	SHEET	1 OF 1
						REV	BA