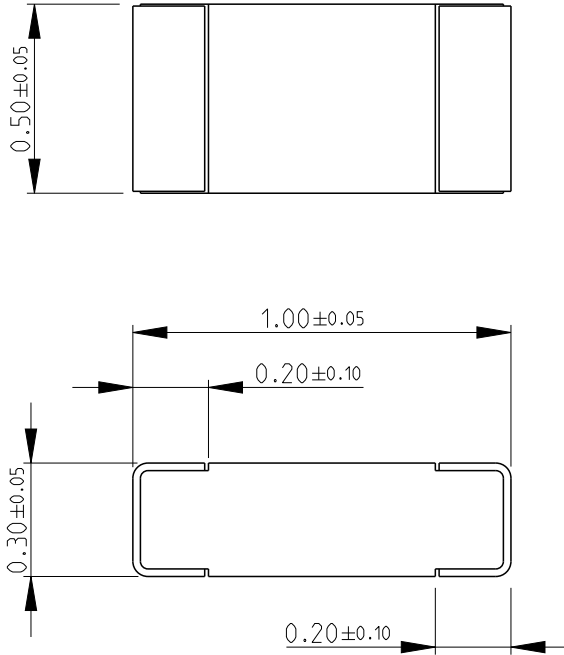
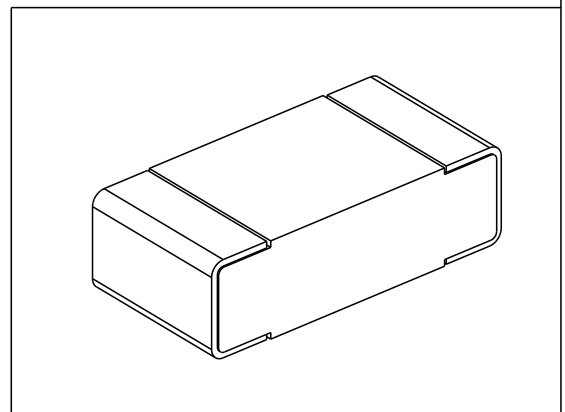


REVISIONS					
P	LTR	DESCRIPTION	DATE	DWN	APVD
	BA	NEW RELEASE	14APR2016	KR	TN

FOR FURTHER INFORMATION SEE DATA SHEET FOR
THIN FILM ULTRA PRECISION CHIP RESISTORS SERIES RU73 0402



RoHS Compliant



2008


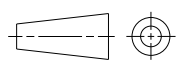
RELEASED FOR PUBLICATION

ALL RIGHTS RESERVED.

BY -

© COPYRIGHT 2008

THIS DRAWING IS UNPUBLISHED.

DIMENSIONS: mm		DWN RAGHAVENDRA.K 14 APR 2016	MATERIAL -	FINISH -		
TOLERANCES UNLESS OTHERWISE SPECIFIED:		CHK ALLAN.P 14 APR 2016	 TE Connectivity			
0 PLC ± 0.2	1 PLC ± 0.1	APVD TONY.N 14 APR 2016			NAME THIN FILM ULTRA PRECISION CHIP RESISTORS SERIES RU73 0402	
2 PLC \pm	3 PLC \pm	PRODUCT SPEC -	SIZE A 4	CAGE CODE 00779	DRAWING NO C-2176265	RESTRICTED TO -
4 PLC \pm	ANGLES $\pm 5^\circ$	APPLICATION SPEC -	SCALE 50:1		SHEET 1 OF 1	REV BA
		WEIGHT -	CUSTOMER DRAWING			