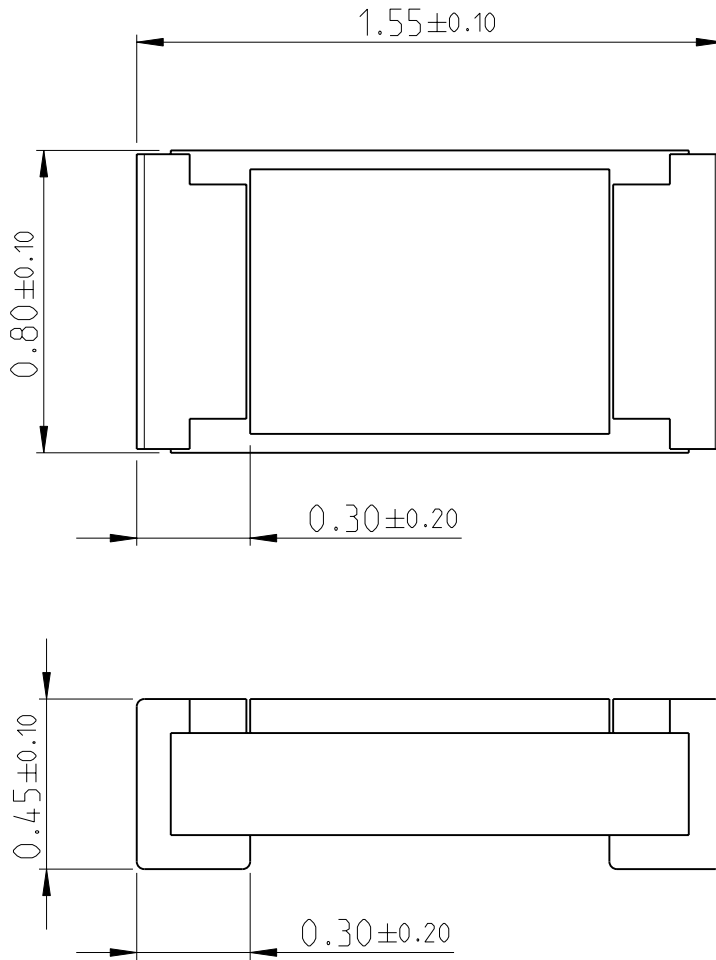
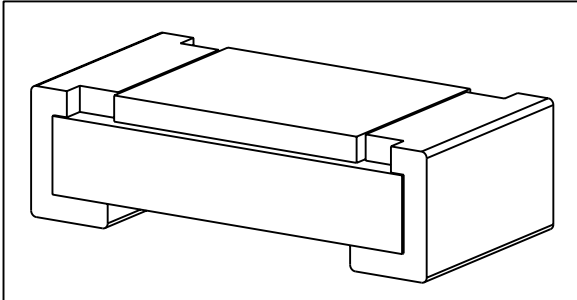


LOC	DIST	REVISIONS					
-	-	P	LTR	DESCRIPTION	DATE	DWN	APVD
		BA		NEW DRAWING	25APR2012	KR	St.P



FOR FURTHER INFORMATION SEE DATA SHEET FOR
SMD HIGH POWER PRECISION RESISTORS - RP73 SERIES

RoHS Compliant



20



RELEASED FOR PUBLICATION

ALL RIGHTS RESERVED.

THIS DRAWING IS UNPUBLISHED.

BY -

© COPYRIGHT 20

DIMENSIONS:	DWN	25APR2012	MATERIAL	FINISH		
mm	RAGHAVENDRA K		-	-		
TOLERANCES UNLESS OTHERWISE SPECIFIED:	CHK	25APR2012	 TE Connectivity			
0 PLC ±	ALLAN P					
1 PLC ±0.5	APVD	25APR2012				
2 PLC ±0.13	STEPHEN.P		NAME			
3 PLC ±0.013	PRODUCT SPEC		HIGH POWER PRECISION CHIP RESISTORS - TYPE			
4 PLC ±0.0001	APPLICATION SPEC		RP73P 0603 SERIES			
ANGLES ±	WEIGHT	0.002 Gram	SIZE	CAGE CODE	DRAWING NO	RESTRICTED TO
			A 4	00779	C-2176090	-
CUSTOMER DRAWING			SCALE	SHEET	OF	REV
			40:1	1	1	BA