

4

3

2

1

THIS DRAWING IS UNPUBLISHED.

RELEASED FOR PUBLICATION

2011

LOC

DIST

REVISIONS

© COPYRIGHT 2011

ALL RIGHTS RESERVED.

AI

-

P

LTR

DESCRIPTION

DATE

DWN

APVD

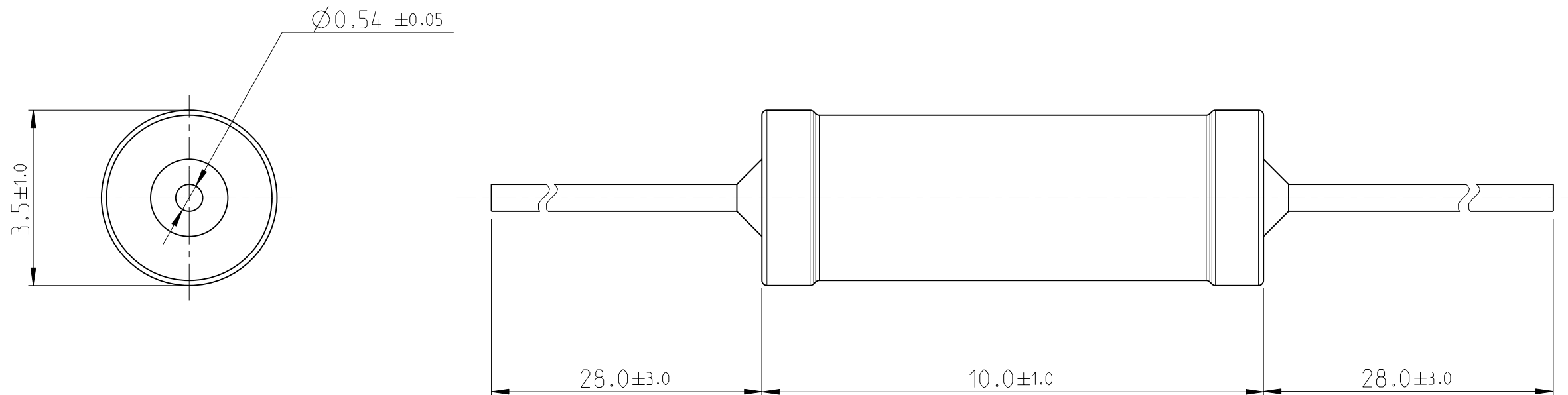
BA

NEW DRAWING

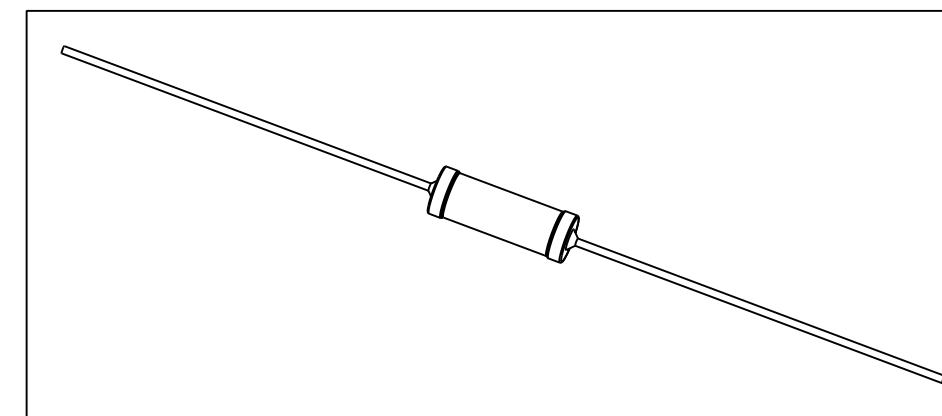
16MAR2012


DMS

ST.P



FOR FUTURE INFORMATION SEE DATA SHEET FOR  
WIREWOUND ANTI-SURGE RESISTOR - EP SERIES



THIS DRAWING IS A CONTROLLED DOCUMENT.		DWN 16MAR2012 DARSHAN.MS	 TE Connectivity	
DIMENSIONS: mm		CHK 16MAR2012 ALLAN.P		
TOLERANCES UNLESS OTHERWISE SPECIFIED:		APVD 16MAR2012 STEPHEN.P	NAME WIREWOUND ANTI-SURGE RESISTOR - TYPE EP 1W - S	
0 PLC $\pm$ 1 PLC $\pm$ 2 PLC $\pm$ 3 PLC $\pm$ 4 PLC $\pm$ ANGLES $\pm 1^\circ$		PRODUCT SPEC -	RESTRICTED TO -	
MATERIAL -		FINISH -	APPLICATION SPEC -	SIZE A3
		WEIGHT 0.89 Gram	CAGE CODE 00779	DRAWING NO C=2176081
CUSTOMER DRAWING			SCALE 1:1	SHEET 1 OF 1
			REV BA	