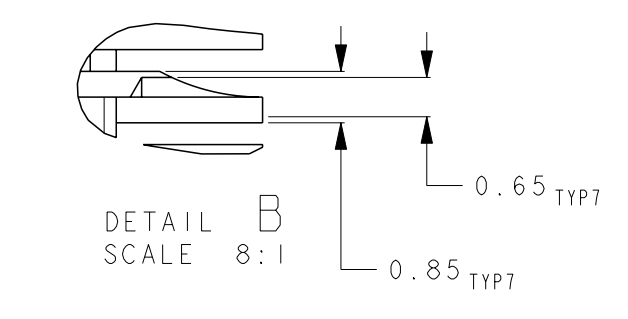
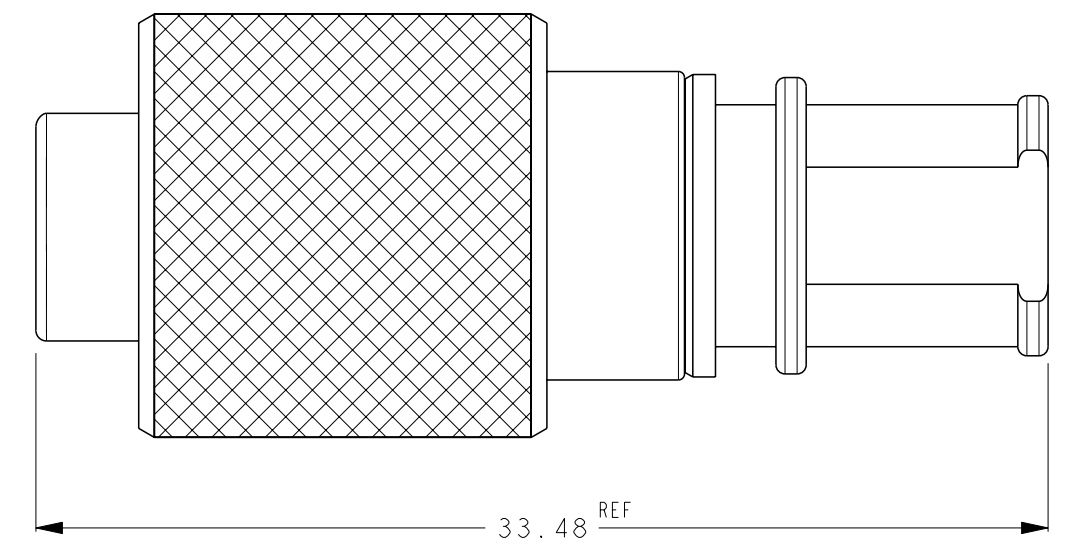
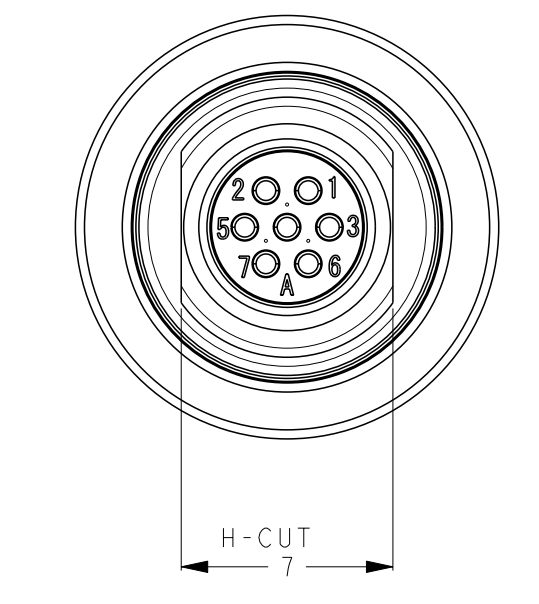
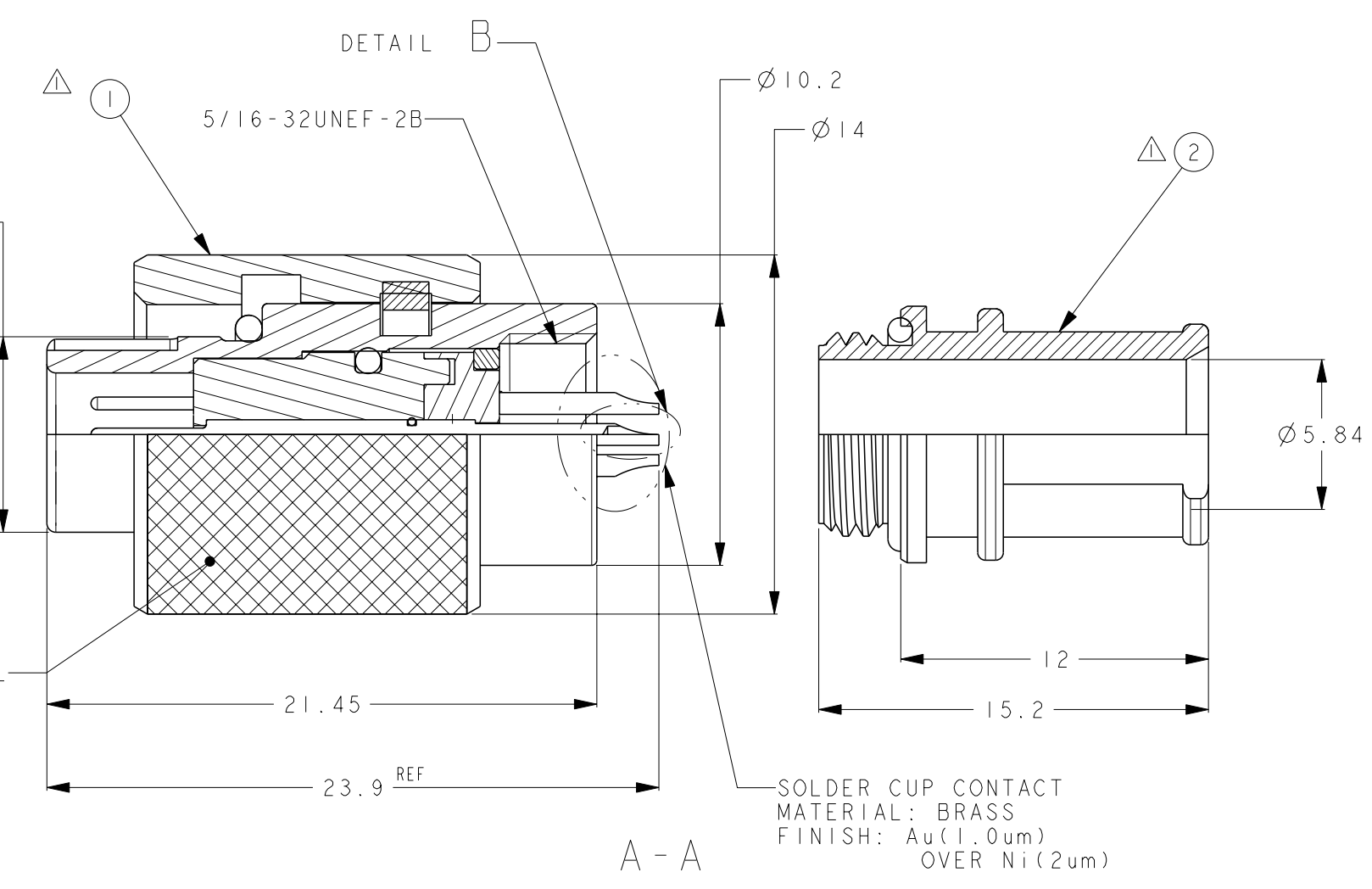
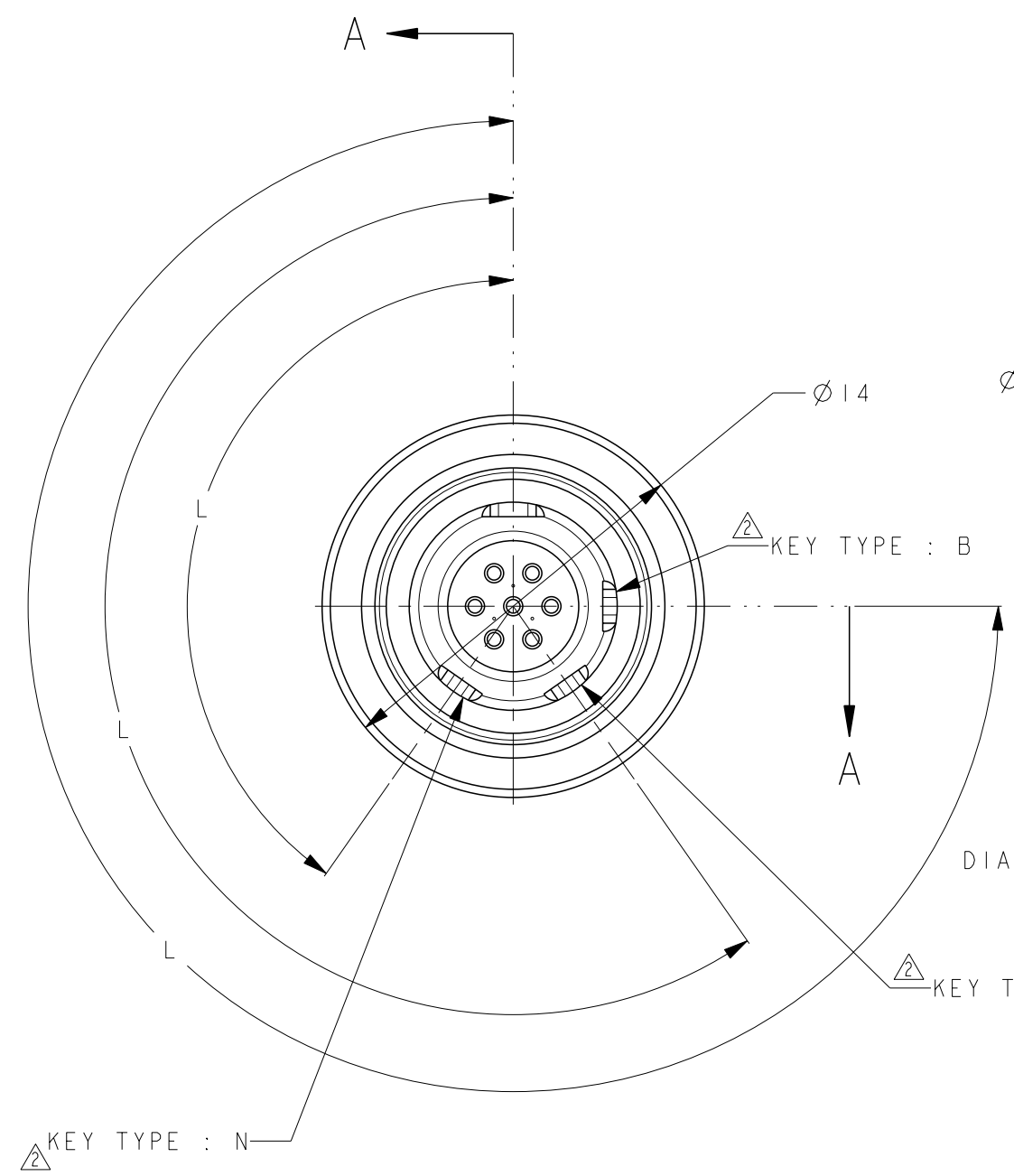


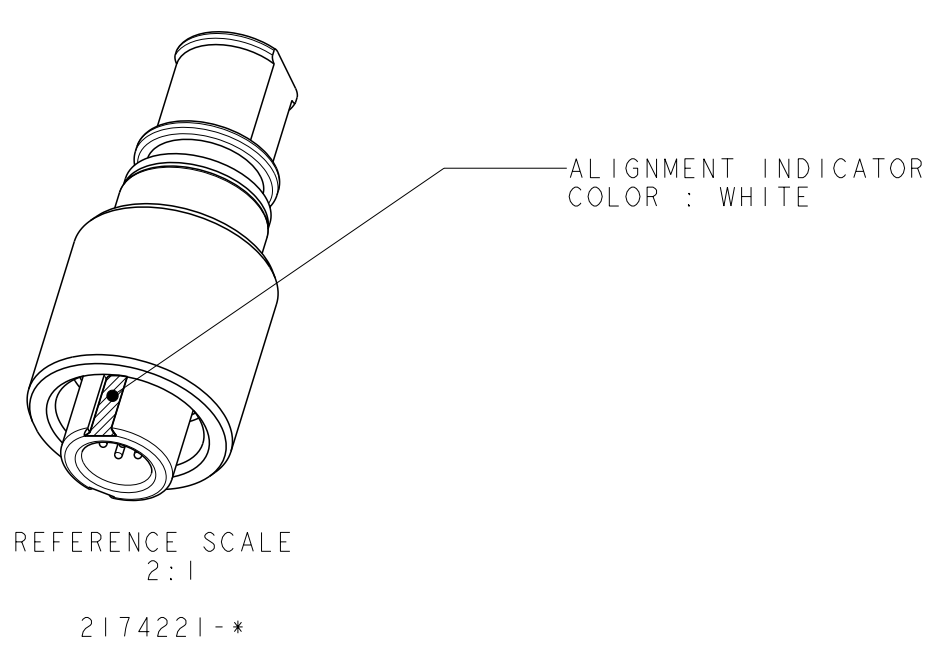
THIS DRAWING IS UNPUBLISHED. RELEASED FOR PUBLICATION XXXXX2012
 © COPYRIGHT 2012 BY Tyco Electronics Japan G.K. ALL RIGHTS RESERVED.

AS SHOWN 2174221-*

LOC		DIST		REVISIONS			
P	LTR	DESCRIPTION	DATE	DWN	APVD		
A	I	REVISED ECR-12-017568	10OCT2012	H.S	T.S		
B		REVISED	10MAR2014	H.S	C.O		



△ MATERIAL: BRASS
 FINISH : BLACK Su-Ni OVER Ni(9 ~ 10um)
 △ KEY POSITION : TYPE N IS NORMAL POSITION.
 OPTION KEY IS TYPE A(-2) AND TYPE B(-3).



REV	REV	REV	REV	REV	REV	REV	REV
1	1	1	2201639-1	7P PLUG ADAPTOR WITH O-RING			2
1	-	-	2201621-3	7P THREAD PLUG PIN SOCKET /SOLDER CUP CONT ASSY TYPE B			1
-	1	-	2201621-2	7P THREAD PLUG PIN SOCKET /SOLDER CUP CONT ASSY TYPE A			1
-	-	1	2201621-1	7P THREAD PLUG PIN SOCKET /SOLDER CUP CONT ASSY TYPE N			1
-3	-2	-1	PART NO.	DESCRIPTION			ITEM NO.

NET WEIGHT [g]	DIM L	DESCRIPTION	PART NO
16.103	270°	TYPE B	2174221-3
16.103	215°	TYPE A	2174221-2
16.103	145°	TYPE N	2174221-1

THIS DRAWING IS A CONTROLLED DOCUMENT.

DWN	T. SUGIYAMA	13 JAN 2012
CHK	T. TONOE	07 MAR 2012
APVD	T. SUGIYAMA	
PRODUCT SPEC	108-78938	
APPLICATION SPEC	114-5503	
WEIGHT	-	

TE Connectivity

NMSMC 7P THREAD PLUG PIN SOCKET / SOLDER CUP CONNECTOR / KIT

Customer Drawing SCALE 4:1 SHEET 1 OF 1 REV B