

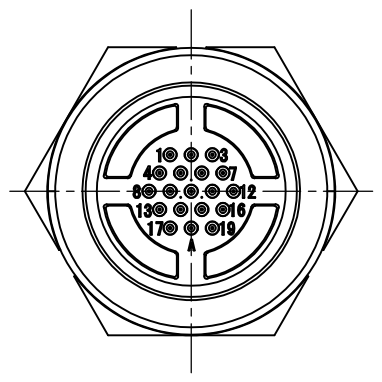
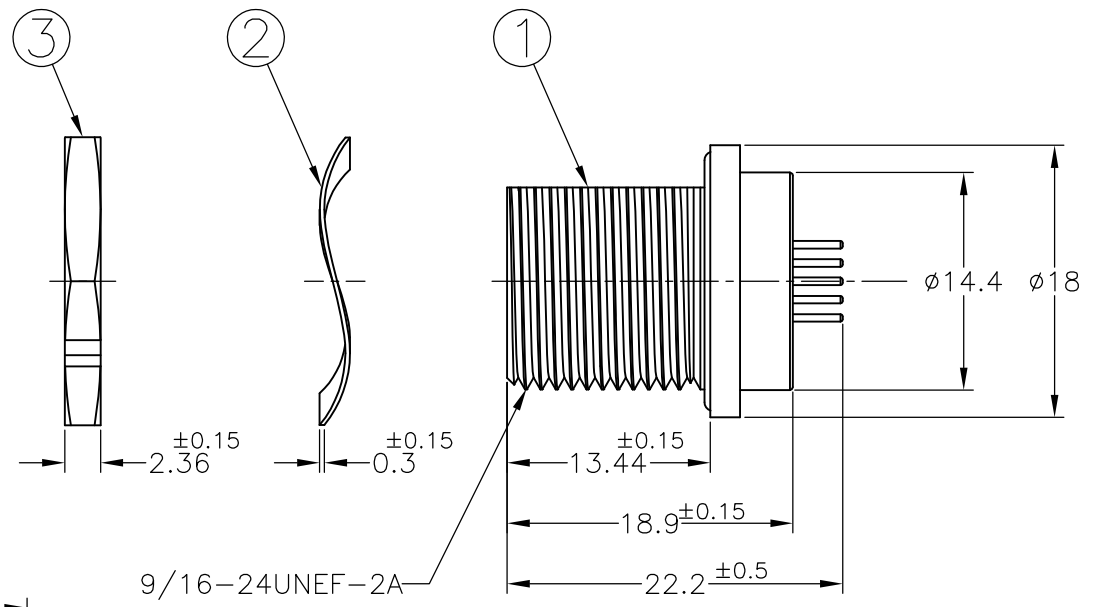
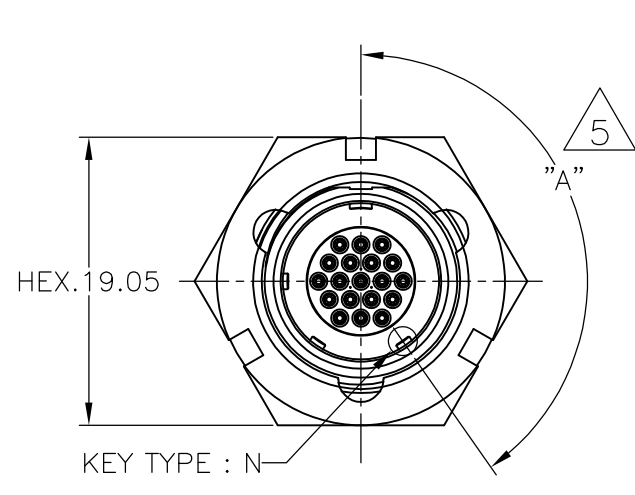
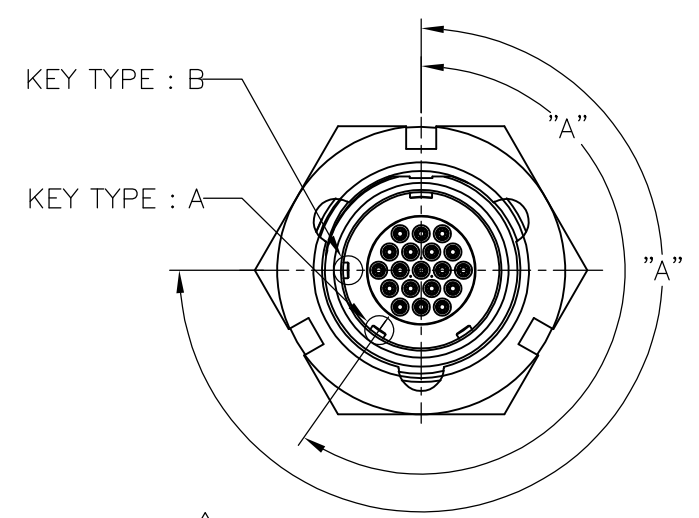
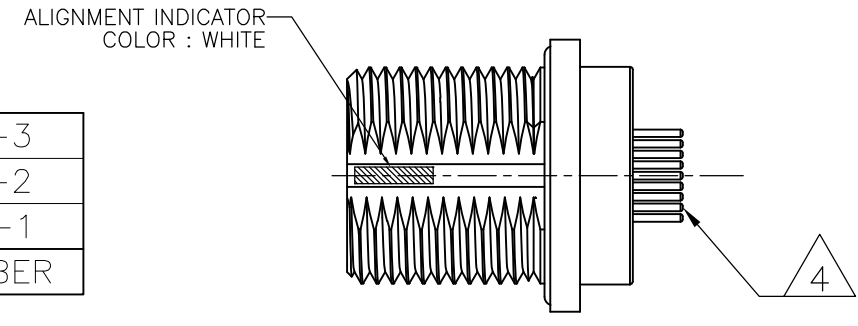
THIS DRAWING IS UNPUBLISHED.      RELEASED FOR PUBLICATION      FEB ,2012.  
 © COPYRIGHT 2012 By Tyco Electronics Japan G.K.      ALL RIGHTS RESERVED.

LOC	DIST	REVISIONS					
		P	LTR	DESCRIPTION	DATE	DWN	APVD
—	—		B1	REVISED	24JUL2015	T.K	C.O

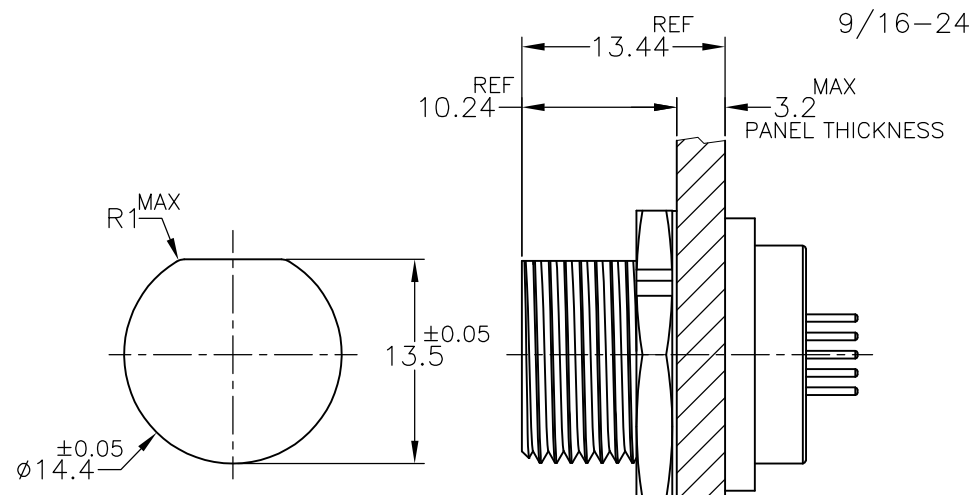
本図 : 2174218-1  
 AS SHOWN:2174218-1

- ① MATERIAL: BRASS
- ② FINISH : BLACK Sn-Ni, OVER Ni (9 ~ 10um)
- ③ FINISH : Ni PLATING (3 ~ 6um)
- ④ FINISH : Au PLATING (1.0um), Ni PLATING (2um MIN.)
- ⑤ KEY OPTION : TYPE N IS NORMAL POSITION.  
 OPTION KEY IS TYPE A(-2) AND TYPE B(-3).

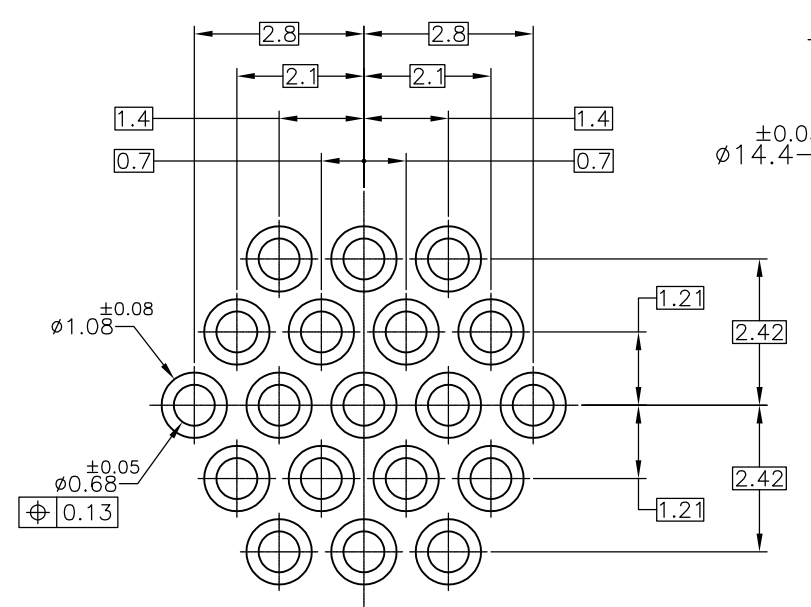
DIM "A"	KEY TYPE	PART NUMBER
270°	TYPE B	2174218-3
215°	TYPE A	2174218-2
145°	TYPE N	2174218-1



⑤ KEY POSITION OPTION



-3	-2	-1	PART NUMBER	ITEM
1	1	1	②	HEX. NUT
1	1	1	③	WAVE SPRING WASHER
1			④	CONNECTOR ASSEMBLY KEY-B
	1		⑤	CONNECTOR ASSEMBLY KEY-A
		1	⑥	CONNECTOR ASSEMBLY KEY-N
QTY			FINISH	ITEM



PCB LAYOUT SCALE 10:1

THIS DRAWING IS A CONTROLLED DOCUMENT.		DWN T.SUGIYAMA 19FEB2012		<b>STE</b> TE Connectivity	
DIMENSIONS: mm		CHK T.TONOBÉ 07MAY2012			
TOLERANCES UNLESS OTHERWISE SPECIFIED: ±0.1		APVD T.SUGIYAMA 07MAY2012		NAME	
θ-PLC ±		PRODUCT SPEC		NMSMC 19P THREADED RECEPTACLE / SOLDER TAIL CONNECTOR KIT	
1-PLC ±		APPLICATION SPEC		SIZE CAGE CODE DRAWING NO RESTRICTED TO	
2-PLC ±		108-78938		A3 00779 C-2174218	
3-PLC ±		114-5503		SCALE 2:1 SHEET 1 OF 1 REV B1	
4-PLC ±		WEIGHT 18.546g			
ANGLES ±5°		CUSTOMER DRAWING			
FINISH -					