

THIS DRAWING IS UNPUBLISHED.

RELEASED FOR PUBLICATION FEB ,2012.

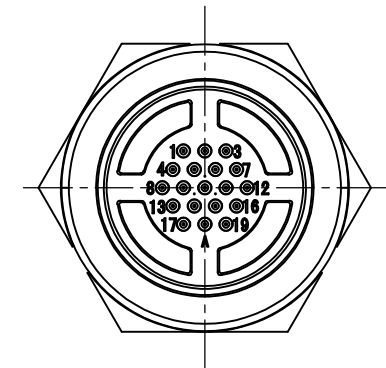
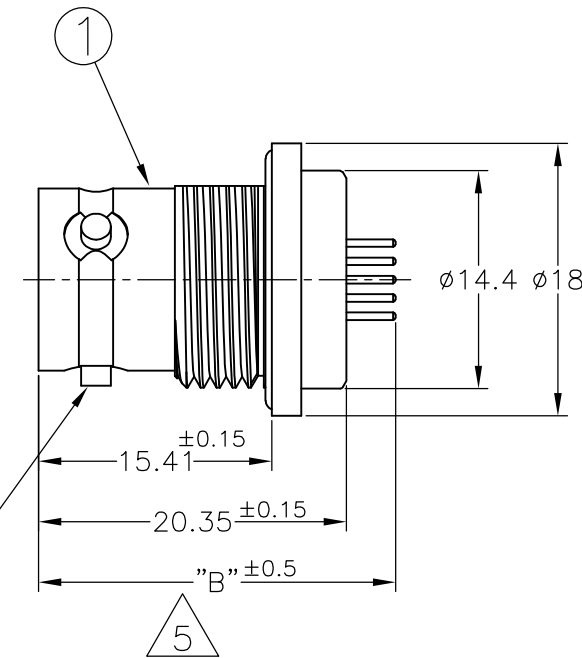
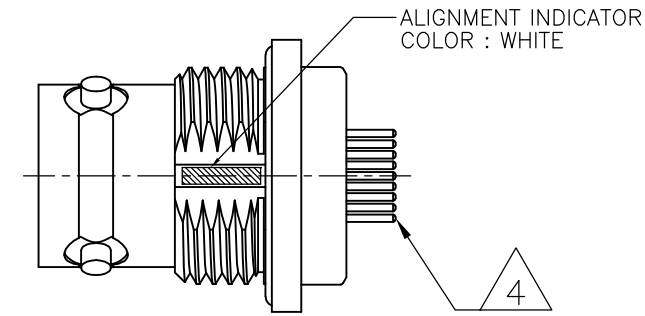
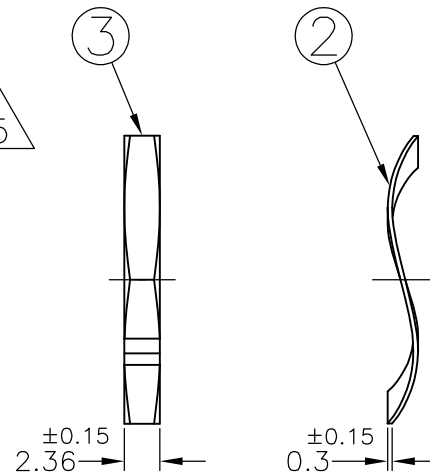
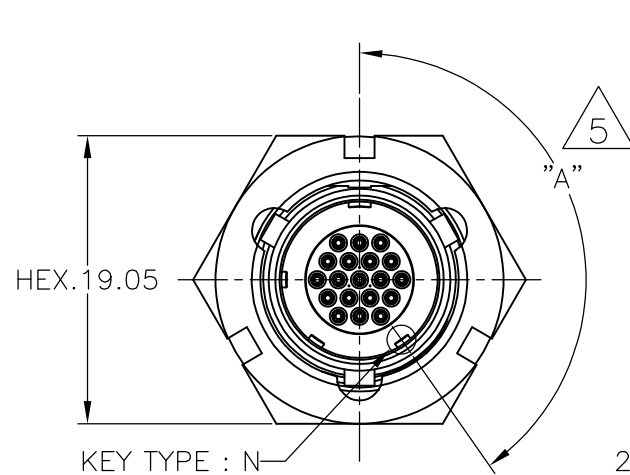
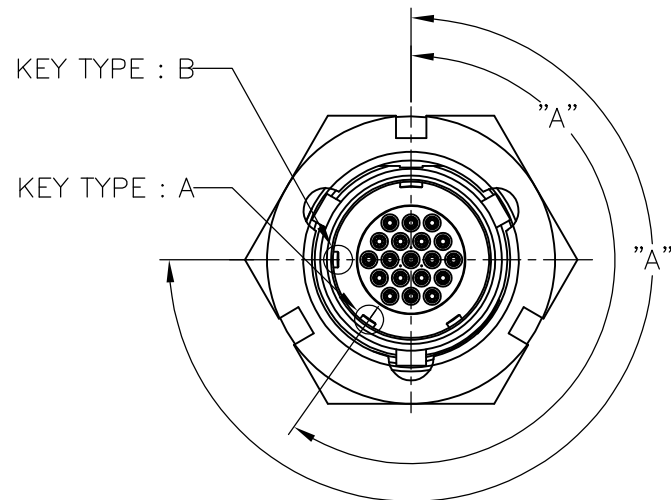
REVISIONS

© COPYRIGHT 2012 By Tyco Electronics Japan G.K.

ALL RIGHTS RESERVED.

P	LTR	DESCRIPTION	DATE	DWN	APVD
	B2	REVISED	21JUL2017	T.F	T.K

本図：2174217-1  
AS SHOWN:2174217-1



5 KEY POSITION OPTION

5 KEY POSITION

215°	TYPE A	1-2174217-2
145°	TYPE N	1-2174217-1
215°	TYPE A	5-2174217-2
145°	TYPE N	5-2174217-1
270°	TYPE B	2174217-3
215°	TYPE A	2174217-2
145°	TYPE N	2174217-1
DIM "A"	KEY TYPE	PART NUMBER

1-#-2	1-#-1	5-#-2	5-#-1	-3	-2	-1	PART NUMBER	ITEM
		1	1	1	1	1	△2	HEX. NUT
1	1	1	1	1	1	1	△3	WAVE SPRING WASHER
		1	1				△2	CONNECTOR ASSEMBLY KEY-A2
				1				CONNECTOR ASSEMBLY KEY-N2
					1			CONNECTOR ASSEMBLY KEY-B
						1		CONNECTOR ASSEMBLY KEY-A
	1							CONNECTOR ASSEMBLY KEY-N
QTY							FINISH	ITEM

6 DIMENSION

23.6	1-2174217-2
23.6	1-2174217-1
25.3	5-2174217-2
25.3	5-2174217-1
23.6	2174217-3
23.6	2174217-2
23.6	2174217-1
DIM "B"	PART NUMBER

THIS DRAWING IS A CONTROLLED DOCUMENT.

DIMENSIONS:	TOLERANCES UNLESS OTHERWISE SPECIFIED:
mm	±0.1
	0-PLC ±
	1-PLC ±
	2-PLC ±
	3-PLC ±
	4-PLC ±
	ANGLES ±5°
MATERIAL	FINISH
△1	-

DWN	T.SUGIYAMA	19FEB2012
CHK	T.TONOBÉ	07MAY2012
APVD	T.SUGIYAMA	07MAY2012
PRODUCT SPEC	108-78938	
APPLICATION SPEC	114-5503	
WEIGHT	16.6	
CUSTOMER DRAWING		



NAME				NMSMC 19P BAYONET RECE PIN SOCKET / SOLDER TAIL CONNECTOR KIT	
SIZE	CAGE CODE	DRAWING NO	RESTRICTED TO		
A3	00779	C-2174217	-		
SCALE		SHEET	REV		
2:1		1 OF 2	B2		

THIS DRAWING IS UNPUBLISHED.

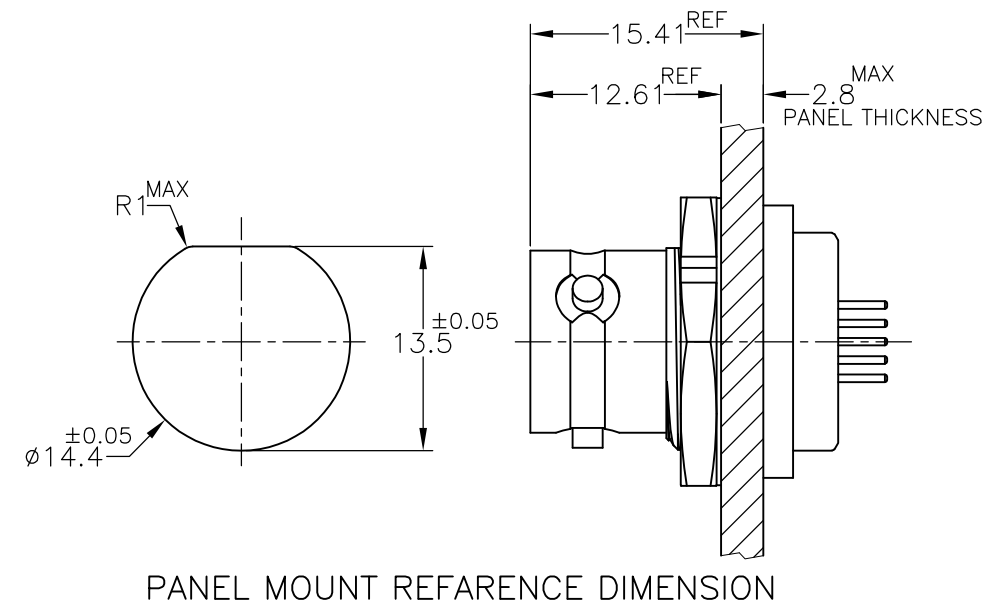
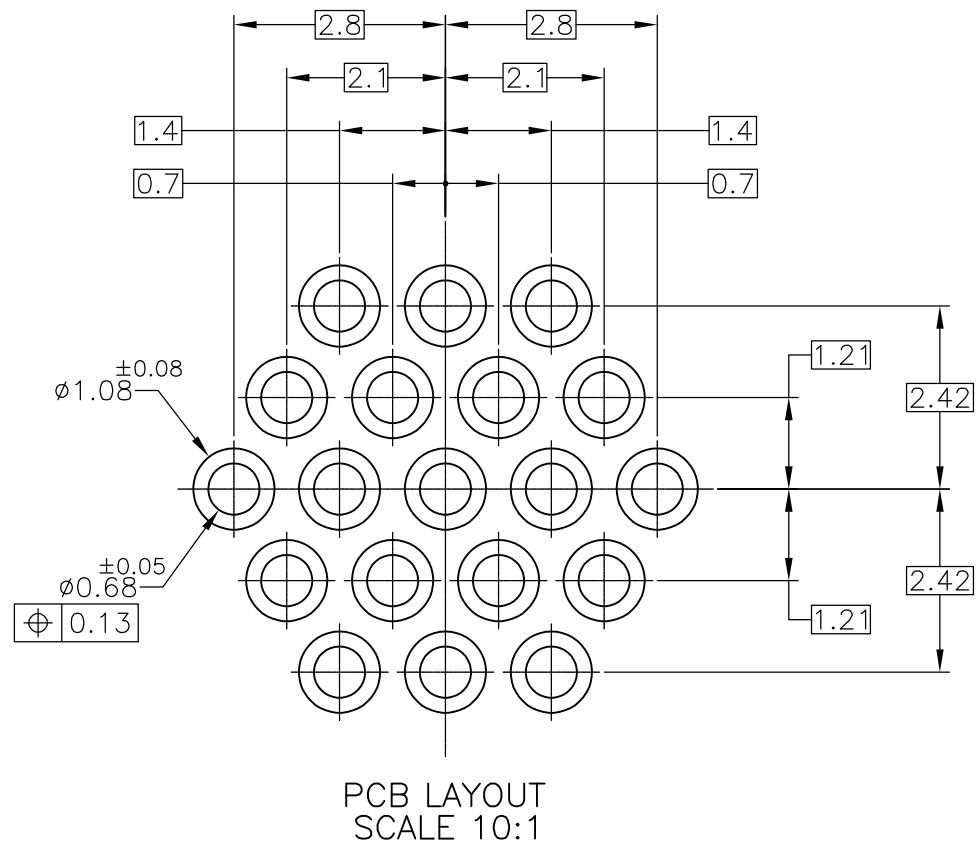
RELEASED FOR PUBLICATION FEB ,2012.


© COPYRIGHT 2012 By Tyco Electronics Japan G.K.

ALL RIGHTS RESERVED.

REVISIONS

P	LTR	DESCRIPTION	DATE	DWN	APVD
-	-	SEE SHEET 1	-	-	-



THIS DRAWING IS A CONTROLLED DOCUMENT.		DWN T.SUGIYAMA 19FEB2012	 <b>TE Connectivity</b>			
DIMENSIONS: mm		CHK T.TONOBÉ 07MAY2012				
TOLERANCES UNLESS OTHERWISE SPECIFIED: ±0.1		APVD T.SUGIYAMA 07MAY2012	NAME NMSMC 19P BAYONET RECE PIN SOCKET / SOLDER TAIL CONNECTOR KIT			
<ul style="list-style-type: none"> <li>Ø - PLC ±</li> <li>1 - PLC ±</li> <li>2 - PLC ±</li> <li>3 - PLC ±</li> <li>4 - PLC ±</li> <li>ANGLES ±5°</li> </ul>		PRODUCT SPEC 108-78938	RESTRICTED TO -			
MATERIAL -		FINISH -	APPLICATION SPEC 114-5503	SIZE A3	CAGE CODE 00779	DRAWING NO C-2174217
CUSTOMER DRAWING			WEIGHT 16.6	SCALE 2:1	SHEET 2 OF 2	REV B2