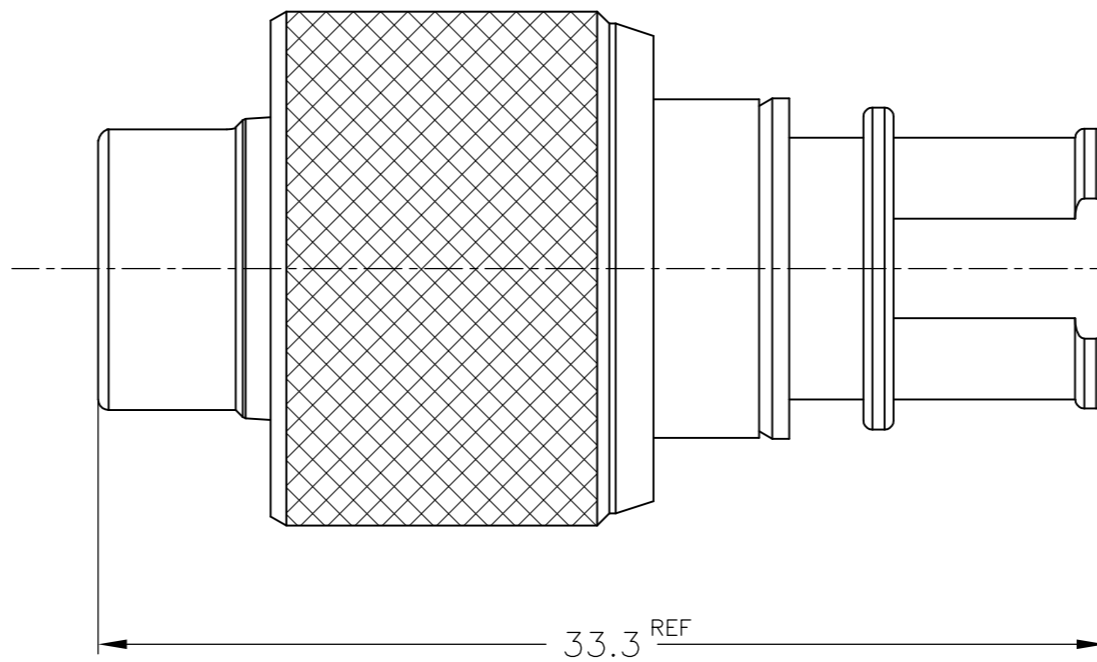
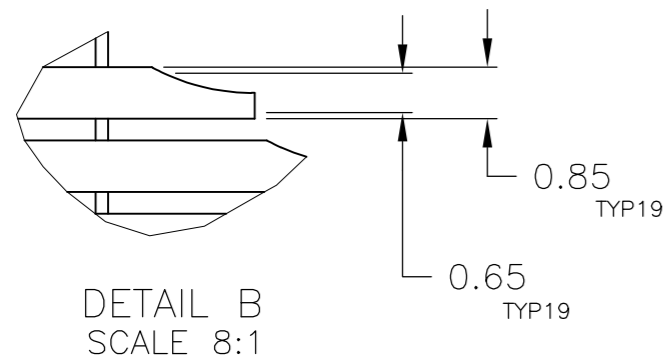
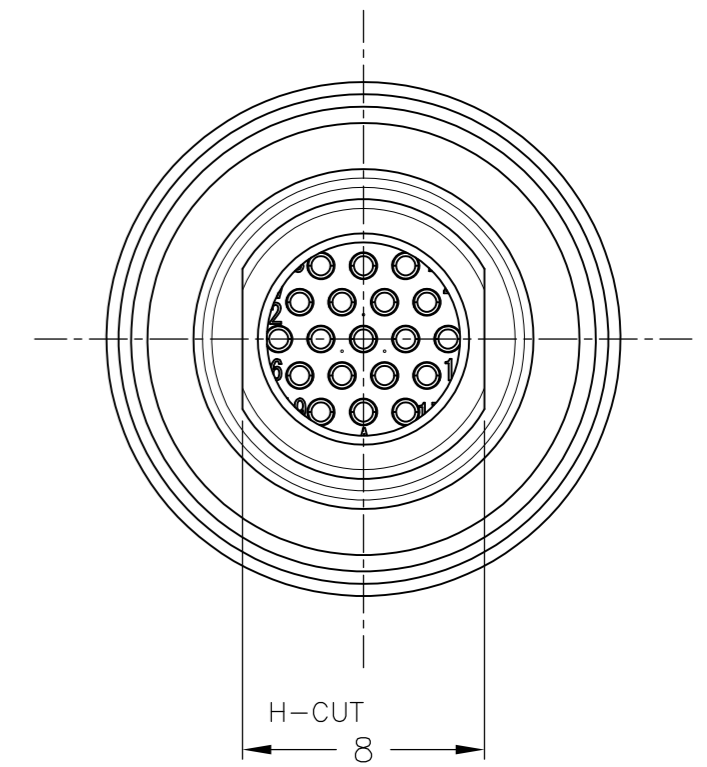
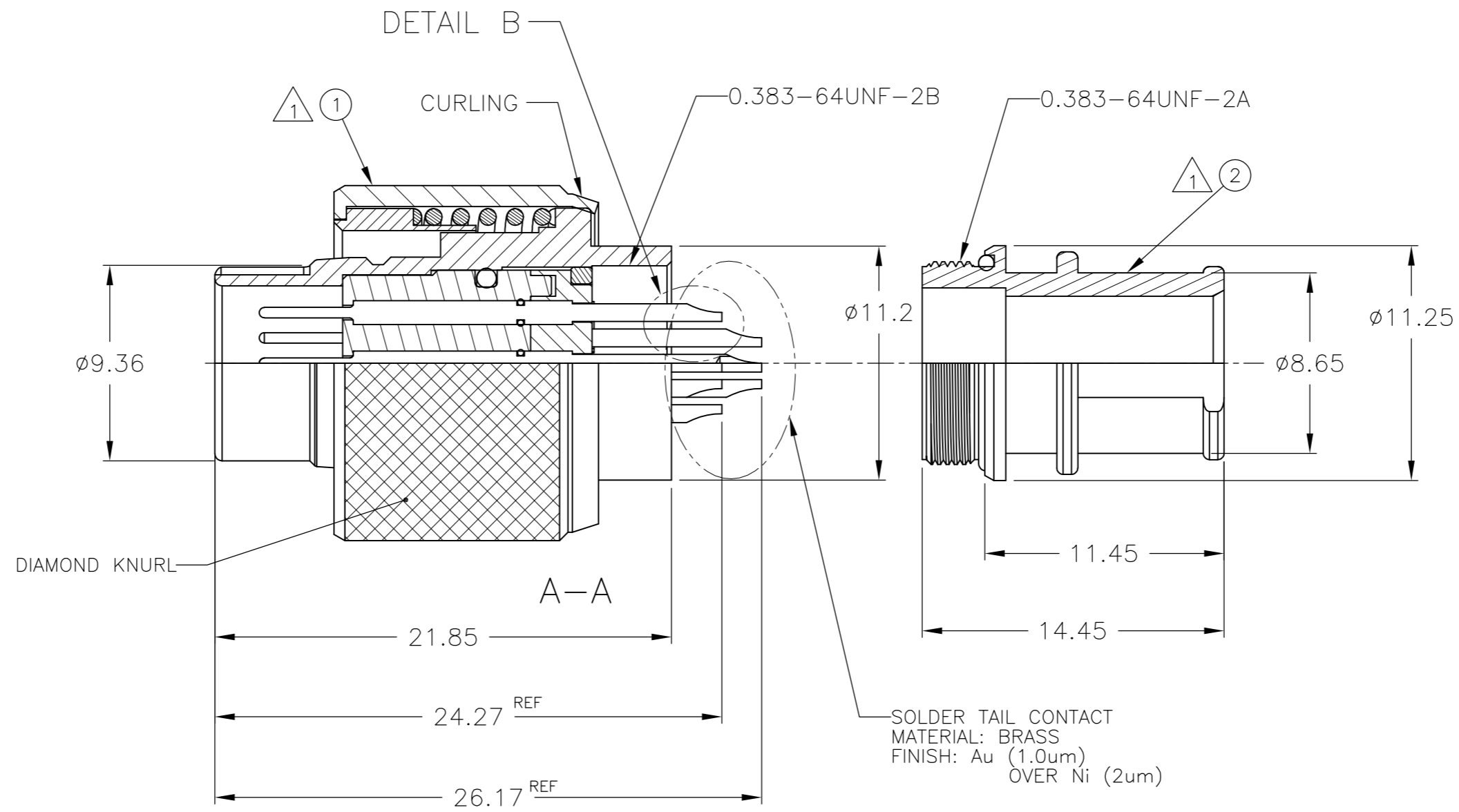
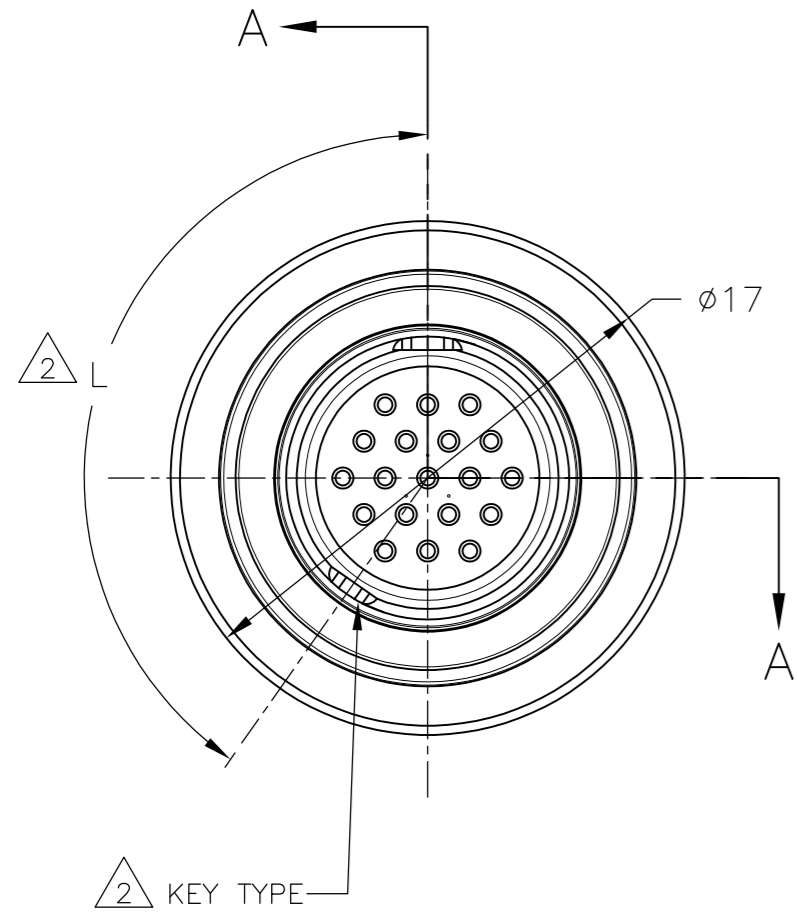


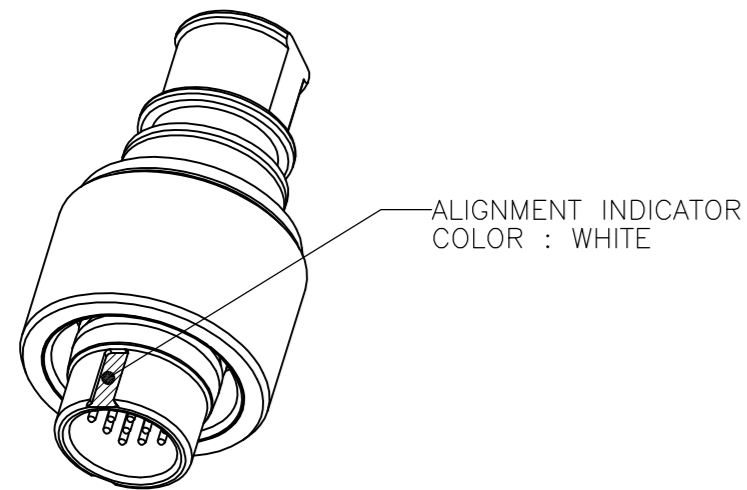
AS SHOWN 2174210-*

LOC	DIST	REVISIONS			
P	LTR	DESCRIPTION	DATE	DWN	APVD
J					
C		REVISED	02MAY2014	H.S	C.O



△ MATERIAL: BRASS
 FINISH : BLACK Su-Ni OVER Ni.
 △ KEY POSITION: TYPE N IS NORMAL POSITION.
 OPTION KEY IS TYPE A (-2) AND TYPE B (-3).

270°	TYPE B	2174210-3
215°	TYPE A	2174210-2
145°	TYPE N	2174210-1
△DIM L	DESCRIPTION	PART NO.



REFERENCE SCALE 2:1
2174210-1

1	1	1	19P PLUG ADAPTOR WITH O-RING	②
1	-	-	19P PUSH-PULL PLUG PIN SOCKET/SOLDER CUP CONT ASSY TYPE B	①
-	1	-	19P PUSH-PULL PLUG PIN SOCKET/SOLDER CUP CONT ASSY TYPE A	①
-	-	1	19P PUSH-PULL PLUG PIN SOCKET/SOLDER CUP CONT ASSY TYPE N	①
-3	-2	-1	DESCRIPTION	ITEM NO.

QTY REQ. PER ASSY		PARTS LIST	
THIS DRAWING IS A CONTROLLED DOCUMENT.			
DIMENSIONS:	TOLERANCES UNLESS OTHERWISE SPECIFIED:	DWN	03FEB2012
mm	±0.1	T.SUGIYAMA	
		CHK	03FEB2012
		T.TONOBÉ	
		APVD	03FEB2012
		T.SUGIYAMA	
		PRODUCT SPEC	
		108-78938	
		APPLICATION SPEC	
		114-5503	
MATERIAL	FINISH	WEIGHT	21.456g
		CUSTOMER DRAWING	
		SIZE	A2
		CAGE CODE	00779
		DRAWING NO	C=2174210
		RESTRICTED TO	
		SCALE	4:1
		SHEET	1 of 1
		REV	C