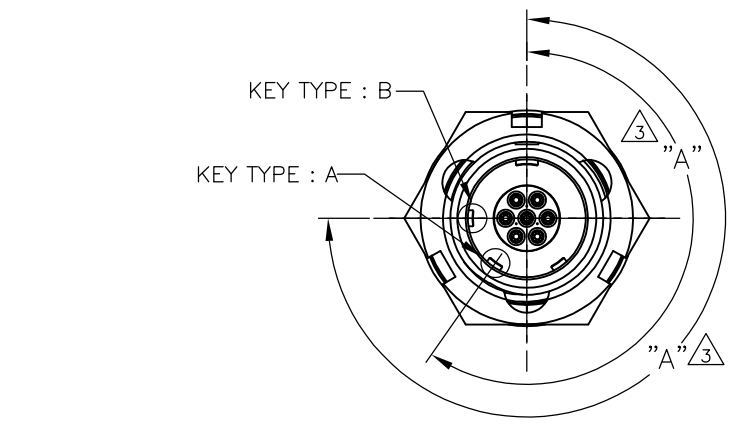


THIS DRAWING IS UNPUBLISHED. RELEASED FOR PUBLICATION FEB. 2012.
 © COPYRIGHT 2012 By Tyco Electronics Japan G.K. ALL RIGHTS RESERVED.

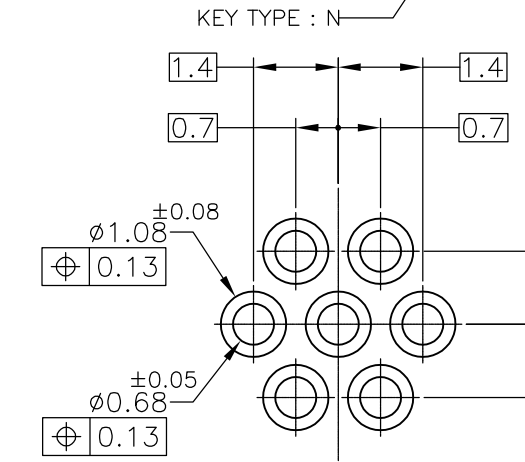
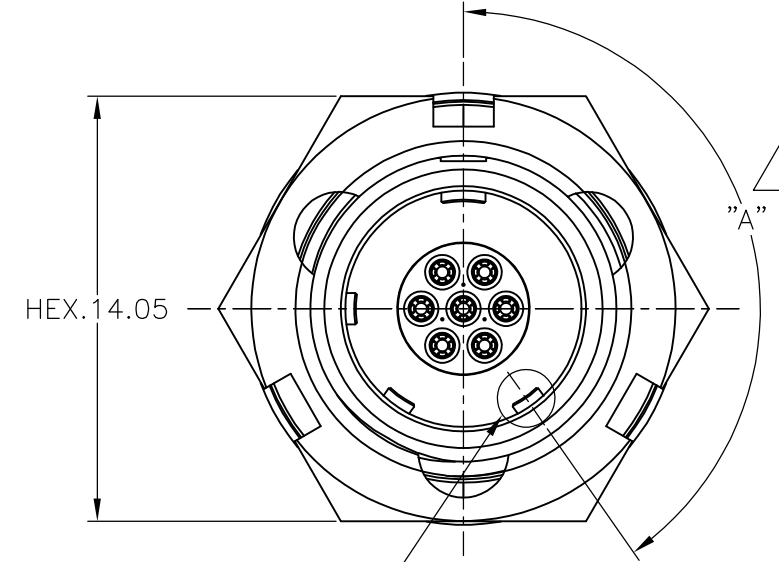
LOC	DIST	REVISIONS			
P	LTR	DESCRIPTION	DATE	DWN	APVD
—	—	A3 REVISED	24JUL2015	T.K	C.O

本図: 2174209-1
 AS SHOWN: 2174209-1

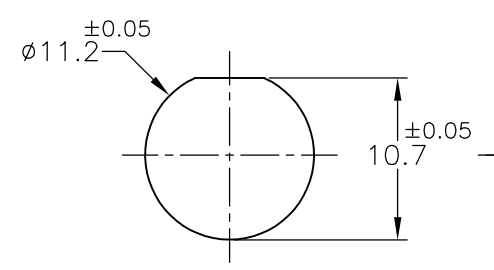
- ① MATERIAL: BRASS
FINISH: BLACK Sn-Ni, OVER Ni (9 ~ 10um)
- ② MATERIAL: BRASS
FINISH: Ni PLATING (3 ~ 6um)
- ③ KEY OPTION: TYPE N IS NORMAL POSITION.
OPTION KEY IS TYPE A(-2) AND TYPE B(-3).



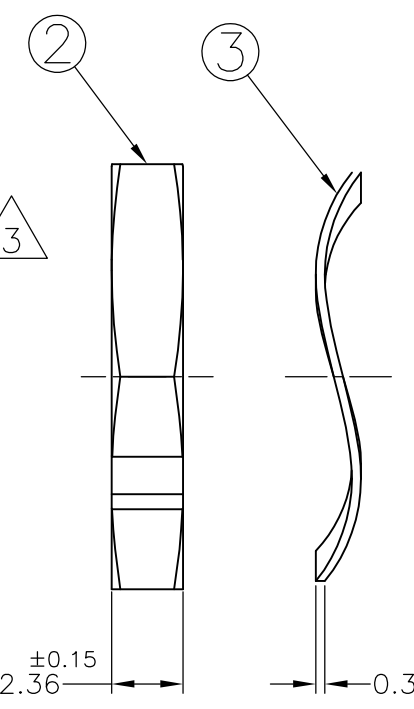
KEY POSITION OPTION SCALE 2:1



PCB LAYOUT SCALE 8:1

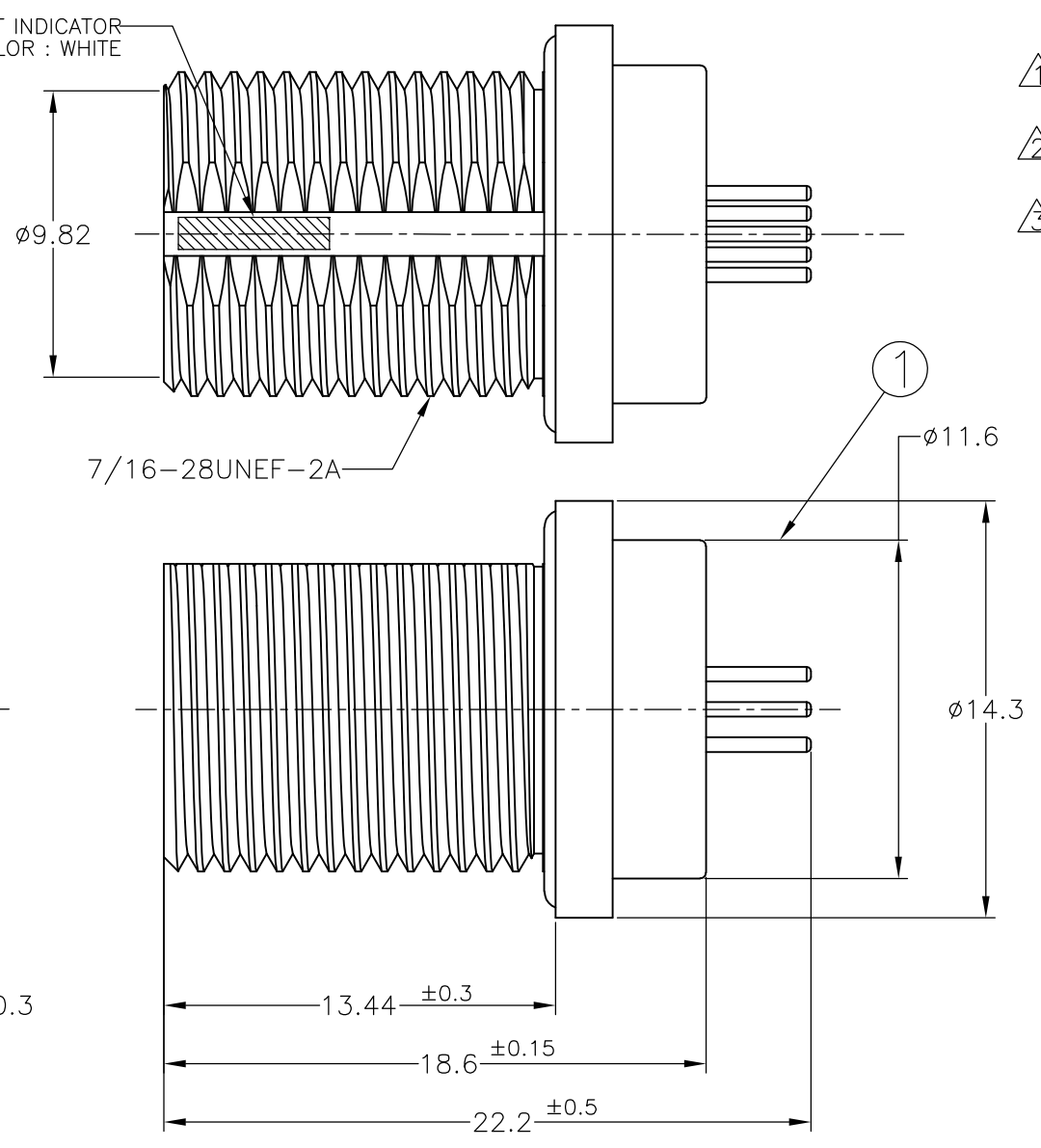


PANEL MOUNT REFERENCE DIMENSION SCALE 2:1



③ KEY POSITION

270°	TYPE B	2174209-3
215°	TYPE A	2174209-2
145°	TYPE N	2174209-1
DIM "A"	KEY TYPE	PART NUMBER



-3	-2	-1	PART NUMBER	ITEM
1	1	1	②	HEX. NUT
1	1	1	③	WAVE SPRING WASHER
1				CONNECTOR ASSEMBLY KEY-B
	1		①	CONNECTOR ASSEMBLY KEY-A
		1		CONNECTOR ASSEMBLY KEY-N
QTY			FINISH	ITEM

THIS DRAWING IS A CONTROLLED DOCUMENT.		DWN T.SUGIYAMA 19FEB2012	TE Connectivity	
DIMENSIONS: mm		CHK T.TONOBÉ 07MAY2012		
TOLERANCES UNLESS OTHERWISE SPECIFIED: ±0.1		APVD T.SUGIYAMA 07MAY2012	NAME	
0-PLC ± 1-PLC ± 2-PLC ± 3-PLC ± 4-PLC ± ANGLES ±5°		PRODUCT SPEC 108-78938	NMSMC 7P THREAD RECE PROBE / SOLDER TAIL CONNECTOR KIT	
MATERIAL ①		FINISH -	APPLICATION SPEC 114-5503	RESTRICTED TO -
		WEIGHT 10.988g	SIZE A3	CAGE CODE 00779
		CUSTOMER DRAWING	DRAWING NO C-2174209	SCALE 4:1
			SHEET 1 OF 1	REV A3