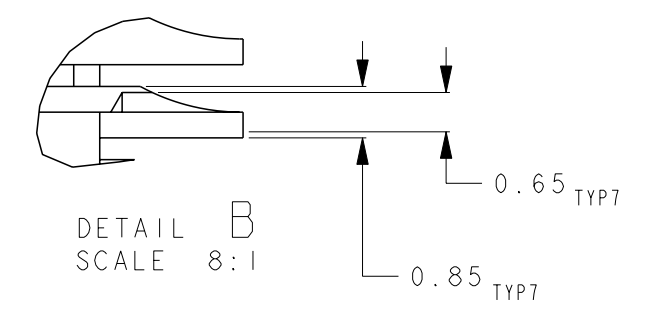
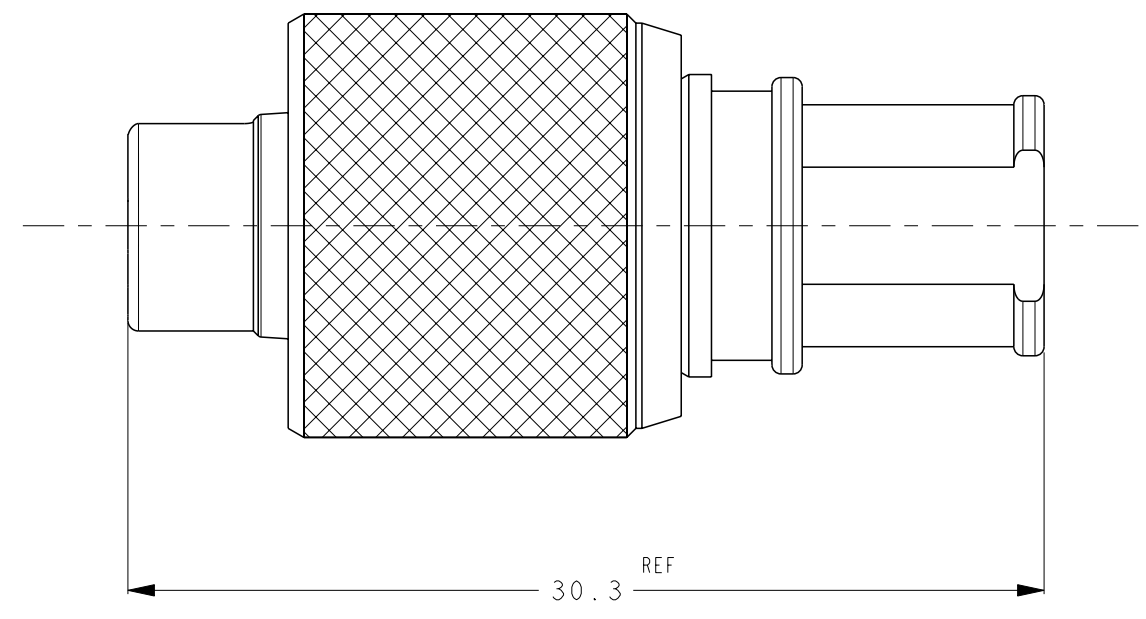
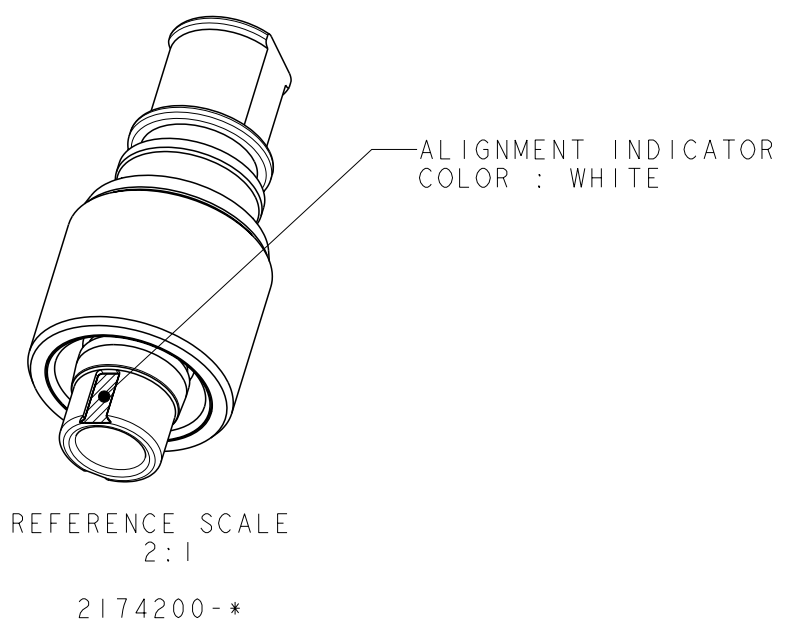
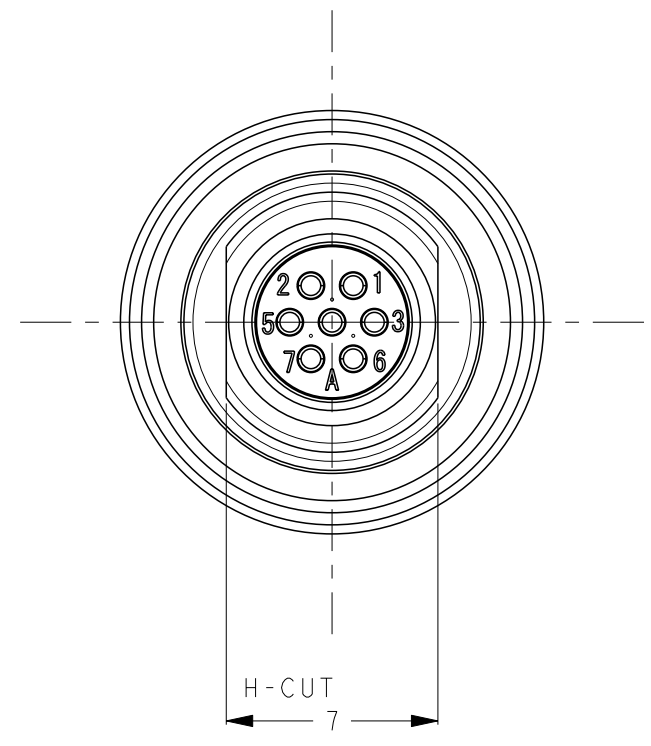
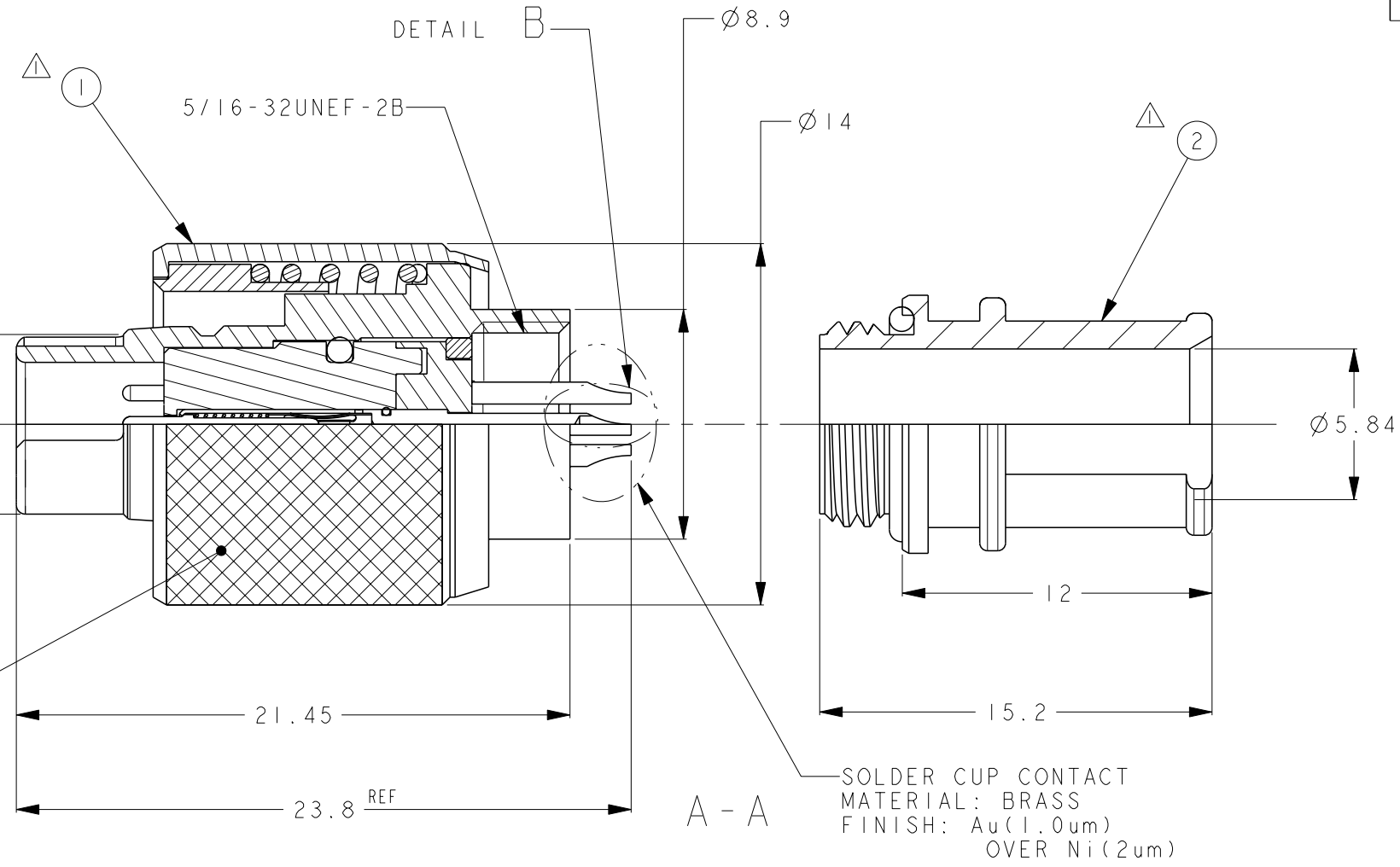
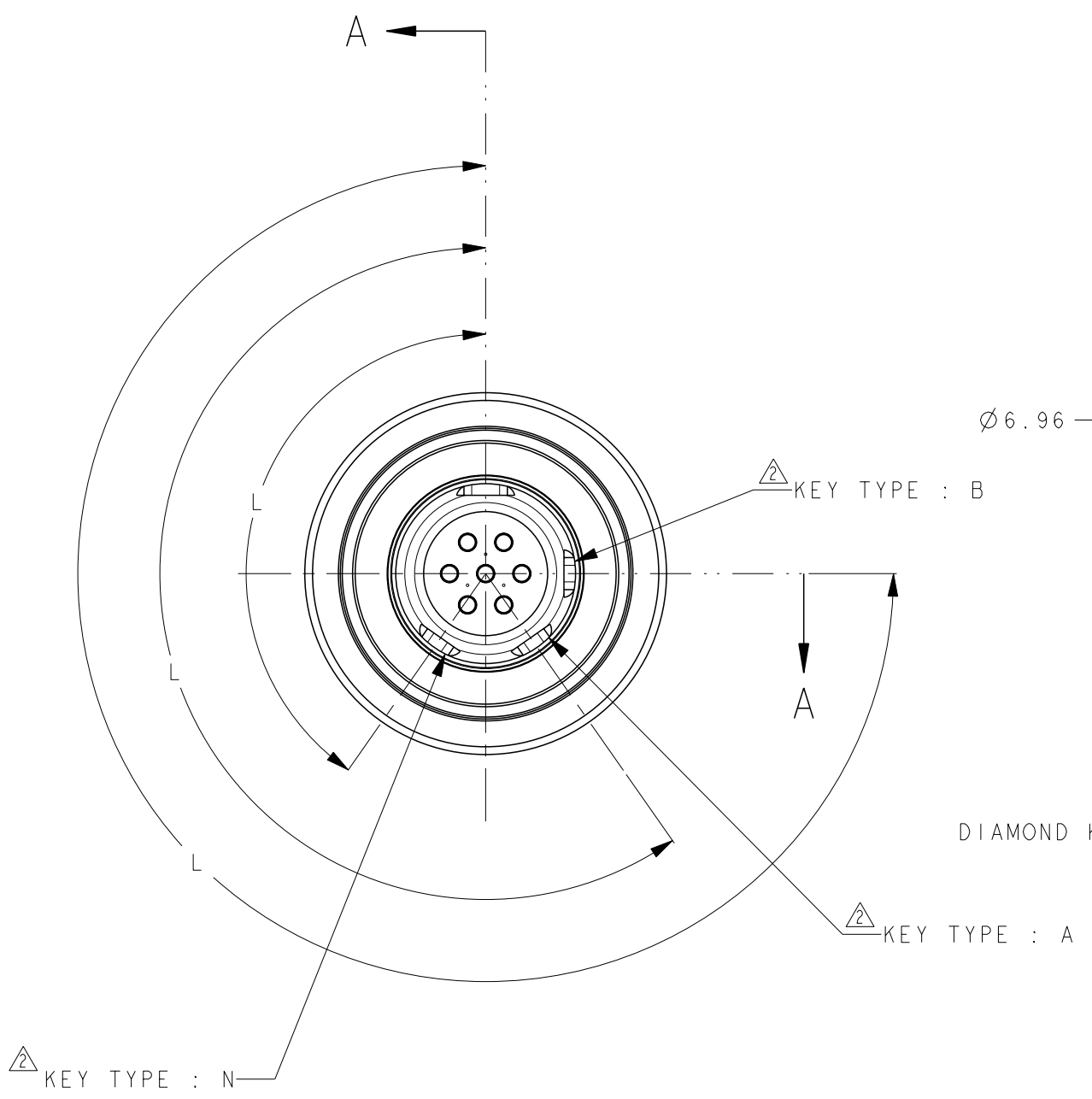


THIS DRAWING IS UNPUBLISHED. RELEASED FOR PUBLICATION XXXXX2012
 © COPYRIGHT 2012 BY Tyco Electronics Japan G.K. ALL RIGHTS RESERVED.

AS SHOWN 2174200-*

REVISIONS					
P	LTR	DESCRIPTION	DATE	DWN	APVD
B		REVISED	10MAR2014	H.S	C.O



△ MATERIAL: BRASS
 FINISH : BLACK Su-Ni OVER Ni(9 ~ 10um)
 △ KEY POSITION : TYPE N IS NORMAL POSITION.
 OPTION KEY IS TYPE A(-2) AND TYPE B(-3).

1	1	1	2201639-1	7P PLUG ADAPTOR WITH O-RING	2
1	-	-	2201616-3	7P PUSH-PULL PLUG SPRING PROBE /SOLDER CUP CONT ASSY TYPE B	1
-	1	-	2201616-2	7P PUSH-PULL PLUG SPRING PROBE /SOLDER CUP CONT ASSY TYPE A	1
-	-	1	2201616-1	7P PUSH-PULL PLUG SPRING PROBE /SOLDER CUP CONT ASSY TYPE N	1
-3	-2	-1	PART NO.	DESCRIPTION	ITEM NO.

REVISION OF EACH ASSY NO. (WHEN BLANK, USE DRAWING REVISION)

PART LIST

NET WEIGHT [g]	DIM L	DESCRIPTION	PART NO
13.471	270°	TYPE B	2174200-3
13.471	215°	TYPE A	2174200-2
13.471	145°	TYPE N	2174200-1

THIS DRAWING IS A CONTROLLED DOCUMENT.

DWN: T. SUGIYAMA 13 JAN 2012
 CHK: T. TONOE 07 MAR 2012
 APVD: T. SUGIYAMA

TE Connectivity

NMSMC 7P PUSH-PULL PLUG SPRING PROBE / SOLDER CUP CONNECTOR / KIT

108-78938
 114-5503

Customer Drawing

SCALE: 1:1 SHEET: 1 OF 1 REV: B