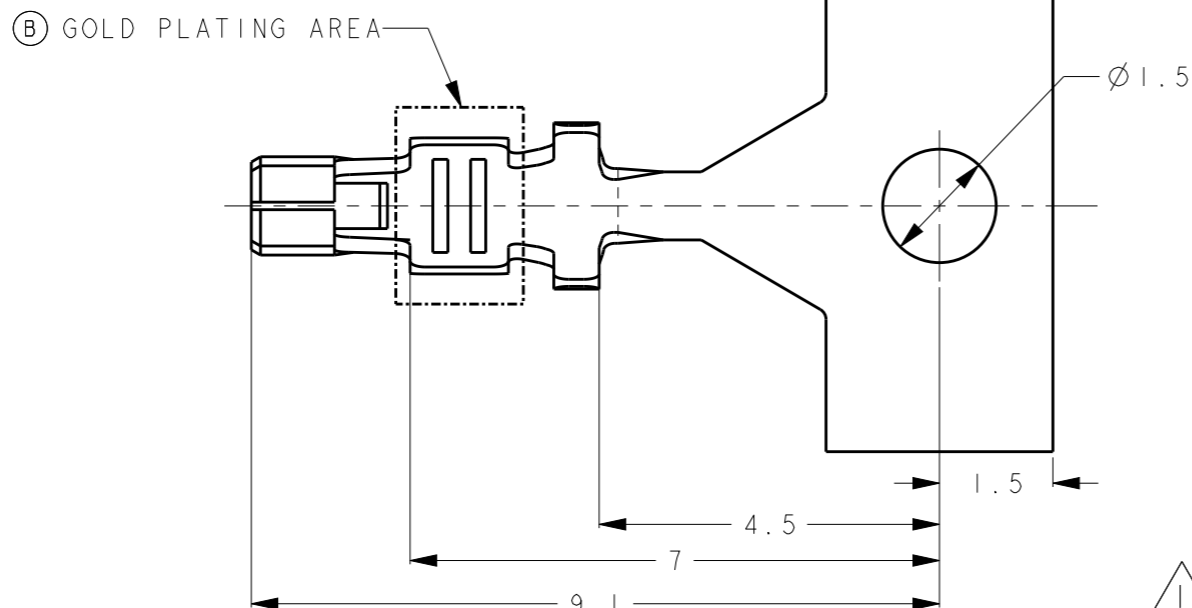
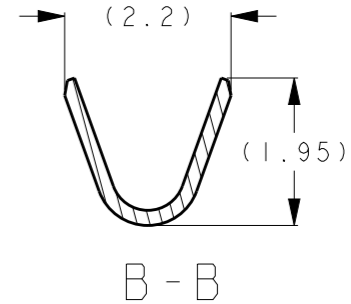
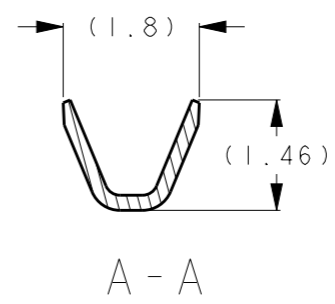
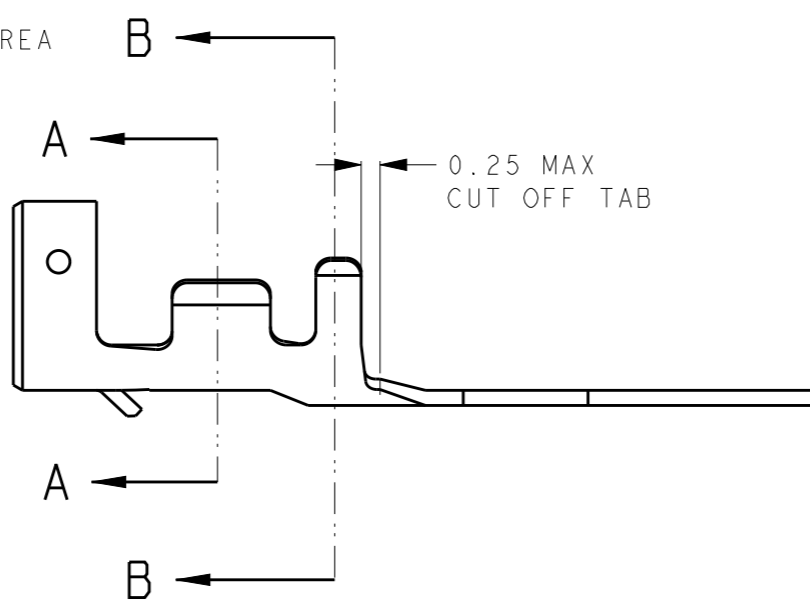
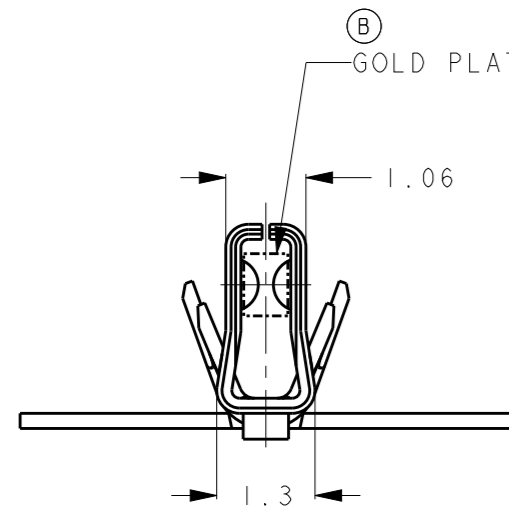


THIS DRAWING IS UNPUBLISHED. RELEASED FOR PUBLICATION 2011  
 © COPYRIGHT 2011 BY TE Connectivity ALL RIGHTS RESERVED.

LOC	DIST	REVISIONS				
P	LTR	DESCRIPTION	DATE	DWN	APVD	
-	-	A	RELEASED	11JUL2011	T.S	N.Y
		B	ECR-16-011029	03AUG2016	T.G	N.Y



- 1 MATERIAL: COPPER ALLOY
- 2 FINISH: OVER NICKEL PLATING 0.00127mm MINIMUM  
CONTACT AREA AND CRIMPING AREA 0.0002mm MINIMUM GOLD PLATING
- 3. APPLICABLE WIRE: AWG#26 TO #22 (INS DIA 1.0mm TO 1.2mm)



2174065-4  
PART NUMBER

THIS DRAWING IS A CONTROLLED DOCUMENT.		DWN T. SAMI 11JUL2011	TE Connectivity	
DIMENSIONS: mm		CHK N. YAMASAKI 11JUL2011		
TOLERANCES UNLESS OTHERWISE SPECIFIED:		APVD N. YAMASAKI 11JUL2011	NAME REC. CONTACT MICRO MOTOR PLUS	
0 PLC ± 1 PLC ±0.3 2 PLC ± 3 PLC ±3° 4 PLC ± ANGLES ±		PRODUCT SPEC 108-5864	SIZE A3	
MATERIAL 1		APPLICATION SPEC 114-5335	CAGE CODE 00779	DRAWING NO C-2174065
FINISH 2		WEIGHT 0.069g/ea	RESTRICTED TO -	
		CUSTOMER DRAWING	SCALE 10:1	SHEET 1 OF 1 REV B