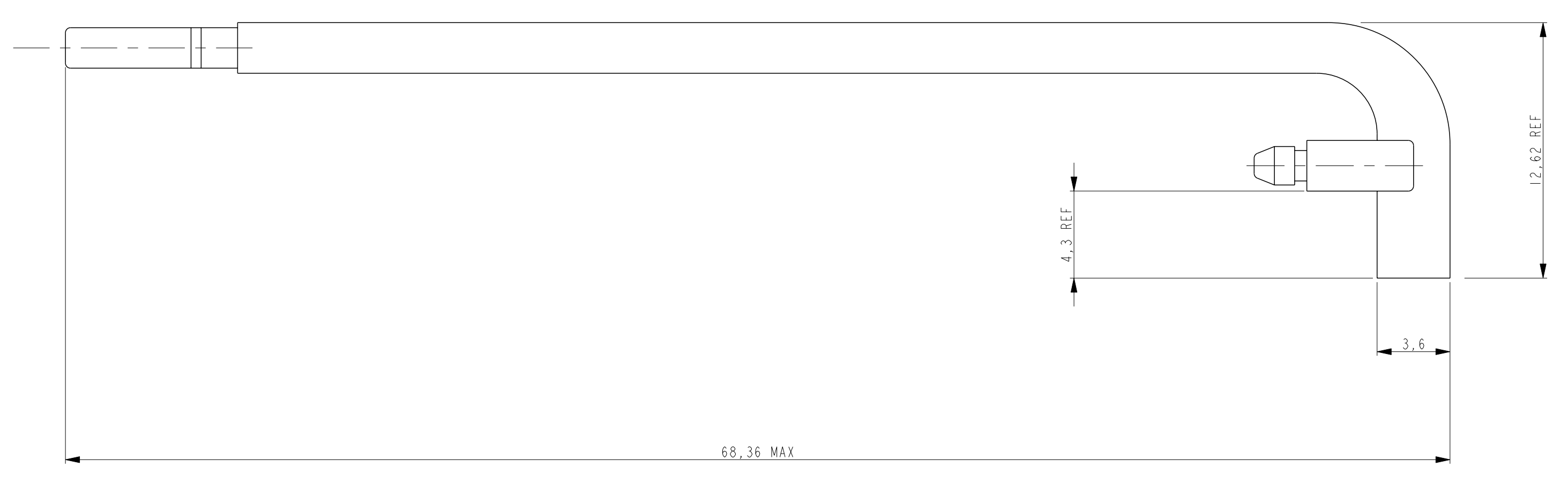
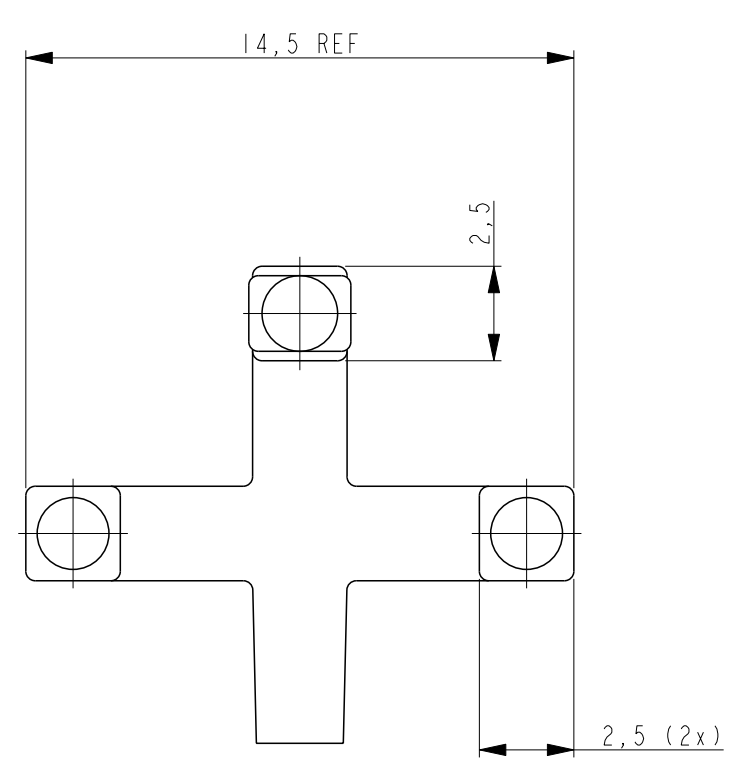
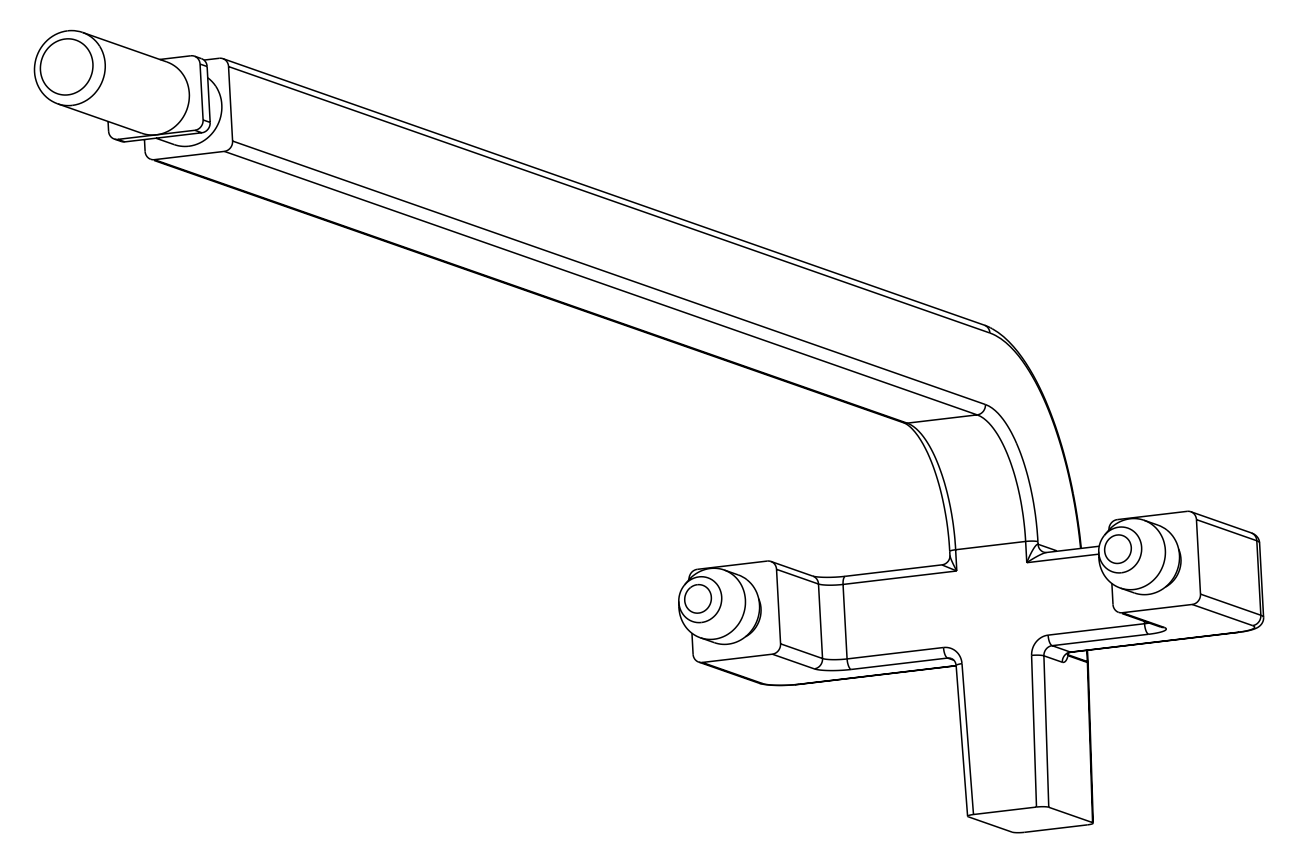


LOC	DIST	REVISIONS			
P	LTB	DESCRIPTION	DATE	DWN	APVD
H	-	I	INITIAL DRAWING	08MAR2012	JvdH TdB



NOTE:
 △ MATERIAL: POLYCARBONATE, CLEAR



PRELIMINARY PART
 NOT RELEASED FOR PRODUCTION
 THIS PRODUCT HAS NOT COMPLETED
 VALIDATION TESTING

2173481-1
 PART
 NUMBER

THIS DRAWING IS A CONTROLLED DOCUMENT.		DWN: J.V.D.HELJEDEN 07 MAR 2012	TE Connectivity
		CHK: B.MOOIJ 07 MAR 2012	
DIMENSIONS: mm		APVD: T.D.ROER 08 MAR 2012	NAME: LIGHTPIPE, SINGLE, BEHIND BEZEL, ZOSFP+
TOLERANCES UNLESS OTHERWISE SPECIFIED: 9 PLC ±0.5 1 PLC ±0.25 2 PLC ±0.1 3 PLC ± 4 PLC ± ANGLES ± FINISH -		PRODUCT SPEC	
MATERIAL: △		APPLICATION SPEC	RESTRICTED TO
		SIZE: 114-32021	SCALE: 8:1
		WEIGHT: -	SHEET 1 OF 1
		CUSTOMER DRAWING	REV